

**HYT**

**SERVICE MANUAL**  
**TWO-WAY RADIO**

**TC-508**



## Contents

Revision History .....	1
Copyright Information .....	1
Disclaimer.....	1
Introduction.....	1
Product Controls .....	2
Software Specifications .....	3
Circuit Description.....	7
CPU Pins .....	13
Parts List 1 .....	17
Tuning Description .....	72
Troubleshooting Flow Chart.....	78
Disassembly and Assembly .....	81
Exploded View .....	84
Parts List 2 .....	85
Packing Guide.....	86
PCB View .....	87
Level Diagram .....	91
Block Diagram.....	92
Schematic Diagram .....	93
Specifications .....	99

---

## **Revision History**

<b>Version</b>	<b>Date</b>	<b>Description</b>
V00	2012-01	Initial Release

## **Copyright Information**

HYT is the trademark or registered trademarks of Hytera Communications Co., Ltd. (“Hytera”) in PRC and/or other countries or areas. Hytera retains the ownership of its trademarks and product names. All other trademarks and/or product names that may be used in this manual are properties of their respective owners.

The product described in this manual may include the Company’s computer programs stored in memory or other media. Laws in PRC and/or other countries or areas protect the exclusive rights of Hytera with respect to its computer programs. The purchase of this product shall not be deemed to grant, either directly or by implication, any rights to the purchaser regarding Hytera computer programs. Any Hytera computer programs may not be copied, modified, distributed, decompiled, or reverse-engineered in any manner without the prior written consent of Hytera.

## **Disclaimer**

Hytera endeavors to achieve the accuracy and completeness of this manual, but no warranty of accuracy or reliability is given. All the specifications and designs are subject to change without prior notice due to continuous technology development. No part of this manual may be copied, modified, translated, or distributed in any manner without the express written permission of Hytera.

If you have any suggestions or would like to learn more details, please visit our website at:

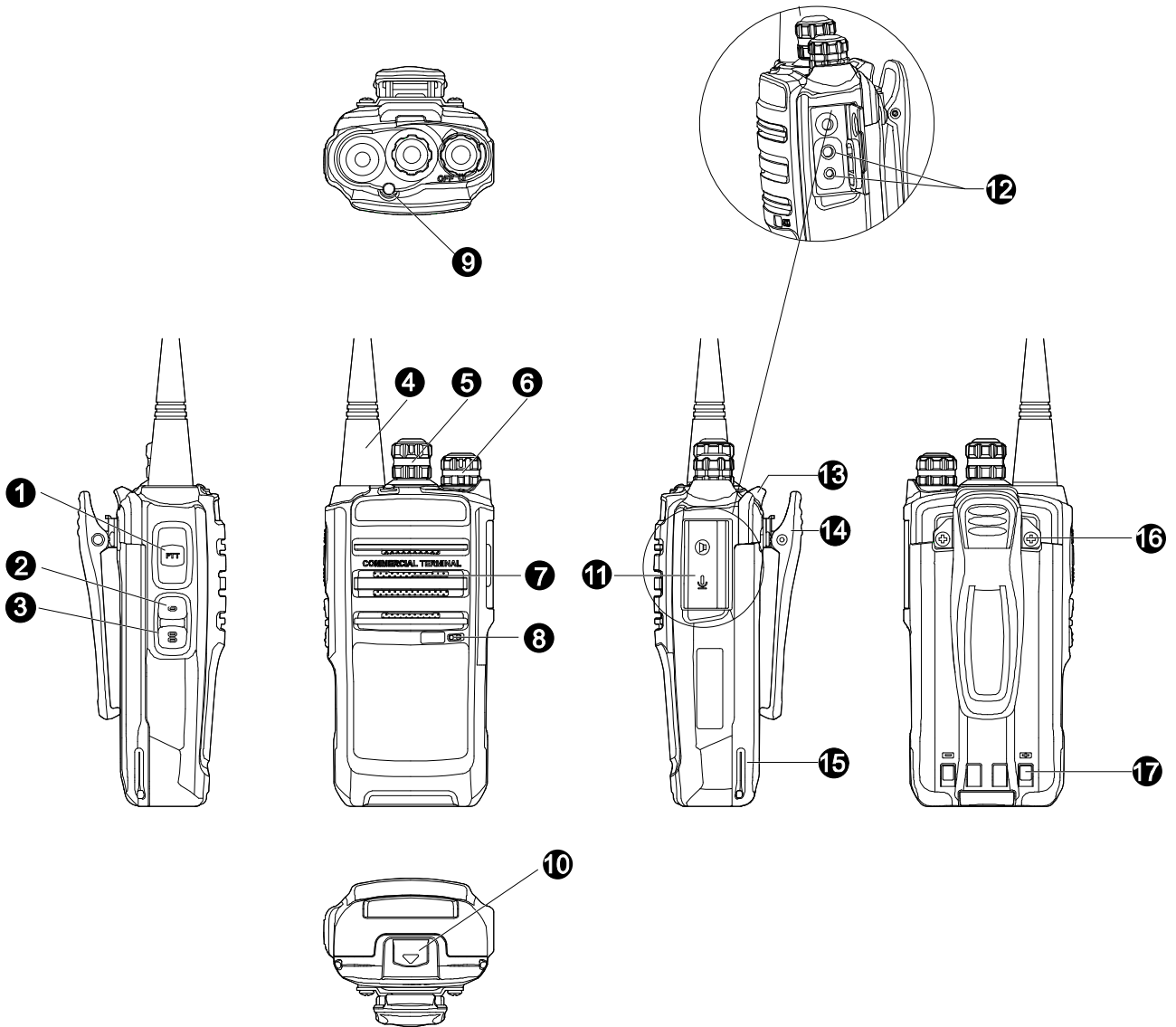
<http://www.hytera.com>.

## **Introduction**

### **Manual Scope**

This manual is intended for use by qualified technicians only.

**Product Controls**



No.	Part Name	No.	Part Name	No.	Part Name
①	PTT Key	②	SK1 (programmable)	③	SK2 (programmable)
④	Antenna	⑤	Channel Selector Knob	⑥	Radio On-Off/Volume Control Knob
⑦	Speaker	⑧	Microphone	⑨	LED Indicator
⑩	Battery Latch	⑪	Accessory Jack Cover	⑫	Accessory Jack
⑬	Strap Hole	⑭	Belt Clip	⑮	Battery
⑯	Screw	⑰	Charging Piece		

# Software Specifications

## ■ Status Indication

Operations/Functions		LED Indications and Alert Tones
Wired Clone	To enter Wired Clone Mode: Source radio: Power on the radio while holding down the <b>SK1</b> key for approximately 2 seconds. Target radio: turn it on directly.	The LED on the source radio flashes red once during the power-on process.
	Status of the source radio in Wired Clone Mode (After the target radio is turned on and the cloning cable is connected, press the <b>PTT</b> key of the source radio to begin cloning.)	The LED glows red during cloning process. Error occurs during cloning: <ul style="list-style-type: none"> <li>a. User Clone: At the start of cloning, frequency band and Model ID will be checked. The LED glows orange for 2 seconds and then goes out in presence of any check failure. If the <b>check is successfully carried out but error occurs during cloning, the LED will flash orange. In this case, press any key to turn it off.</b></li> <li>b. Factory Clone: The LED flashes orange in presence of error. In this case, press any key to turn it off.</li> </ul> The LED glows green after cloning is completed.
	Status of the target radio in Wired Clone Mode	The LED glows green during cloning. The green LED goes out after cloning is completed.
Power On (to enter User Mode)		When the radio is turned on, a power-on alert tone sounds and the LED flashes orange once. When the radio is currently on a blank channel, it sounds beep tones continuously.
Low Battery Alert		The LED flashes red, and a low-pitched tone sounds every 20 seconds (programmable by the dealer).
Transmitting		The LED glows red during transmitting. When TOT timer expires, the radio sounds beep tone continuously. A TOT pre-alert tone sounds before the TOT timer expires.
Receiving		The LED glows green during receiving.
Scan		The LED flashes green once per second during scanning. Scan Start Alert (programmable by the dealer): one beep will sound. Scan End Alert (programmable by the dealer): two continuous beeps will sound.

Writing/Reading	The LED glows red when the PC is reading data from the radio. The LED glows green when the PC is writing data into the radio.
Power Adjustment	A low-pitched tone sounds when the radio switches from high power to low power. A high-pitched tone sounds when the radio switches from low power to high power.
VOX / Channel Lock / Monitor	One beep tone for enabling; Two beep tones for disabling.

**■ Description of Modes**

**User Mode**

It is a conventional communication mode. The radio will enter this mode by default after power-on.

**PC Programming Mode**

The radio in User Mode enters PC Programming Mode through specific protocol based communication with the programming software. In this mode, radio functions and tuning parameters can be set through the programming software (including User Version and Factory Version).

**Wired Clone Mode**

1. Description

Wired Clone Mode is an independent mode. To access other modes, you must restart the radio.

Wired Clone Mode includes Clone Mode and Factory Clone Mode.

1) Clone Mode:

Connect two radios using a cloning cable. Power on the source radio while holding down the **SK1** key; and it will enter Clone Mode in approximately 2 seconds. The target radio can be directly turned on to enter the User Mode. In this mode, data stored in EEPROM of the source radio will be cloned to EEPROM of the target radio. The data transferred only involves channel data and common parameters, excluding tuning data, version and serial No. of the model.

2) Factory Clone Mode:

Connect two radios using a cloning cable. Power on the source radio while holding down the **SK1** key, and it will enter User Clone Mode by default in approximately 2 seconds. Afterwards press the **SK1** key again to switch to the Factory Clone Mode. As for the target radio, directly power it on to enter the User Mode. The data transferred covers all data in EEPROM (including settings for the Manual Tune Switch), other than the serial No.

2. Process

- 1) The LED flashes red once after the source radio enters the Wired Clone mode. Press the **PTT** key to begin to clone data to the target radio.

- 2) During cloning, the LED of the source radio glows red, and the LED of the target radio glows green. When cloning finishes, both LEDs go out, indicating that both radios are ready for another cloning.
- 3) If any abnormal situation occurs during cloning, the source radio will stop cloning and its LED will flash orange, indicating that it is ready for another cloning.
- 4) When cloning ends, the source radio goes back to standby status. Press the **PTT** key again to begin another cloning operation.

### **Manual Tune Mode**

In this mode, you can manually tune the frequency deviation, power level and squelch level and etc.

Description of Tuning:

#### **1. To enter Manual Tune Mode**

Hold down the **PTT** and **SK1** key for 2 seconds while powering on the radio. The LED glows orange to indicate that the radio has entered the Manual Tune Mode. After the keys are released, the radio directly enters the TX group by default (the tuning item depends on the position where the **Channel Selector** knob locates).

(Note: To enter the Manual Tune Mode, make sure its switch is set to Open via the programming software. If this switch is set to Close, the radio cannot enter this mode, which helps avoid change of parameters and degradation of radio performance caused by user's misoperations.. Keep this option unchecked after values are well adjusted from factory, to avoid any unexpected change of values. Such values can only be reset and changed in Manual Tune Mode only. )

#### **2. To switch between TX tuning items and RX tuning items**

Rotate the **Channel Selector** knob to switch between TX tuning items and RX tuning items.

The LED glows red for TX tuning items and green for RX tuning items.

#### **3. To switch between tuning items within TX group/RX group**

TX group: CH1 to CH9 respectively represent TX Low Power, TX High Power, CDCSS Balance, CDCSS Deviation, CTCSS Deviation (low), CTCSS Deviation (medium), CTCSS Deviation (high), TX Low Voltage Threshold and Max. TX Audio Deviation.

The LED solidly glows red during TX group tuning (CH1 to CH9).

RX group: CH10 to CH13 respectively represent SQL Normal Open, SQL Normal Close, RX Low Voltage Threshold and Bandpass Filter.

The LED solidly glows green during RX group tuning (CH10 to CH13).

The LED goes out upon invalid items (CH14 to CH16).

#### **4. To switch between wide and narrow band**

Under a certain tuning item, long press the **PTT** key (the LED flashes orange to indicate valid press) to switch between wide and narrow bands. After the band is selected, the first frequency of the current band is the frequency for tuning by default.

#### **5. To switch the frequency**

Under a certain band, short press the **PTT** key (the LED flashes green to indicate valid press) to switch the frequency orderly.

#### **6. To tune the value**

Under a certain band, short press the **SK1** key to increase the value in step of 1, or hold down this key to increase the value continuously in steps of 1. The value will remain unchanged once it reaches the allowed maximum value.

Short press the **SK2** key to decrease the value in step of 1, or hold down this key to decrease the value continuously in steps of 1. The value will remain unchanged once it reaches the allowed minimum value.

#### **7. About several special items**

TX group: CH8 represents TX Low Voltage Threshold, which is related to AD sampling. Press the **SK1** or **SK2** key after entering the above item, to activate AD sampling (including calculation) once.

Rotate the **Channel Selector** knob to save the current AD sampling value.

RX group: CH10 to CH12 represent SQL Normal Open, SQL Normal Close and RX Low Voltage Threshold respectively, which are related to AD sampling. Press the **SK1** or **SK2** key after entering the above items, to activate AD sampling (including calculation) once. Rotate the

**Channel Selector** knob to save the current AD sampling value.

#### **8. About the Key-press**

Short press: key-press time shorter than 1 second;

Long press: key-press time longer than 1 second.



# Circuit Description

## 1. General Principle Diagram

The general circuit is composed of TX circuit, RX circuit, power supply circuit, control circuit and etc. See the block diagram below:

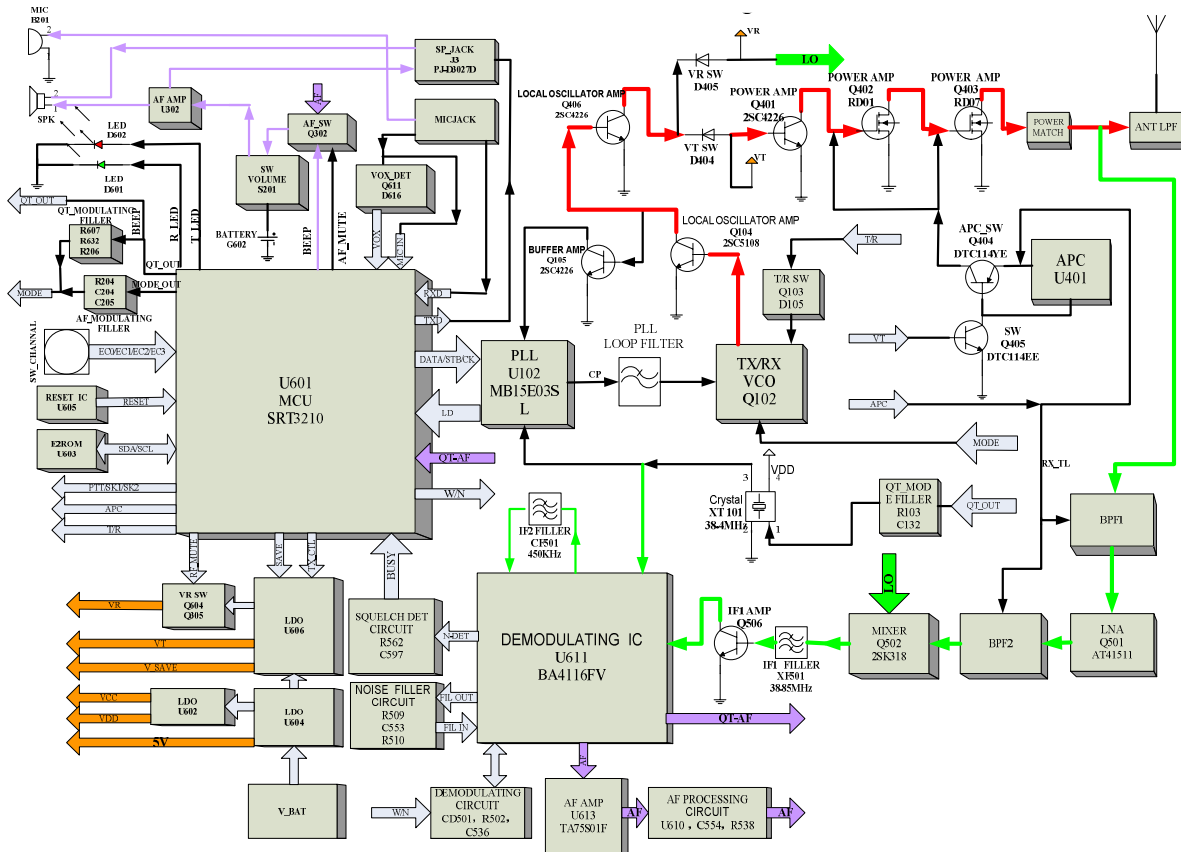


Figure 1

**TX Section:** The audio signal from MIC is sent to the MCU chip (U601) directly. The baseband signal processing circuit in U601 converts the amplified audio signal to digital signal via A/D conversion, and then converts the digital signal to analog audio signal via D/A conversion after all processing procedures such as filtering, signal compression, encryption, pre-emphasis, TX gain control and amplitude limiting are completed. Then the analog audio signal from MCU passes through the low-pass filter circuit and directly goes to VCO for frequency modulation. The modulated HF carrier signal passes through the buffer amplifiers (Q104 and Q406), and goes to the amplifier (Q401) through the RF switch (D404). Then the amplified RF signal enters the low-pass filter circuit after it is further amplified by the pre-driver (Q402) and final-stage power amplifier (Q403), and then it will be finally transmitted via antenna after ultra harmonics is removed.

**RX Section:** RF signals received via the antenna are fed to the band-pass filter to filter out undesired out-of-band interference signal. Then the remaining RF signals are amplified by LNA Q501. Afterwards, the amplified signal goes through the bandpass filter again to filter out undesired out-of-band interference signal. Next, the RF signals will be mixed with the first local oscillator signal at Q502. Then

the newly generated signals will be processed by crystal filter XF501 to produce 38.85M the first IF signal. After being amplified, the IF signal goes via Q506 to the chip U611, where the IF signal will be mixed with the second local oscillator for the second time to produce the 450KHZ second IF signal. After filtered by 450KHZ ceramic filter, U611 demodulates the IF signal to output audio signal, which will be delivered to Q613 for amplification and output in two channels. After simple filtering, one of the channels is fed to MCU U601 for CTCSS/CDCSS decoding; For the other channel, it goes through two stages of low-pass filter first, and then it goes to high-pass filter (consisting of 4 operational amplifiers) for audio processing. Finally, the signals will be sent to audio power amplifier U302 for amplification so as to drive the speaker.

Power Supply Section: The 7.4V battery voltage is converted to 5V via DC-DC module U604, and further converted via LDO U602 to 3V including two channels: VCC and VDD. VCC powers CPU and VDD powers PLL circuit. The 5V voltage will be converted via LDO U606 to 4.5V including two channels: VT and V-SAVE. V-SAVE powers VCO circuit and VT powers TX circuit. Finally, V-SAVE controlled by Q604 and Q305 outputs VR, which supplies RX circuit.

**2. Realization Methods of Basic Functional Modules**

**2.1 PLL Frequency Synthesizer**

The PLL circuit mainly provides the first local oscillator signal (for RX) and RF carrier signal (for TX). It is composed of VCO and PLL chip, allowing frequency tracking and channel switching under the control of MCU signals.

**1) PLL**

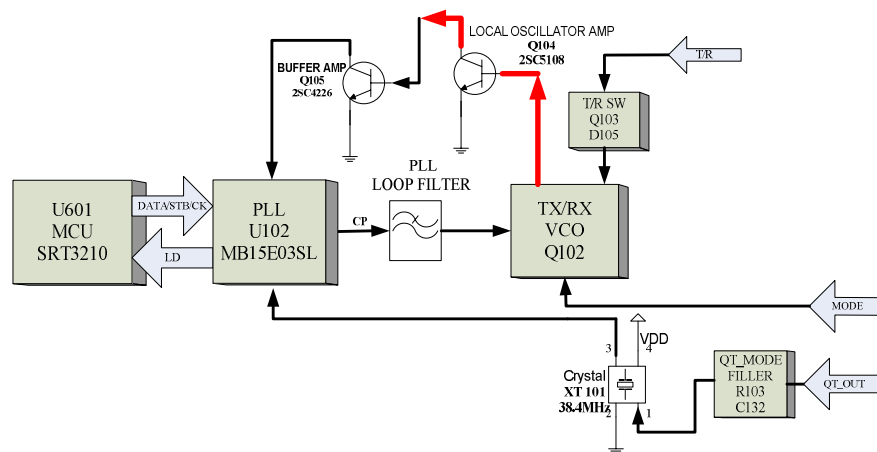


Figure 2

The step frequency of PLL circuit is 5 KHz or 6.25 KHz. In U101, the 38.4MHz reference oscillator signal is divided into 5 KHz or 6.25 KHz reference frequency via a fixed counter in PLL. The signal from VCO enters the PLL after processed by the buffer amplifier, and then it is applied to the variable frequency divider in PLL for division. After division, the signal is compared with the reference frequency at the phase detector (PD) in PLL. The signal from the PD passes through a low-pass filter and then is applied to the varactors (D101 and D102) of VCO to control the output frequency. Then the RF signal is processed by the buffer amplifiers (Q104 and Q406), and controlled by D404 and D405 to only serve as

TX signal or RX first local oscillator signal.

**2) VCO**

The VCO section is realized by the three-point capacitor oscillator circuit. TX VCO and RX VCO share the same oscillator circuit. Q103 controls the switch between TX VCO and RX VCO.

Note: If the PLL is unlocked, the LD pin of U101 outputs low level. If the microprocessor detects such situation, TX/RX operation is prohibited, and an alarm sounds.

**2.2 RF Power Amplifier Circuit (TX Section)**

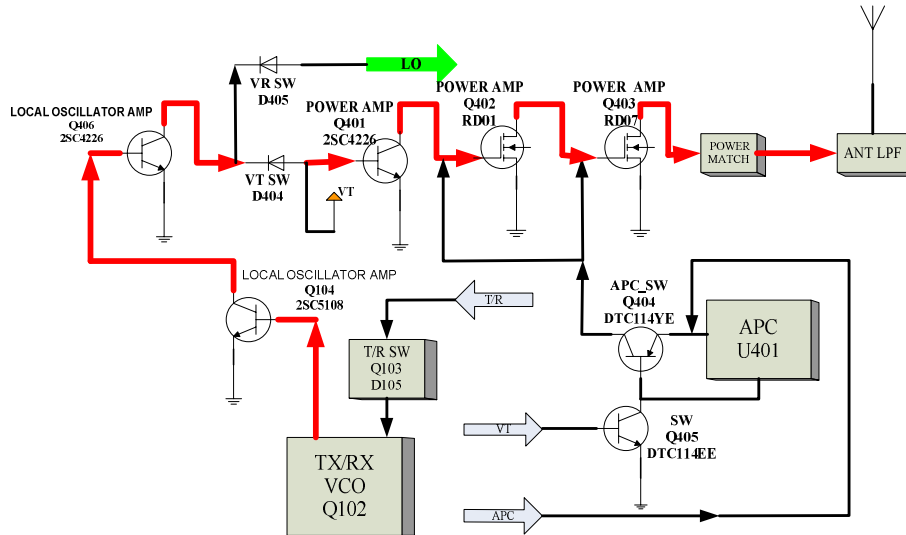


Figure 3

The modulated carrier signal from VCO is pre-amplified at Q104 and Q406, and controlled at D404 and D405. Then it is amplified by the front-stage amplifier Q401, the pre-driver Q402 and the final-stage amplifier Q403 orderly. Finally it goes to the LC low-pass filter (LPF) and is transmitted from the antenna after high-order harmonics are removed by LPF.

APC circuit is composed of Q404, Q405 and U401. U401 controls the bias voltage at the gates of Q402 and Q403, to control TX current and to further regulate power.

**2.3 RX LNA and Mixer Circuit (RX Section)**

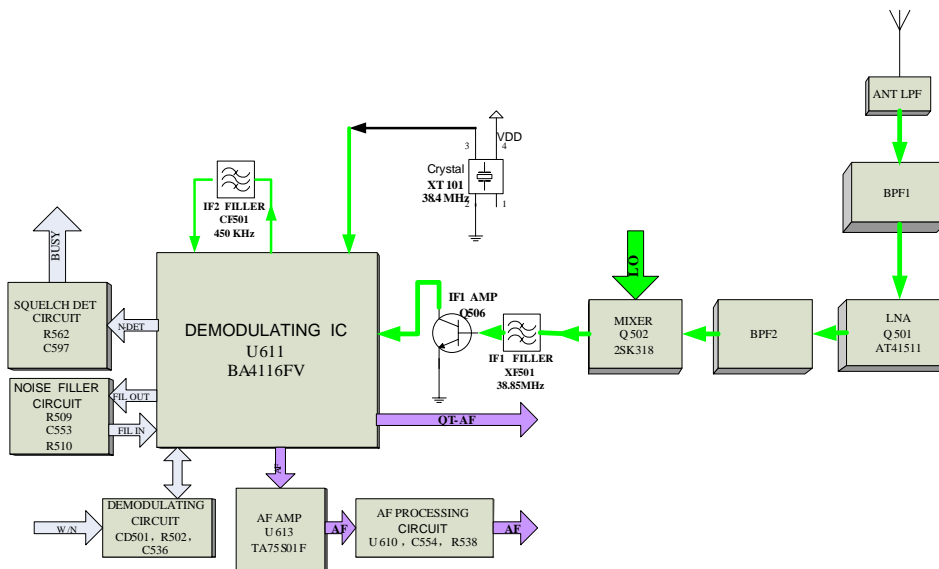


Figure 4



### 1) MCU Control Circuit

MCU control circuit is composed of MCU, EEPROM, and keys, etc. This section has the following functions: to initialize data of the radio and save data to EEPROM; to detect battery voltage and signals from external keys, LD and VOX, and to make response; to transmit required data to PLL based on the channel encoding status; to switch and control RX/TX based on the input PTT signal; to switch the squelch circuit on/off based on the input signaling decode signal and squelch level signal; to control circuits of high/low power switch, audio power amplifier, VCO power supply, RX power supply and TX power supply; (for programming) to communicate with PC via RXD/TXD based on the RS232 protocol, and transmit/receive data to/from PC.

### 2) Signal Processing Circuit

#### a. TX Baseband Processing

The audio signals input from MIC are divided into two parts. One part enters U601, and is then converted into digital signal by analog-to-digital conversion (ADC). Afterwards, the converted signal will go through a series of processing including low-pass filtering, AGC, companding, high-pass filtering, encrypting and pre-emphasizing, and then it will be output as baseband signal after digital-to-analog conversion (DAC). The baseband signal is processed by the active low-pass filter and then sent to VCO for modulation; for the other part, it will go through VOX circuit (Q611 and D616) and then sent to MCU for VOX processing.

#### b. RX Baseband Process

The demodulated IF signals with CTCSS/CDCSS signaling enter U601 for decoding. After analog-to-digital conversion, the IF signals will be converted into digital signals, which go to low-pass filter for filtering and then are divided into two parts. One part is processed by CTCSS/CDCSS decoder, and the other is processed by high-pass filter and then is subject to de-emphasis, decryption, signal expansion etc, and finally digital-to-analog conversion to output audio signal.

### 3) Audio Power Amplifier

The audio signal output from U601 is amplified by the audio power amplifier (U302) to drive the speaker directly.

**2.5 Power Supply Section**

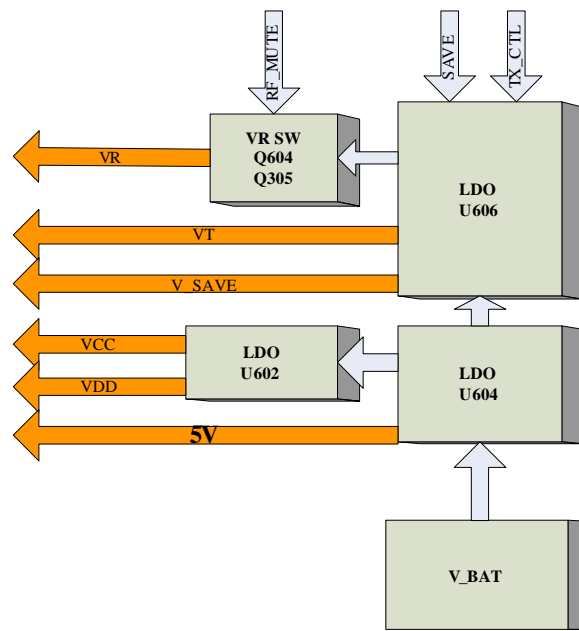


Figure 6

Power Supply Section: The 7.4V battery voltage is converted to 5V via DC-DC module U604, and further converted via LDO U602 to 3V including two channels: VCC and VDD. VCC powers CPU and VDD powers PLL circuit. The 5V voltage will be converted via LDO U606 to 4.5V including two channels: VT and V-SAVE. V-SAVE powers VCO circuit and VT powers TX circuit. Finally, V-SAVE controlled by Q604 and Q305 outputs VR, which supplies RX circuit.

**CPU Pins**

Pin No.	Port Name	Pin Name	I/O	Function
1	NC	/	/	/
2	NC	/	/	/
3	NC	/	/	/
4	NC	/	/	/
5	NC	/	/	/
6	TXD	TXD	O	UART TxD
7	RXD	RXD	I	UART RxD
8	P60	APA_EN	O	Speaker control pin (H: on; L: off)
9	P61	SAVE_CTL	O	Battery save control pin. In non-battery-save status, it is set to high level.
10	P62	EXT MIC	I	For checking MIC connection (valid at high level)
11	P63	EXT PTT	I	Earpiece PTT input pin (valid at high level)
12	P64	Red LED	O	Red LED indicator pin
13	P65	Green LED	O	Green LED indicator pin
14	P66	R/T	O	For TX/RX control (H: RX; L: TX)
15	P67	RX_CTRL	O	For RX power control (valid at high level)
16	Vssd	GND	S	Power ground for digital circuit
17	Vddd	VCC (3.0V)	S	Power supply for digital circuit
18	P50/INT0	Reserve	O	Reserved
19	P51/INT1	Reserve	O	Reserved
20	P52/INT2	Reserve	O	Reserved
21	P53/INT3	SK2	I	Programmable SK2 pin (valid at low level, connected with pull-up resistor)
22	P54/INT4	SK1	I	Programmable SK1 pin (valid at low level, connected with pull-up resistor)
23	P55/INT5	PTT	I	PTT key pin (valid at low level, connected with pull-up resistor)
24	P56/INT6	Reserve	O	Reserved
25	P57/INT7	Reserve	O	Reserved
26	Vdd_CLD	VCC (3.0V)	S	Power supply for digital power amplifier
27	CLD_OUTP	CLD_OUTP	O	Positive output of digital power amplifier
28	VSS_CLD	GND	S	Power ground for digital power amplifier

29	CLD_OUTM	Reserve	O	Negative output of digital power amplifier
30	Vdd_CLD	VCC (3.0V)	S	Power supply for digital power amplifier
31	P77	Reserve	O	Reserved
32	P76/DAC1	APC/TU	DA	TX power control/ RX bandpass control pin
33	P75/VREF	VCC(3.0V)	I	ADC and DAC reference voltage input pin
34	P74/DAC0	QT_OUT	DA	CTCSS/CDCSS output pin
35	P73/AD3	VOX	AD	For detecting VOX
36	Vssa	GND	S	Power ground for analog circuit
37	Vdda	VCC (3.0V)	S	Power supply for analog circuit
38	P72/AD2	Reserve	AD	Reserved
39	P71/AD1	SQL	AD	For detecting noise
40	P70/AD0	BAT_DET	AD	For detecting battery strength
41	XTAL0	OSC0		For connecting 32.678KHz main crystal oscillator
42	XTAL1	OSC1		
43	PLL_CAP	PLL_CAP		For connecting PLL external capacitor (10nF)
44	NC	/	/	/
45	NC	/	/	/
46	NC	/	/	/
47	NC	/	/	/
48	NC	/	/	/
49	P03/COM3	VOICE_DATA	O	Voice IC data pin
50	P02/COM2	VOICE_BUSY	I	Voice IC feedback pin
51	P01/COM1	VOICE_CLK	O	Voice IC clock pin
52	P00/COM0	VOICE_RESET	O	Voice IC reset pin
53	P10/SEG0	Reserve	O	Reserved
54	P11/SEG1	Reserve	O	Reserved
55	P12/SEG2	RX_MUTE	O	RX circuit control pin (H: On)
56	P13/SEG3	LD	I	For detecting PLL unlock (H: locked; L: unlocked) (connected with pull-up resistor)
57	P14/SEG4	Reserve	O	Reserved
58	P15/SEG5	Reserve	O	Reserved
59	P16/SEG6	Reserve	O	Reserved



60	P17/SEG7	Reserve	O	Reserved
61	P20/SEG8	EN0	I	For detecting encode switch input
62	P21/SEG9	EN1	I	
63	P22/SEG10	EN2	I	
64	P23/SEG11	EN3	I	
65	P24/SEG12	Reserve	O	Reserved
66	P25/SEG13	Reserve	O	Reserved
67	P26/SEG14	Reserve	O	Reserved
68	P27/SEG15	Reserve	O	Reserved
69	P30/SEG16	Reserve	O	Reserved
70	P31/SEG17	Reserve	O	Reserved
71	NC	/	/	/
72	NC	/	/	/
73	NC	/	/	/
74	NC	/	/	/
75	NC	/	/	/
76	P32/SEG18	Reserve	O	Reserved
77	P33/SEG19	Reserve	O	Reserved
78	P34/SEG20	Reserve	O	Reserved
79	P35/SEG21	Reserve	O	Reserved
80	P36/SEG22	Reserve	O	Reserved
81	P37/SEG23	Reserve	O	Reserved
82	P40/SEG24	Reserve	O	Reserved
83	P41/SEG25	SCL	O	EEPROM clock pin (connected with pull-up resistor)
84	P42/SEG26	SDA	O	EEPROM data pin (connected with pull-up resistor)
85	P43/SEG27	W/N	O	Wide/ narrow band control pin (H: wide; L: narrow)
86	P44/SEG28	LE	O	PLL enable pin
87	P45/SEG29	DATA	O	PLL data pin
88	P46/SEG30	CK	O	PLL clock pin
89	Vssd	GND	S	Power ground for digital circuit
90	Vddd	VCC (3.0V)	S	Power supply for digital circuit

91	SW_P0	Reserve	O	Reserved
92	SW_P1	TX_CTRL	O	TX power control pin (H: Transmit)
93	RESET	RESET	I	Reset input pin
94	Vssa	GND	S	Power ground for analog circuit
95	Vdda	VCC (3.0V)	S	Power supply for analog circuit
96	BG_REF		O	Reference voltage output pin
97	MIC_IN	MIC_IN	I	Microphone input pin
98	DEMODE	DEMODE	I	Baseband signal input pin (audio and CTCSS)
99	MODOUT	MODOUT	O	Baseband signal output pin (audio and CTCSS)
100	NC	/	/	/

**Parts List 1**

**UHF1: 400-420MHz**

No.	Part No.	Description	Qty	Ref No.	Print No.
1	3001050000000	Chip resistor 0Ω J 1/16W (RoHS)	1	R222	B5I
2	3001050000000	Chip resistor 0Ω J 1/16W (RoHS)	1	R402	T4F
3	3001050000000	Chip resistor 0Ω J 1/16W (RoHS)	1	R442	B3E
4	3001050000000	Chip resistor 0Ω J 1/16W (RoHS)	1	R511	T3E
5	3001050000000	Chip resistor 0Ω J 1/16W (RoHS)	1	R533	T2G
6	3001050000000	Chip resistor 0Ω J 1/16W (RoHS)	1	R554	T3I
7	3001051000020	Chip resistor 10Ω F 1/16W (RoHS)	1	R108	T4I
8	3001051000020	Chip resistor 10Ω F 1/16W (RoHS)	1	R111	T5I
9	3001051000020	Chip resistor 10Ω F 1/16W (RoHS)	1	R315	B1A
10	3001051000020	Chip resistor 10Ω F 1/16W (RoHS)	1	R323	B1F
11	3001051000020	Chip resistor 10Ω F 1/16W (RoHS)	1	R408	T5F
12	3001051000020	Chip resistor 10Ω F 1/16W (RoHS)	1	R530	T2J
13	3001051000020	Chip resistor 10Ω F 1/16W (RoHS)	1	R534	T3J
14	3001051010000	Chip resistor 100Ω J 1/16W (RoHS)	1	R101	T5I
15	3001051010000	Chip resistor 100Ω J 1/16W (RoHS)	1	R119	T4F
16	3001051010000	Chip resistor 100Ω J 1/16W (RoHS)	1	R123	T3G
17	3001051010000	Chip resistor 100Ω J 1/16W (RoHS)	1	R429	T3G
18	3001051010000	Chip resistor 100Ω J 1/16W (RoHS)	1	R531	T3I
19	3001051010000	Chip resistor 100Ω J 1/16W (RoHS)	1	R604	B4I
20	3001051010000	Chip resistor 100Ω J 1/16W (RoHS)	1	R605	B4A
21	3001051010000	Chip resistor 100Ω J 1/16W (RoHS)	1	R614	B1C
22	3001051010000	Chip resistor 100Ω J 1/16W (RoHS)	1	R623	B2I
23	3001051020000	Chip resistor 1KΩ F 1/16W (RoHS)	1	R109	T4H
24	3001051020000	Chip resistor 1KΩ F 1/16W (RoHS)	1	R114	T4G
25	3001051020000	Chip resistor 1KΩ F 1/16W (RoHS)	1	R121	T4I
26	3001051020000	Chip resistor 1KΩ F 1/16W (RoHS)	1	R211	T1E
27	3001051020000	Chip resistor 1KΩ F 1/16W (RoHS)	1	R214	B2H
28	3001051020000	Chip resistor 1KΩ F 1/16W (RoHS)	1	R313	B3D
29	3001051020000	Chip resistor 1KΩ F 1/16W (RoHS)	1	R319	T1I
30	3001051020000	Chip resistor 1KΩ F 1/16W (RoHS)	1	R322	B2E
31	3001051020000	Chip resistor 1KΩ F 1/16W (RoHS)	1	R327	T1I
32	3001051020000	Chip resistor 1KΩ F 1/16W (RoHS)	1	R609	T2D
33	3001051020000	Chip resistor 1KΩ F 1/16W (RoHS)	1	R621	B2B
34	3001051020000	Chip resistor 1KΩ F 1/16W (RoHS)	1	R626	T2D
35	3001051020000	Chip resistor 1KΩ F 1/16W (RoHS)	1	R644	T3I
36	3001051020000	Chip resistor 1KΩ F 1/16W (RoHS)	1	R650	B1H
37	3001051020000	Chip resistor 1KΩ F 1/16W (RoHS)	1	R683	T1D
38	3001051020000	Chip resistor 1KΩ F 1/16W (RoHS)	1	R684	T4H
39	3001051020000	Chip resistor 1KΩ F 1/16W (RoHS)	1	R690	B4J

No.	Part No.	Description	Qty	Ref No.	Print No.
40	3001051020000	Chip resistor 1KΩ F 1/16W (RoHS)	1	R691	B4J
41	3001051020000	Chip resistor 1KΩ F 1/16W (RoHS)	1	R692	B3J
42	3001051020000	Chip resistor 1KΩ F 1/16W (RoHS)	1	R693	B3J
43	3001051020000	Chip resistor 1KΩ F 1/16W (RoHS)	1	R696	B4J
44	3001051020000	Chip resistor 1KΩ F 1/16W (RoHS)	1	R697	B4J
45	3001051020000	Chip resistor 1KΩ F 1/16W (RoHS)	1	R698	B4J
46	3001051030000	Chip resistor 10KΩ J 1/16W (RoHS)	1	R103	T5I
47	3001051030000	Chip resistor 10KΩ J 1/16W (RoHS)	1	R107	T4H
48	3001051030000	Chip resistor 10KΩ J 1/16W (RoHS)	1	R208	B2H
49	3001051030000	Chip resistor 10KΩ J 1/16W (RoHS)	1	R219	B1F
50	3001051030000	Chip resistor 10KΩ J 1/16W (RoHS)	1	R314	T1I
51	3001051030000	Chip resistor 10KΩ J 1/16W (RoHS)	1	R413	T3F
52	3001051030000	Chip resistor 10KΩ J 1/16W (RoHS)	1	R428	B4E
53	3001051030000	Chip resistor 10KΩ J 1/16W (RoHS)	1	R430	T3G
54	3001051030000	Chip resistor 10KΩ J 1/16W (RoHS)	1	R433	T3F
55	3001051030000	Chip resistor 10KΩ J 1/16W (RoHS)	1	R616	B2I
56	3001051030000	Chip resistor 10KΩ J 1/16W (RoHS)	1	R617	B2I
57	3001051040000	Chip resistor 100KΩ F 1/16W (RoHS)	1	R113	T5F
58	3001051040000	Chip resistor 100KΩ F 1/16W (RoHS)	1	R120	T4I
59	3001051040000	Chip resistor 100KΩ F 1/16W (RoHS)	1	R213	B2H
60	3001051040000	Chip resistor 100KΩ F 1/16W (RoHS)	1	R513	T3E
61	3001051040000	Chip resistor 100KΩ F 1/16W (RoHS)	1	R517	T2F
62	3001051040000	Chip resistor 100KΩ F 1/16W (RoHS)	1	R518	T2F
63	3001051040000	Chip resistor 100KΩ F 1/16W (RoHS)	1	R521	T2E
64	3001051040000	Chip resistor 100KΩ F 1/16W (RoHS)	1	R522	T3E
65	3001051040000	Chip resistor 100KΩ F 1/16W (RoHS)	1	R526	T2E
66	3001051040000	Chip resistor 100KΩ F 1/16W (RoHS)	1	R603	B5I
67	3001051050000	Chip resistor 1MΩ F 1/16W (RoHS)	1	R218	B1F
68	3001051050000	Chip resistor 1MΩ F 1/16W (RoHS)	1	R405	B4E
69	3001051050000	Chip resistor 1MΩ F 1/16W (RoHS)	1	R435	B3E
70	3001051050000	Chip resistor 1MΩ F 1/16W (RoHS)	1	R501	T2H
71	3001051230000	Chip resistor 12KΩ J 1/16W (RoHS)	1	R206	B4I
72	3001051230000	Chip resistor 12KΩ J 1/16W (RoHS)	1	R224	B5I
73	3001051230000	Chip resistor 12KΩ J 1/16W (RoHS)	1	R512	T3E
74	3001051230000	Chip resistor 12KΩ J 1/16W (RoHS)	1	R544	T3J
75	3001051510000	Chip resistor 150Ω J 1/16W (RoHS)	1	R115	T4G
76	3001051530000	Chip resistor 15KΩ J 1/16W (RoHS)	1	R543	T4J
77	3001051540020	Chip resistor 150KΩ J 1/16W (RoHS)	1	R523	T1F
78	3001051540020	Chip resistor 150KΩ J 1/16W (RoHS)	1	R545	T3J
79	3001051820000	Chip resistor 1.8KΩ J 1/16W (RoHS)	1	R414	T4E
80	3001051220000	Chip resistor 1.2KΩ J 1/16W (RoHS)	1	R529	T1G
81	3001051840000	Chip resistor 180KΩ J 1/16W (RoHS)	1	R528	T2G
82	3001052200000	Chip resistor 22Ω J 1/16W (RoHS)	1	R651	B1H

No.	Part No.	Description	Qty	Ref No.	Print No.
83	3001052210000	Chip resistor 220Ω J 1/16W (RoHS)	1	R126	T3G
84	3001052210000	Chip resistor 220Ω J 1/16W (RoHS)	1	R201	B1F
85	3001052210000	Chip resistor 220Ω J 1/16W (RoHS)	1	R516	T1G
86	3001052210000	Chip resistor 220Ω J 1/16W (RoHS)	1	R519	T3E
87	3001052220010	Chip resistor 2.2KΩ F 1/16W (RoHS)	1	R202	B1F
88	3001052220010	Chip resistor 2.2KΩ F 1/16W (RoHS)	1	R216	B2H
89	3001052220010	Chip resistor 2.2KΩ F 1/16W (RoHS)	1	R310	B2D
90	3001052220010	Chip resistor 2.2KΩ F 1/16W (RoHS)	1	R507	T2H
91	3001052220010	Chip resistor 2.2KΩ F 1/16W (RoHS)	1	R510	T3J
92	3001052230010	Chip resistor 22KΩ J 1/16W (RoHS)	1	R215	B2H
93	3001052230010	Chip resistor 22KΩ J 1/16W (RoHS)	1	R560	T3I
94	3001052240000	Chip resistor 220KΩ J 1/16W (RoHS)	1	R439	B4E
95	3001052240000	Chip resistor 220KΩ J 1/16W (RoHS)	1	R509	T3H
96	3001052240000	Chip resistor 220KΩ J 1/16W (RoHS)	1	R562	T2I
97	3001052240000	Chip resistor 220KΩ J 1/16W (RoHS)	1	R602	B5I
98	3001052240000	Chip resistor 220KΩ J 1/16W (RoHS)	1	R649	B1H
99	3001052710000	Chip resistor 270Ω F 1/16W (RoHS)	1	R537	T2G
100	3001053310000	Chip resistor 330Ω F 1/16 (RoHS)	1	R409	T4F
101	3001053310000	Chip resistor 330Ω F 1/16 (RoHS)	1	R432	T3G
102	3001052720010	Chip resistor 2.7KΩ F 1/16W (RoHS)	1	R502	T3I
103	3001052720010	Chip resistor 2.7KΩ F 1/16W (RoHS)	1	R504	T3I
104	3001053320000	Chip resistor 3.3KΩ J 1/16W (RoHS)	1	R110	T4H
105	3001053320000	Chip resistor 3.3KΩ J 1/16W (RoHS)	1	R203	B2H
106	3001053320000	Chip resistor 3.3KΩ J 1/16W (RoHS)	1	R204	B2H
107	3001053320000	Chip resistor 3.3KΩ J 1/16W (RoHS)	1	R431	T3G
108	3001053320000	Chip resistor 3.3KΩ J 1/16W (RoHS)	1	R536	T3I
109	3001053320000	Chip resistor 3.3KΩ J 1/16W (RoHS)	1	R538	T3I
110	3001053320000	Chip resistor 3.3KΩ J 1/16W (RoHS)	1	R561	T3I
111	3001053330010	Chip resistor 33KΩ J 1/16W (RoHS)	1	R125	T5I
112	3001053330010	Chip resistor 33KΩ J 1/16W (RoHS)	1	R416	T5E
113	3001053330010	Chip resistor 33KΩ J 1/16W (RoHS)	1	R542	T4J
114	3001053330010	Chip resistor 33KΩ J 1/16W (RoHS)	1	R563	T3J
115	3001053340000	Chip resistor 330KΩ J 1/16W (RoHS)	1	R127	T3G
116	3001054700000	Chip resistor 47Ω J 1/16W (RoHS)	1	R410	T5E
117	3001054700000	Chip resistor 47Ω J 1/16W (RoHS)	1	R415	T5E
118	3001054700000	Chip resistor 47Ω J 1/16W (RoHS)	1	R618	B2I
119	3001054700000	Chip resistor 47Ω J 1/16W (RoHS)	1	R619	B2I
120	3001054710000	Chip resistor 470Ω J 1/16W (RoHS)	1	R625	B4A
121	3001054720000	Chip resistor 4.7KΩ J 1/16W (RoHS)	1	R112	T3F
122	3001054720000	Chip resistor 4.7KΩ J 1/16W (RoHS)	1	R311	B2D
123	3001054720000	Chip resistor 4.7KΩ J 1/16W (RoHS)	1	R434	T3F
124	3001054720000	Chip resistor 4.7KΩ J 1/16W (RoHS)	1	R436	B3F
125	3001054720000	Chip resistor 4.7KΩ J 1/16W (RoHS)	1	R437	B3F

No.	Part No.	Description	Qty	Ref No.	Print No.
126	3001054720000	Chip resistor 4.7KΩ J 1/16W (RoHS)	1	R608	B2J
127	3001054720000	Chip resistor 4.7KΩ J 1/16W (RoHS)	1	R633	B5H
128	3001054730000	Chip resistor 47KΩ J 1/16W (RoHS)	1	R106	T5G
129	3001054730000	Chip resistor 47KΩ J 1/16W (RoHS)	1	R116	T4G
130	3001054730000	Chip resistor 47KΩ J 1/16W (RoHS)	1	R205	B2H
131	3001054730000	Chip resistor 47KΩ J 1/16W (RoHS)	1	R217	B1F
132	3001054730000	Chip resistor 47KΩ J 1/16W (RoHS)	1	R312	B3D
133	3001054730000	Chip resistor 47KΩ J 1/16W (RoHS)	1	R320	B1F
134	3001054730000	Chip resistor 47KΩ J 1/16W (RoHS)	1	R417	T5E
135	3001054730000	Chip resistor 47KΩ J 1/16W (RoHS)	1	R553	B1D
136	3001054730000	Chip resistor 47KΩ J 1/16W (RoHS)	1	R559	T3I
137	3001054730000	Chip resistor 47KΩ J 1/16W (RoHS)	1	R610	B3J
138	3001054730000	Chip resistor 47KΩ J 1/16W (RoHS)	1	R611	B3J
139	3001054730000	Chip resistor 47KΩ J 1/16W (RoHS)	1	R612	B3J
140	3001054730000	Chip resistor 47KΩ J 1/16W (RoHS)	1	R613	T2D
141	3001054730000	Chip resistor 47KΩ J 1/16W (RoHS)	1	R620	B3J
142	3001054730000	Chip resistor 47KΩ J 1/16W (RoHS)	1	R624	B2I
143	3001054740000	Chip resistor 470KΩ J 1/16W(RoHS)	1	R548	T4J
144	3001054740000	Chip resistor 470KΩ J 1/16W(RoHS)	1	R549	T4J
145	3001054790000	Chip resistor 4.7Ω J 1/16W (RoHS)	1	R318	B2D
146	3001055610000	Chip resistor 560Ω J 1/16W (RoHS)	1	R118	T4H
147	3001055630000	Chip resistor 56KΩ J 1/16W(RoHS)	1	R411	T5E
148	3001055630000	Chip resistor 56KΩ J 1/16W(RoHS)	1	R615	T1D
149	3001056810000	Chip resistor 680Ω J 1/16W (RoHS)	1	R646	B1G
150	3001056830000	Chip resistor 68KΩ J 1/16W (RoHS)	1	R102	T5I
151	3001056830000	Chip resistor 68KΩ J 1/16W (RoHS)	1	R124	T3G
152	3001058220000	Chip resistor 8.2KΩ J 1/16W (RoHS)	1	R407	B4E
153	3001058220000	Chip resistor 8.2KΩ J 1/16W (RoHS)	1	R514	T3E
154	3001058220000	Chip resistor 8.2KΩ J 1/16W (RoHS)	1	R607	B5I
155	3001058230000	Chip resistor 82KΩ J 1/16W (RoHS)	1	R524	T3J
156	3001060000000	Chip resistor 0Ω J 1/10W (RoHS)	1	L403	T5E
157	3001060000000	Chip resistor 0Ω J 1/10W (RoHS)	1	R555	T3I
158	3001062710000	Chip resistor 270Ω J 1/10W (RoHS)	1	R418	B4B
159	3001062710000	Chip resistor 270Ω J 1/10W (RoHS)	1	R444	B4B
160	3001061540010	Chip resistor 150KΩ D 1/10W (RoHS)	1	R422	B4F
161	3001061540010	Chip resistor 150KΩ D 1/10W (RoHS)	1	R423	B4F
162	3001061540010	Chip resistor 150KΩ D 1/10W (RoHS)	1	R424	B4F
163	3001061540010	Chip resistor 150KΩ D 1/10W (RoHS)	1	R425	B4F
164	3001061540010	Chip resistor 150KΩ D 1/10W (RoHS)	1	R426	B4F
165	3001061540010	Chip resistor 150KΩ D 1/10W (RoHS)	1	R427	B4F
166	3001070000000	Chip resistor 0Ω J 1/8W (RoHS)	1	R326	B1C
167	3002991030160	Adjustable resistor 10K ±25% 0.15W (RoHS)	1	VR101	T4I
168	3005051020010	Integrated resistor 1K J 1/16W (RoHS)	1	RN101	T4J

No.	Part No.	Description	Qty	Ref No.	Print No.
169	3099080398000	Chip resistor 0.39Ω J 1/4W (RoHS)	1	R419	B3B
170	3099080398000	Chip resistor 0.39Ω J 1/4W (RoHS)	1	R420	B3B
171	3099080398000	Chip resistor 0.39Ω J 1/4W (RoHS)	1	R421	B4B
172	3101050200010	Chip capacitor 2PF B 50V (RoHS)	1	C137	T3H
173	3101050200010	Chip capacitor 2PF B 50V (RoHS)	1	C151	T3G
174	3101050200010	Chip capacitor 2PF B 50V (RoHS)	1	C501	T4C
175	3101050200010	Chip capacitor 2PF B 50V (RoHS)	1	C530	T2F
176	3101050400010	Chip capacitor 4PF B 50V (RoHS)	1	C502	T4C
177	3101050400010	Chip capacitor 4PF B 50V (RoHS)	1	C568	T2F
178	3101050400010	Chip capacitor 4PF B 50V (RoHS)	1	C573	T2F
179	3101050500010	Chip capacitor 5PF B 50V (RoHS)	1	C118	T3H
180	3101050500010	Chip capacitor 5PF B 50V (RoHS)	1	C517	T2F
181	3101050590020	Chip capacitor 0.5PF B 50V(RoHS)	1	C109	T4G
182	3101050590020	Chip capacitor 0.5PF B 50V(RoHS)	1	C144	T4G
183	3101050600010	Chip capacitor 6PF B 50V (RoHS)	1	C401	T3F
184	3101050600010	Chip capacitor 6PF B 50V (RoHS)	1	C404	T4F
185	3101050600010	Chip capacitor 6PF B 50V (RoHS)	1	C409	T5E
186	3101050600010	Chip capacitor 6PF B 50V (RoHS)	1	C453	T3G
187	3101050800000	Chip capacitor 8PF B 50V (RoHS)	1	C535	T1H
188	3101050700010	Chip capacitor 7PF B 50V (RoHS)	1	C503	T4D
189	3101050700010	Chip capacitor 7PF B 50V (RoHS)	1	C504	T4D
190	3101050700010	Chip capacitor 7PF B 50V (RoHS)	1	C511	T3D
191	3101050700010	Chip capacitor 7PF B 50V (RoHS)	1	C574	T3F
192	3101051000020	Chip capacitor 10PF J 50V(RoHS)	1	C103	T4I
193	3101051000020	Chip capacitor 10PF J 50V(RoHS)	1	C104	T4I
194	3101051000020	Chip capacitor 10PF J 50V(RoHS)	1	C117	T4I
195	3101051000020	Chip capacitor 10PF J 50V(RoHS)	1	C129	T3H
196	3101051000020	Chip capacitor 10PF J 50V(RoHS)	1	C136	T3H
197	3101051000020	Chip capacitor 10PF J 50V(RoHS)	1	C153	T3G
198	3101051000020	Chip capacitor 10PF J 50V(RoHS)	1	C439	T3G
199	3101051000020	Chip capacitor 10PF J 50V(RoHS)	1	C510	T3D
200	3101051000020	Chip capacitor 10PF J 50V(RoHS)	1	C527	T2F
201	3101051010030	Chip capacitor 100PF J 50V(RoHS)	1	C121	T4I
202	3101051010030	Chip capacitor 100PF J 50V(RoHS)	1	C122	T4J
203	3101051010030	Chip capacitor 100PF J 50V(RoHS)	1	C124	T4I
204	3101051010030	Chip capacitor 100PF J 50V(RoHS)	1	C125	T4I
205	3101051010030	Chip capacitor 100PF J 50V(RoHS)	1	C127	T4H
206	3101051010030	Chip capacitor 100PF J 50V(RoHS)	1	C131	T5H
207	3101051010030	Chip capacitor 100PF J 50V(RoHS)	1	C143	T4I
208	3101051010030	Chip capacitor 100PF J 50V(RoHS)	1	C150	T3G
209	3101051010030	Chip capacitor 100PF J 50V(RoHS)	1	C202	B1F
210	3101051010030	Chip capacitor 100PF J 50V(RoHS)	1	C203	B2D
211	3101051010030	Chip capacitor 100PF J 50V(RoHS)	1	C314	B1C

No.	Part No.	Description	Qty	Ref No.	Print No.
212	3101051010030	Chip capacitor 100PF J 50V(RoHS)	1	C416	T4E
213	3101051010030	Chip capacitor 100PF J 50V(RoHS)	1	C525	T3E
214	3101051010030	Chip capacitor 100PF J 50V(RoHS)	1	C534	T2F
215	3101051010030	Chip capacitor 100PF J 50V(RoHS)	1	C563	T2E
216	3101051010030	Chip capacitor 100PF J 50V(RoHS)	1	C629	B2H
217	3101051020010	Chip capacitor 1000PF K 50V(RoHS)	1	C102	T4J
218	3101051020010	Chip capacitor 1000PF K 50V(RoHS)	1	C105	T4H
219	3101051020010	Chip capacitor 1000PF K 50V(RoHS)	1	C113	T4I
220	3101051020010	Chip capacitor 1000PF K 50V(RoHS)	1	C120	T5J
221	3101051020010	Chip capacitor 1000PF K 50V(RoHS)	1	C126	T5I
222	3101051020010	Chip capacitor 1000PF K 50V(RoHS)	1	C133	T4H
223	3101051020010	Chip capacitor 1000PF K 50V(RoHS)	1	C139	T3F
224	3101051020010	Chip capacitor 1000PF K 50V(RoHS)	1	C141	T3G
225	3101051020010	Chip capacitor 1000PF K 50V(RoHS)	1	C145	T5F
226	3101051020010	Chip capacitor 1000PF K 50V(RoHS)	1	C154	T4I
227	3101051020010	Chip capacitor 1000PF K 50V(RoHS)	1	C216	B2H
228	3101051020010	Chip capacitor 1000PF K 50V(RoHS)	1	C219	B1F
229	3101051020010	Chip capacitor 1000PF K 50V(RoHS)	1	C328	B3D
230	3101051020010	Chip capacitor 1000PF K 50V(RoHS)	1	C331	T1I
231	3101051020010	Chip capacitor 1000PF K 50V(RoHS)	1	C412	T5E
232	3101051020010	Chip capacitor 1000PF K 50V(RoHS)	1	C413	T4E
233	3101051020010	Chip capacitor 1000PF K 50V(RoHS)	1	C417	T5E
234	3101051020010	Chip capacitor 1000PF K 50V(RoHS)	1	C462	B3E
235	3101051020010	Chip capacitor 1000PF K 50V(RoHS)	1	C505	T3E
236	3101051020010	Chip capacitor 1000PF K 50V(RoHS)	1	C543	T3I
237	3101051020010	Chip capacitor 1000PF K 50V(RoHS)	1	C553	T3H
238	3101051020010	Chip capacitor 1000PF K 50V(RoHS)	1	C564	T2E
239	3101051020010	Chip capacitor 1000PF K 50V(RoHS)	1	C605	B5I
240	3101051020010	Chip capacitor 1000PF K 50V(RoHS)	1	C613	B2I
241	3101051020010	Chip capacitor 1000PF K 50V(RoHS)	1	C616	B3J
242	3101051020010	Chip capacitor 1000PF K 50V(RoHS)	1	C640	T2A
243	3101051030020	Chip capacitor 0.01UF K 25V(RoHS)	1	C138	T3F
244	3101051030020	Chip capacitor 0.01UF K 25V(RoHS)	1	C322	B2E
245	3101051030020	Chip capacitor 0.01UF K 25V(RoHS)	1	C437	T4C
246	3101051030020	Chip capacitor 0.01UF K 25V(RoHS)	1	C540	T1F
247	3101051030020	Chip capacitor 0.01UF K 25V(RoHS)	1	C541	T2G
248	3101051030020	Chip capacitor 0.01UF K 25V(RoHS)	1	C544	T2G
249	3101051030020	Chip capacitor 0.01UF K 25V(RoHS)	1	C559	T3I
250	3101051030020	Chip capacitor 0.01UF K 25V(RoHS)	1	C565	T4I
251	3101051030020	Chip capacitor 0.01UF K 25V(RoHS)	1	C572	T3I
252	3101051030020	Chip capacitor 0.01UF K 25V(RoHS)	1	C579	T1G
253	3101051030020	Chip capacitor 0.01UF K 25V(RoHS)	1	C580	T4I
254	3101051030020	Chip capacitor 0.01UF K 25V(RoHS)	1	C581	T4J



No.	Part No.	Description	Qty	Ref No.	Print No.
255	3101051030020	Chip capacitor 0.01UF K 25V(RoHS)	1	C583	T4J
256	3101051030020	Chip capacitor 0.01UF K 25V(RoHS)	1	C584	T4J
257	3101051030020	Chip capacitor 0.01UF K 25V(RoHS)	1	C585	T3J
258	3101051030020	Chip capacitor 0.01UF K 25V(RoHS)	1	C586	T3J
259	3101051030020	Chip capacitor 0.01UF K 25V(RoHS)	1	C587	T3J
260	3101051030020	Chip capacitor 0.01UF K 25V(RoHS)	1	C589	T4J
261	3101051030020	Chip capacitor 0.01UF K 25V(RoHS)	1	C591	T3J
262	3101051030020	Chip capacitor 0.01UF K 25V(RoHS)	1	C595	T2I
263	3101051030020	Chip capacitor 0.01UF K 25V(RoHS)	1	C612	B2J
264	3101051030020	Chip capacitor 0.01UF K 25V(RoHS)	1	C617	B3J
265	3101051030020	Chip capacitor 0.01UF K 25V(RoHS)	1	C635	B4H
266	3101051030020	Chip capacitor 0.01UF K 25V(RoHS)	1	C637	B4I
267	3101051030020	Chip capacitor 0.01UF K 25V(RoHS)	1	C648	T1D
268	3101051030020	Chip capacitor 0.01UF K 25V(RoHS)	1	C649	B3J
269	3101051030020	Chip capacitor 0.01UF K 25V(RoHS)	1	C663	T2E
270	3101051040060	Chip capacitor 0.1UF K 16V (RoHS)	1	C123	T5J
271	3101051040060	Chip capacitor 0.1UF K 16V (RoHS)	1	C134	T4G
272	3101051040060	Chip capacitor 0.1UF K 16V (RoHS)	1	C135	T4H
273	3101051040060	Chip capacitor 0.1UF K 16V (RoHS)	1	C146	T4G
274	3101051040060	Chip capacitor 0.1UF K 16V (RoHS)	1	C217	B1F
275	3101051040060	Chip capacitor 0.1UF K 16V (RoHS)	1	C220	B2H
276	3101051040060	Chip capacitor 0.1UF K 16V (RoHS)	1	C326	B2D
277	3101051040060	Chip capacitor 0.1UF K 16V (RoHS)	1	C327	B3D
278	3101051040060	Chip capacitor 0.1UF K 16V (RoHS)	1	C334	B1A
279	3101051040060	Chip capacitor 0.1UF K 16V (RoHS)	1	C422	B4E
280	3101051040060	Chip capacitor 0.1UF K 16V (RoHS)	1	C436	T4C
281	3101051040060	Chip capacitor 0.1UF K 16V (RoHS)	1	C441	B5F
282	3101051040060	Chip capacitor 0.1UF K 16V (RoHS)	1	C463	B3E
283	3101051040060	Chip capacitor 0.1UF K 16V (RoHS)	1	C464	B3F
284	3101051040060	Chip capacitor 0.1UF K 16V (RoHS)	1	C514	T3E
285	3101051040060	Chip capacitor 0.1UF K 16V (RoHS)	1	C520	T2H
286	3101051040060	Chip capacitor 0.1UF K 16V (RoHS)	1	C521	T3F
287	3101051040060	Chip capacitor 0.1UF K 16V (RoHS)	1	C547	B2J
288	3101051040060	Chip capacitor 0.1UF K 16V (RoHS)	1	C548	T2J
289	3101051040060	Chip capacitor 0.1UF K 16V (RoHS)	1	C576	T2I
290	3101051040060	Chip capacitor 0.1UF K 16V (RoHS)	1	C577	T2I
291	3101051040060	Chip capacitor 0.1UF K 16V (RoHS)	1	C592	T3I
292	3101051040060	Chip capacitor 0.1UF K 16V (RoHS)	1	C606	T2B
293	3101051040060	Chip capacitor 0.1UF K 16V (RoHS)	1	C643	T2A
294	3101051040060	Chip capacitor 0.1UF K 16V (RoHS)	1	C659	B1F
295	3101051040060	Chip capacitor 0.1UF K 16V (RoHS)	1	C668	B2H
296	3101051040060	Chip capacitor 0.1UF K 16V (RoHS)	1	C670	B1H
297	3101061040010	Chip capacitor 0.1UF K 16V (RoHS)	1	C549	T3I

No.	Part No.	Description	Qty	Ref No.	Print No.
298	3101054730000	Chip capacitor 0.047UF K 10V (RoHS)	1	C207	B2H
299	3101051050000	Chip capacitor 1UF K 6.3V(RoHS)	1	C321	B2D
300	3101051050000	Chip capacitor 1UF K 6.3V(RoHS)	1	C590	B1I
301	3101051050000	Chip capacitor 1UF K 6.3V(RoHS)	1	C627	B2I
302	3101051050000	Chip capacitor 1UF K 6.3V(RoHS)	1	C628	B2I
303	3101051050000	Chip capacitor 1UF K 6.3V(RoHS)	1	C634	B4H
304	3101051050000	Chip capacitor 1UF K 6.3V(RoHS)	1	C660	B1F
305	3101051500020	Chip capacitor 15PF J 50V (RoHS)	1	C538	T3I
306	3101051500020	Chip capacitor 15PF J 50V (RoHS)	1	C638	B5I
307	3101051500020	Chip capacitor 15PF J 50V (RoHS)	1	C639	B4I
308	3101051590000	Chip capacitor 1.5PF B 50V (RoHS)	1	C558	T2F
309	3101052200010	Chip capacitor 22PF J 50V (RoHS)	1	C513	T3E
310	3101052200010	Chip capacitor 22PF J 50V (RoHS)	1	C526	T2I
311	3101052200010	Chip capacitor 22PF J 50V (RoHS)	1	C594	T3I
312	3101052230000	Chip capacitor 0.022UF K 16V (RoHS)	1	C642	B5I
313	3101052240010	Chip capacitor 0.22UF Z 10V (RoHS)	1	C208	B2H
314	3101052240010	Chip capacitor 0.22UF Z 10V (RoHS)	1	C588	T3J
315	3101052240010	Chip capacitor 0.22UF Z 10V (RoHS)	1	C597	T2I
316	3101052240010	Chip capacitor 0.22UF Z 10V (RoHS)	1	C671	B1H
317	3101052240010	Chip capacitor 0.22UF Z 10V (RoHS)	1	c333	T1I
318	3101053690000	Chip capacitor 3.6PF B 50V (RoHS)	1	C507	T3D
319	3101054710010	Chip capacitor 470PF K 50V (RoHS)	1	C119	T3H
320	3101054710010	Chip capacitor 470PF K 50V (RoHS)	1	C142	T5G
321	3101054710010	Chip capacitor 470PF K 50V (RoHS)	1	C147	T4G
322	3101054710010	Chip capacitor 470PF K 50V (RoHS)	1	C152	T3H
323	3101054710010	Chip capacitor 470PF K 50V (RoHS)	1	C209	B2H
324	3101054710010	Chip capacitor 470PF K 50V (RoHS)	1	C330	B3E
325	3101054710010	Chip capacitor 470PF K 50V (RoHS)	1	C332	B2D
326	3101054710010	Chip capacitor 470PF K 50V (RoHS)	1	C403	B3E
327	3101054710010	Chip capacitor 470PF K 50V (RoHS)	1	C406	T5F
328	3101054710010	Chip capacitor 470PF K 50V (RoHS)	1	C407	T3F
329	3101054710010	Chip capacitor 470PF K 50V (RoHS)	1	C408	T4F
330	3101054710010	Chip capacitor 470PF K 50V (RoHS)	1	C411	T3G
331	3101054710010	Chip capacitor 470PF K 50V (RoHS)	1	C424	T5E
332	3101054710010	Chip capacitor 470PF K 50V (RoHS)	1	C426	B4C
333	3101054710010	Chip capacitor 470PF K 50V (RoHS)	1	C440	T4C
334	3101054710010	Chip capacitor 470PF K 50V (RoHS)	1	C443	B4F
335	3101054710010	Chip capacitor 470PF K 50V (RoHS)	1	C444	B4F
336	3101054710010	Chip capacitor 470PF K 50V (RoHS)	1	C445	B4E
337	3101054710010	Chip capacitor 470PF K 50V (RoHS)	1	C446	B4E
338	3101054710010	Chip capacitor 470PF K 50V (RoHS)	1	C447	B4E
339	3101054710010	Chip capacitor 470PF K 50V (RoHS)	1	C455	T3F
340	3101054710010	Chip capacitor 470PF K 50V (RoHS)	1	C524	T3F

No.	Part No.	Description	Qty	Ref No.	Print No.
341	3101054710010	Chip capacitor 470PF K 50V (RoHS)	1	C528	T2J
342	3101054710010	Chip capacitor 470PF K 50V (RoHS)	1	C539	T1F
343	3101054710010	Chip capacitor 470PF K 50V (RoHS)	1	C542	T2G
344	3101054710010	Chip capacitor 470PF K 50V (RoHS)	1	C562	T2H
345	3101054710010	Chip capacitor 470PF K 50V (RoHS)	1	C570	T4I
346	3101054710010	Chip capacitor 470PF K 50V (RoHS)	1	C578	T1G
347	3101054710010	Chip capacitor 470PF K 50V (RoHS)	1	C582	T2G
348	3101054710010	Chip capacitor 470PF K 50V (RoHS)	1	C593	T3I
349	3101054710010	Chip capacitor 470PF K 50V (RoHS)	1	C607	T2D
350	3101054710010	Chip capacitor 470PF K 50V (RoHS)	1	C622	B2I
351	3101054710010	Chip capacitor 470PF K 50V (RoHS)	1	C623	B4J
352	3101054710010	Chip capacitor 470PF K 50V (RoHS)	1	C624	B4J
353	3101054710010	Chip capacitor 470PF K 50V (RoHS)	1	C625	B3J
354	3101054710010	Chip capacitor 470PF K 50V (RoHS)	1	C626	B3J
355	3101054710010	Chip capacitor 470PF K 50V (RoHS)	1	C632	B4H
356	3101054710010	Chip capacitor 470PF K 50V (RoHS)	1	C633	B4H
357	3101054710010	Chip capacitor 470PF K 50V (RoHS)	1	C636	B4I
358	3101054710010	Chip capacitor 470PF K 50V (RoHS)	1	C644	B4H
359	3101054710010	Chip capacitor 470PF K 50V (RoHS)	1	C655	B4H
360	3101054710010	Chip capacitor 470PF K 50V (RoHS)	1	C656	T2B
361	3101054710010	Chip capacitor 470PF K 50V (RoHS)	1	C661	B1G
362	3101054710010	Chip capacitor 470PF K 50V (RoHS)	1	C662	B1G
363	3101054710010	Chip capacitor 470PF K 50V (RoHS)	1	C664	B1G
364	3101054710010	Chip capacitor 470PF K 50V (RoHS)	1	C669	B1H
365	3101054710010	Chip capacitor 470PF K 50V (RoHS)	1	C673	B4A
366	3101054710010	Chip capacitor 470PF K 50V (RoHS)	1	C674	B4A
367	3101054720000	Chip capacitor 4700PF K 50V(RoHS)	1	C204	B2H
368	3101054720000	Chip capacitor 4700PF K 50V(RoHS)	1	C205	B2H
369	3101054720000	Chip capacitor 4700PF K 50V(RoHS)	1	C647	B2H
370	3101054720000	Chip capacitor 4700PF K 50V(RoHS)	1	C675	B1E
371	3101054740020	Chip capacitor 0.47uF K 10V(RoHS)	1	C537	T4J
372	3101054740020	Chip capacitor 0.47uF K 10V(RoHS)	1	C672	B1H
373	3101055600000	Chip capacitor 56PF J 50V(RoHS)	1	C414	T4E
374	3101055600000	Chip capacitor 56PF J 50V(RoHS)	1	C596	T3I
375	3101056800000	Chip capacitor 68PF J 50V (RoHS)	1	C415	T4E
376	3101056800000	Chip capacitor 68PF J 50V (RoHS)	1	C688	T2B
377	3101060100010	Chip capacitor 1PF B 50V(RoHS)	1	C429	T4B
378	3101061020000	Chip capacitor 1000PF K 50V(RoHS)	1	C425	T4C
379	3101061050020	Chip capacitor 1UF K 25V (RoHS)	1	C609	B2J
380	3101061050020	Chip capacitor 1UF K 25V (RoHS)	1	C618	B3J
381	3101061050020	Chip capacitor 1UF K 25V (RoHS)	1	C621	B2J
382	3101061050020	Chip capacitor 1UF K 25V (RoHS)	1	C630	T1D
383	3101061590010	Chip capacitor 1.5PF B 50V (RoHS)	1	C431	T4B

No.	Part No.	Description	Qty	Ref No.	Print No.
384	3101062210000	Chip capacitor 220PF J 50V (RoHS)	1	C427	T3C
385	3101051050160	Chip capacitor 1uF K 10V (RoHS)	1	C218	B1F
386	3101051050160	Chip capacitor 1uF K 10V (RoHS)	1	C555	T3I
387	3101062250000	Chip capacitor 2.2UF K 10V (RoHS)	1	C604	T2D
388	3101062250000	Chip capacitor 2.2UF K 10V (RoHS)	1	C614	T2E
389	3101062250000	Chip capacitor 2.2UF K 10V (RoHS)	1	C615	T2D
390	3101064790010	Chip capacitor 4.7PF B 50V (RoHS)	1	C130	T4G
391	3101064790010	Chip capacitor 4.7PF B 50V (RoHS)	1	C148	T4G
392	3101064790010	Chip capacitor 4.7PF B 50V (RoHS)	1	C430	T4B
393	3102992000040	Adjustable capacitor 10pF ±2.5pF 55V (RoHS)	1	TC101	T4H
394	3104074750070	Tantalum capacitor 4.7UF M 10V (RoHS)	1	C128	T4I
395	3104074750070	Tantalum capacitor 4.7UF M 10V (RoHS)	1	C140	T3G
396	3104074750070	Tantalum capacitor 4.7UF M 10V (RoHS)	1	C149	T4I
397	3104074750070	Tantalum capacitor 4.7UF M 10V (RoHS)	1	C201	B1F
398	3104074750070	Tantalum capacitor 4.7UF M 10V (RoHS)	1	C619	B1F
399	3104081060120	Tantalum capacitor 10UF M 16V (RoHS)	1	C323	B1D
400	3104082260060	Tantalum capacitor 22UF K 10V (RoHS)	1	C611	T2B
401	3210107221000	Wire-wound inductor 220nH J 240mA 0.70ohm (RoHS)	1	L411	B4C
402	3210209102010	Wire-wound inductor 1uH M 445mA 0.5ohm (RoHS)	1	L415	B5B
403	3210305180000	Multi-layer chip inductor 18nH J 300mA 0.36ohm (RoHS)	1	L112	T3H
404	3210305220000	Multi-layer chip inductor 22nH J 300mA 0.42ohm (RoHS)	1	L111	T3G
405	3210305220000	Multi-layer chip inductor 22nH J 300mA 0.42ohm (RoHS)	1	L114	T3H
406	3210305220000	Multi-layer chip inductor 22nH J 300mA 0.42ohm (RoHS)	1	L404	T3G
407	3210305220000	Multi-layer chip inductor 22nH J 300mA 0.42ohm (RoHS)	1	L418	T4F
408	3210305220000	Multi-layer chip inductor 22nH J 300mA 0.42ohm (RoHS)	1	L505	T3E
409	3210305220000	Multi-layer chip inductor 22nH J 300mA 0.42ohm (RoHS)	1	L525	T2F
410	3210305270000	Multi-layer chip inductor 27nH J 300mA 0.46ohm (RoHS)	1	L507	T3F
411	3212106221000	Multi-layer chip inductor 220nH J 300mA 0.4ohm (RoHS)	1	L108	T4G
412	3210306561010	Multi-layer chip inductor 560nH K 35mA 1.55ohm (RoHS)	1	L511	T1G
413	3210306561010	Multi-layer chip inductor 560nH K 35mA 1.55ohm (RoHS)	1	L524	T1G
414	3213212102000	Wire-wound inductor 1uH J 245mA 1.1Ω (RoHS)	1	L406	T4E
415	3213306102000	Multi-layer chip inductor 1uH K 25mA 0.6Ω (RoHS)	1	L110	T4I
416	3213306102000	Multi-layer chip inductor 1uH K 25mA 0.6Ω (RoHS)	1	L201	B2H
417	3213306332000	Multi-layer chip inductor 3.3uH K 15mA 1.55Ω (RoHS)	1	L102	T5H
418	3213306332000	Multi-layer chip inductor 3.3uH K 15mA 1.55Ω (RoHS)	1	L103	T5G
419	3213306332000	Multi-layer chip inductor 3.3uH K 15mA 1.55Ω (RoHS)	1	L105	T4G
420	3221506601000	Bead 600Ω 100MHz ±25% 500mA(RoHS)	1	L106	T4F
421	3221506601000	Bead 600Ω 100MHz ±25% 500mA(RoHS)	1	L107	T5I
422	3221506601000	Bead 600Ω 100MHz ±25% 500mA(RoHS)	1	L109	T4I
423	3221506601000	Bead 600Ω 100MHz ±25% 500mA(RoHS)	1	L113	T5I
424	3221506601000	Bead 600Ω 100MHz ±25% 500mA(RoHS)	1	L402	T4E
425	3221506601000	Bead 600Ω 100MHz ±25% 500mA(RoHS)	1	L512	T2J
426	3221506601000	Bead 600Ω 100MHz ±25% 500mA(RoHS)	1	L523	T1G

No.	Part No.	Description	Qty	Ref No.	Print No.
427	3221506601000	Bead 600Ω 100MHz ±25% 500mA(RoHS)	1	L527	T3F
428	3221506601000	Bead 600Ω 100MHz ±25% 500mA(RoHS)	1	L602	T3H
429	3221506601000	Bead 600Ω 100MHz ±25% 500mA(RoHS)	1	L606	B2I
430	3221506601000	Bead 600Ω 100MHz ±25% 500mA(RoHS)	1	L607	T2D
431	3221507221000	Bead 220Ω 100MHz ±25% 2000mA (RoHS)	1	L407	B4E
432	3221507221000	Bead 220Ω 100MHz ±25% 2000mA (RoHS)	1	L608	T2A
433	3221507600000	Bead 60Ω 100MHz ±25% 3000mA (RoHS)	1	L410	B4C
434	3231351640000	Air-core inductor E2-0.35*1.6*4TL(RoHS)	1	L412	T3B
435	3231351640000	Air-core inductor E2-0.35*1.6*4TL(RoHS)	1	L413	T4B
436	3231351640000	Air-core inductor E2-0.35*1.6*4TL(RoHS)	1	L414	T5B
437	3231351640000	Air-core inductor E2-0.35*1.6*4TL(RoHS)	1	L501	T4C
438	3231351650000	Air-core inductor E2-0.35*1.6*5TL(RoHS)	1	L515	T2F
439	3231351650000	Air-core inductor E2-0.35*1.6*5TL(RoHS)	1	L518	T2E
440	3231351650000	Air-core inductor E2-0.35*1.6*5TL(RoHS)	1	L519	T3E
441	3231351650000	Air-core inductor E2-0.35*1.6*5TL(RoHS)	1	L520	T4D
442	3231351680000	Air-core inductor E2-0.35*1.6*8TR(RoHS)	1	L409	T4D
443	3302030500020	Zener diode 18V SOD-323 Rohm (RoHS)	1	D655	T2C
444	3303240000000	Switching diode 75V 200mA 1.25V 6ns (RoHS)	1	D104	T3F
445	3303990000060	Switching diode 35V 100mA 1V (RoHS)	1	D404	T3F
446	3303990000060	Switching diode 35V 100mA 1V (RoHS)	1	D405	T3F
447	3303990000060	Switching diode 35V 100mA 1V (RoHS)	1	D502	T4C
448	3303990000060	Switching diode 35V 100mA 1V (RoHS)	1	D503	T4C
449	3303030300000	Schottky barrier diode 40V 30mA 0.26V/1mA (RoHS)	1	D616	B1H
450	3303060300010	Switching diode 60V 100mA 0.8V/10mA (RoHS)	1	D105	T4G
451	3304040200000	Varactor VR:30V 19.7pF/1VR 2.1pF/28VR (RoHS)	1	D103	T5G
452	3304060300050	Varactor VR:15V 16.4pF/1VR 5.5pF/4VR (RoHS)	1	D101	T4G
453	3304060300050	Varactor VR:15V 16.4pF/1VR 5.5pF/4VR (RoHS)	1	D102	T5H
454	3304180000000	Varactor 15V 9.3~21pF 2.2 (RoHS)	1	D510	T1F
455	3304180000000	Varactor 15V 9.3~21pF 2.2 (RoHS)	1	D513	T2E
456	3304180000000	Varactor 15V 9.3~21pF 2.2 (RoHS)	1	D514	T3E
457	3304180000000	Varactor 15V 9.3~21pF 2.2 (RoHS)	1	D515	T3D
458	3305180300000	Variable resistance diode 100mA max 1Ω (RoHS)	1	D401	T4C
459	3307110100060	LED 200mcd 30mA 1.9V (RoHS)	1	D602	B4A
460	3399990000260	Rectifier diode 10V 15mA 380mV/1mA (RoHS)	1	D505	T3E
461	3401002000990	NPN transistor 10V 30mA (RoHS)	1	Q104	T3G
462	3401002000990	NPN transistor 10V 30mA (RoHS)	1	Q506	T2H
463	3403007000020	BRT Vce:50V Vloff:0.3V Vlon:1.4V 70mA (RoHS)	1	Q404	B4E
464	3403008000010	BRT Vce:50V Vloff:0.5V Vlon:3V 100mA (RoHS)	1	Q103	T4H
465	3403008000010	BRT Vce:50V Vloff:0.5V Vlon:3V 100mA (RoHS)	1	Q302	B3E
466	3403008000010	BRT Vce:50V Vloff:0.5V Vlon:3V 100mA (RoHS)	1	Q305	T2D
467	3403008000010	BRT Vce:50V Vloff:0.5V Vlon:3V 100mA (RoHS)	1	Q405	B4E
468	3408002000030	NPN transistor 12V 100mA (RoHS)	1	Q105	T3G
469	3408002000030	NPN transistor 12V 100mA (RoHS)	1	Q406	T3G

No.	Part No.	Description	Qty	Ref No.	Print No.
470	3411002000020	NPN transistor 50V 150mA (RoHS)	1	Q101	T3F
471	3411002000020	NPN transistor 50V 150mA (RoHS)	1	Q611	B1H
472	3418001000010	NPN transistor 10V 50mA (RoHS)	1	Q501	T3E
473	3499000000140	N-JFET VGS:15V VGSoff:-1.4V IDSS:50mA (RoHS)	1	Q102	T4G
474	3499000000180	PNP transistor 12V 2.5A (RoHS)	1	Q303	B3D
475	3501020000030	N-MOSFET VDS:6V ID:20mA VGS(th):0.7V (RoHS)	1	Q502	T2G
476	3503010000010	P-MOSFET VDS:-30V ID:-100mA VGS(th):-1.9V (RoHS)	1	Q604	T2D
477	3503020000030	N-MOSFET VDS:30V ID:100mA VGS(th):3.0V (RoHS)	1	Q202	B1F
478	3503020000030	N-MOSFET VDS:30V ID:100mA VGS(th):3.0V (RoHS)	1	Q304	T1I
479	3504990000010	PA MOSFET VDS:30V ID:600mA VGS(th):1.8V 1.4W (RoHS)	1	Q402	T4E
480	3504990000040	PA MOSFET 10uA 25V 10uA 7.2V 7W (RoHS)	1	Q403	T5D
481	3605008005070	Operational amplifier3~32V 300mW 100dB (RoHS)	1	U401	B4E
482	3605017005540	Operational amplifier1.8~15V 220mW 39dB (RoHS)	1	U302	B2D
483	3608015000000	Power management IC 5V (RoHS)	1	U604	T2B
484	3608015000050	Power management IC 4.5V&4.5V 150mA (RoHS)	1	U606	T2D
485	3609006000000	Reset IC 2.7V (RoHS)	1	U605	B2I
486	3609049000010	Power management IC 3V 300mA (RoHS)	1	U602	B2J
487	3610999000060	SCM (RoHS)	1	U601	B3I
488	3612031000510	Memory EEPROM 16KB 1.7~5.5V (RoHS)	1	U603	B2I
489	3701038450000	Crystal oscillator 38.4MHz ±3ppm 2.8V(RoHS)	1	XT101	T5I
490	3701327610060	Crystal 32.768KHz ±20ppm 12.5pF (RoHS)	1	X601	B5I
491	3001051520000	Chip resistor 1.5KΩ J 1/16W (RoHS)	1	R440	T4F
492	3001051520000	Chip resistor 1.5KΩ J 1/16W (RoHS)	1	R515	T2E
493	3001052730000	Chip resistor 27KΩ J 1/16W (RoHS)	1	R412	T5E
494	3001052730000	Chip resistor 27KΩ J 1/16W (RoHS)	1	R539	T4I
495	3001053920000	Chip resistor 3.9KΩ F 1/16W (RoHS)	1	R546	T3J
496	3001055620000	Chip resistor 5.6KΩ J 1/16W (RoHS)	1	R540	T4I
497	3001056840000	Chip resistor 680KΩ J 1/16W (RoHS)	1	R541	T4J
498	3001057540000	Chip resistor 750KΩ J 1/16W (RoHS)	1	R547	T4J
499	3101051520000	Chip capacitor 1500PF K 50V (RoHS)	1	C569	T3I
500	3603018000000	IF processor 10~150MHZ 1.8~5.5V (RoHS)	1	U611	T2J
501	3604007000000	PLL IC 1.2GHZ (RoHS)	1	U102	T4H
502	3605002057090	Operational amplifier6~12V 200mW 100dB (RoHS)	1	U613	T3I
503	3605010000020	Operational amplifier(RoHS)	1	U610	T4J
504	3406001000090	NPN transistor 9V 100mA 8.5GHz (RoHS)	1	Q407	T4F
505	3001059130000	Chip resistor 91KΩ F 1/16W (RoHS)	1	R647	B1H
506	3101063690000	Chip capacitor 3.6PF B 50V(RoHS)	1	c428	T4B
507	3101062490000	Chip capacitor 2.4PF B 50V(RoHS)	1	C449	T4C
508	3210306150000	Multi-layer chip inductor 15nH J 350mA 0.40ohm (RoHS)	1	L408	T4E
509	3101060200010	Chip capacitor 2PF B 50V (RoHS)	1	C110	T4G
510	3101060200010	Chip capacitor 2PF B 50V (RoHS)	1	C433	T4B
511	3101060500010	Chip capacitor 5PF B 50V (RoHS)	1	C112	T4G
512	3101060500010	Chip capacitor 5PF B 50V (RoHS)	1	C421	T5C

No.	Part No.	Description	Qty	Ref No.	Print No.
513	3001051240010	Chip resistor 120KΩ F 1/16W (RoHS)	1	R632	B5H
514	3001051540000	Chip resistor 150KΩ F 1/16W (RoHS)	1	R558	T3I
515	3001052710010	Chip resistor 270Ω J 1/16W (RoHS)	1	R505	T2G
516	3001052710010	Chip resistor 270Ω J 1/16W (RoHS)	1	R506	T1H
517	3001053940000	Chip resistor 390KΩ J 1/16W (RoHS)	1	R325	B1F
518	3001055110000	Chip resistor 510Ω J 1/16W (RoHS)	1	R648	B1H
519	3001055110000	Chip resistor 510Ω J 1/16W (RoHS)	1	R652	B2H
520	3101050100030	Chip capacitor 1PF B 50V(RoHS)	1	C551	T2F
521	3101051200020	Chip capacitor 12PF J 50V(RoHS)	1	C523	T2E
522	3101051200020	Chip capacitor 12PF J 50V(RoHS)	1	C533	T2F
523	3101051200020	Chip capacitor 12PF J 50V(RoHS)	1	C545	T2F
524	3101051200020	Chip capacitor 12PF J 50V(RoHS)	1	C557	T3E
525	3101051200020	Chip capacitor 12PF J 50V(RoHS)	1	C560	T4D
526	3101051200020	Chip capacitor 12PF J 50V(RoHS)	1	C561	T2E
527	3101051200020	Chip capacitor 12PF J 50V(RoHS)	1	C575	T2G
528	3210108270000	Wire-wound inductor 27nH J 560mA 0.051ohm (RoHS)	1	L104	T2G
529	3210305150010	Multi-layer chip inductor 15nH J 300mA 0.32ohm (RoHS)	1	R441	T5E
530	3001061050010	Chip resistor 1MΩ J 1/10W (RoHS)	1	R438	B4E
531	3001058210000	Chip resistor 820Ω J 1/16W (RoHS)	1	r406	T4F
532	3101050300000	Chip capacitor 3PF B 50V (RoHS)	1	C515	T2E
533	3101052210010	Chip capacitor 220PF K 50V (RoHS)	1	C522	T3H
534	3101052700000	Chip capacitor 27PF J 50V (RoHS)	1	C106	T4G
535	3101052700000	Chip capacitor 27PF J 50V (RoHS)	1	C107	T4G
536	3101055610000	Chip capacitor 560PF K 50V (RoHS)	1	C571	T3I
537	3101055620010	Chip capacitor 5600PF K 25V(RoHS)	1	C554	T3I
538	3101055620010	Chip capacitor 5600PF K 25V(RoHS)	1	C567	T4I
539	3101060300010	Chip capacitor 3PF B 50V(RoHS)	1	C432	T3B
540	3101060300010	Chip capacitor 3PF B 50V(RoHS)	1	C434	T4B
541	3101060900010	Chip capacitor 9PF B 50V(RoHS)	1	C448	T5C
542	3101061200000	Chip capacitor 12PF J 50V(RoHS)	1	C451	T4C
543	3101061800000	Chip capacitor 18PF J 50V(RoHS)	1	C438	T4C
544	3101062700010	Chip capacitor 27PF J 50V(RoHS)	1	C418	T5D
545	3104084750040	Tantalum capacitor 4.7uF K 16V (RoHS)	1	C442	B5F
546	3104084750040	Tantalum capacitor 4.7uF K 16V (RoHS)	1	C651	T2A
547	3104242250000	Tantalum capacitor 2.2UF K 16V (RoHS)	1	C115	T5H
548	3104242250000	Tantalum capacitor 2.2UF K 16V (RoHS)	1	C420	T5E
549	3210305390000	Multi-layer chip inductor 39nH J 200mA 0.65ohm (RoHS)	1	L510	T2F
550	3210306820000	Multi-layer chip inductor 82nH J 300mA 0.85ohm (RoHS)	1	L506	T3E
551	3399990000080	Zener diode 6.8V (RoHS)	1	D609	B2I
552	3801045030240	Ceramic filter450KHz ±6KHz 6.0dB (RoHS)	1	CF501	T1I
553	3001054320000	Chip resistor 4.3KΩ J 1/16W (RoHS)	1	R643	B1H
554	3499000000150	Composite transistor -50V/50V -100mA/100mA (RoHS)	1	Q555	T3I
555	41005001020C0	Main PCB board (RoHS)	1		

No.	Part No.	Description	Qty	Ref No.	Print No.
556	3307110100130	LED 40mcd 30mA 2.1V (RoHS)	1	D601	B4A
557	3101062240000	Chip capacitor 0.22UF K 10V (RoHS)	1	C114	T4H
558	3101062240000	Chip capacitor 0.22UF K 10V (RoHS)	1	C116	T4H
559	5205000001530	Battery connector black (RoHS)	1	G1	T3C
560	3101074750010	Chip capacitor 4.7UF K 10V(RoHS)	1	C206	B5H
561	3101071060010	Chip capacitor 10UF K 10V (RoHS)	1	C132	B5I
562	3101072250030	Chip capacitor 2.2UF K 25V (RoHS)	1	C518	T2J
563	3101102260010	Chip capacitor 22uF Z 10V (RoHS)	1	C329	B3D
564	3411001000000	PNP transistor 50V 150mA (RoHS)	1	Q201	B2H

**UHF2: 450-470MHz**

No.	Part No.	Description	Qty	Ref No.	Print No.
1	3001050000000	Chip resistor 0Ω J 1/16W (RoHS)	1	R222	B5I
2	3001050000000	Chip resistor 0Ω J 1/16W (RoHS)	1	R402	T4F
3	3001050000000	Chip resistor 0Ω J 1/16W (RoHS)	1	R442	B3E
4	3001050000000	Chip resistor 0Ω J 1/16W (RoHS)	1	R511	T3E
5	3001050000000	Chip resistor 0Ω J 1/16W (RoHS)	1	R533	T2G
6	3001050000000	Chip resistor 0Ω J 1/16W (RoHS)	1	R554	T3I
7	3001051000020	Chip resistor 10Ω F 1/16W (RoHS)	1	R108	T4I
8	3001051000020	Chip resistor 10Ω F 1/16W (RoHS)	1	R111	T5I
9	3001051000020	Chip resistor 10Ω F 1/16W (RoHS)	1	R315	B1A
10	3001051000020	Chip resistor 10Ω F 1/16W (RoHS)	1	R323	B1F
11	3001051000020	Chip resistor 10Ω F 1/16W (RoHS)	1	R408	T5F
12	3001051000020	Chip resistor 10Ω F 1/16W (RoHS)	1	R530	T2J
13	3001051000020	Chip resistor 10Ω F 1/16W (RoHS)	1	R531	T3I
14	3001051000020	Chip resistor 10Ω F 1/16W (RoHS)	1	R534	T3J
15	3001051010000	Chip resistor 100Ω J 1/16W (RoHS)	1	R101	T5I
16	3001051010000	Chip resistor 100Ω J 1/16W (RoHS)	1	R119	T4F
17	3001051010000	Chip resistor 100Ω J 1/16W (RoHS)	1	R123	T3G
18	3001051010000	Chip resistor 100Ω J 1/16W (RoHS)	1	R429	T3G
19	3001051010000	Chip resistor 100Ω J 1/16W (RoHS)	1	R604	B4I
20	3001051010000	Chip resistor 100Ω J 1/16W (RoHS)	1	R605	B4A
21	3001051010000	Chip resistor 100Ω J 1/16W (RoHS)	1	R614	B1C
22	3001051010000	Chip resistor 100Ω J 1/16W (RoHS)	1	R623	B5I
23	3001051020000	Chip resistor 1KΩ F 1/16W (RoHS)	1	R109	T4H
24	3001051020000	Chip resistor 1KΩ F 1/16W (RoHS)	1	R114	T4G
25	3001051020000	Chip resistor 1KΩ F 1/16W (RoHS)	1	R121	T4I
26	3001051020000	Chip resistor 1KΩ F 1/16W (RoHS)	1	R211	T1E
27	3001051020000	Chip resistor 1KΩ F 1/16W (RoHS)	1	R214	B2H
28	3001051020000	Chip resistor 1KΩ F 1/16W (RoHS)	1	R313	B3D
29	3001051020000	Chip resistor 1KΩ F 1/16W (RoHS)	1	R319	T1I
30	3001051020000	Chip resistor 1KΩ F 1/16W (RoHS)	1	R322	B2E
31	3001051020000	Chip resistor 1KΩ F 1/16W (RoHS)	1	R609	T2D



No.	Part No.	Description	Qty	Ref No.	Print No.
32	3001051020000	Chip resistor 1KΩ F 1/16W (RoHS)	1	R621	B2B
33	3001051020000	Chip resistor 1KΩ F 1/16W (RoHS)	1	R626	T2D
34	3001051020000	Chip resistor 1KΩ F 1/16W (RoHS)	1	R644	T3I
35	3001051020000	Chip resistor 1KΩ F 1/16W (RoHS)	1	R650	B1H
36	3001051020000	Chip resistor 1KΩ F 1/16W (RoHS)	1	R683	T1D
37	3001051020000	Chip resistor 1KΩ F 1/16W (RoHS)	1	R684	T4H
38	3001051020000	Chip resistor 1KΩ F 1/16W (RoHS)	1	R690	B4J
39	3001051020000	Chip resistor 1KΩ F 1/16W (RoHS)	1	R691	B4J
40	3001051020000	Chip resistor 1KΩ F 1/16W (RoHS)	1	R692	B3J
41	3001051020000	Chip resistor 1KΩ F 1/16W (RoHS)	1	R693	B3J
42	3001051020000	Chip resistor 1KΩ F 1/16W (RoHS)	1	R696	B4J
43	3001051020000	Chip resistor 1KΩ F 1/16W (RoHS)	1	R697	B4J
44	3001051020000	Chip resistor 1KΩ F 1/16W (RoHS)	1	R698	B4J
45	3001051030000	Chip resistor 10KΩ J 1/16W (RoHS)	1	R103	T5I
46	3001051030000	Chip resistor 10KΩ J 1/16W (RoHS)	1	R107	T4H
47	3001051030000	Chip resistor 10KΩ J 1/16W (RoHS)	1	R208	B2H
48	3001051030000	Chip resistor 10KΩ J 1/16W (RoHS)	1	R219	B1F
49	3001051030000	Chip resistor 10KΩ J 1/16W (RoHS)	1	R412	T5E
50	3001051030000	Chip resistor 10KΩ J 1/16W (RoHS)	1	R413	T3F
51	3001051030000	Chip resistor 10KΩ J 1/16W (RoHS)	1	R428	B4E
52	3001051030000	Chip resistor 10KΩ J 1/16W (RoHS)	1	R430	T3G
53	3001051030000	Chip resistor 10KΩ J 1/16W (RoHS)	1	R433	T3F
54	3001051030000	Chip resistor 10KΩ J 1/16W (RoHS)	1	R616	B2I
55	3001051030000	Chip resistor 10KΩ J 1/16W (RoHS)	1	R617	B2I
56	3001051040000	Chip resistor 100KΩ F 1/16W (RoHS)	1	R113	T5F
57	3001051040000	Chip resistor 100KΩ F 1/16W (RoHS)	1	R120	T4I
58	3001051040000	Chip resistor 100KΩ F 1/16W (RoHS)	1	R213	B2H
59	3001051040000	Chip resistor 100KΩ F 1/16W (RoHS)	1	R513	T3E
60	3001051040000	Chip resistor 100KΩ F 1/16W (RoHS)	1	R517	T2F
61	3001051040000	Chip resistor 100KΩ F 1/16W (RoHS)	1	R518	T2F
62	3001051040000	Chip resistor 100KΩ F 1/16W (RoHS)	1	R521	T2E
63	3001051040000	Chip resistor 100KΩ F 1/16W (RoHS)	1	R522	T3E
64	3001051040000	Chip resistor 100KΩ F 1/16W (RoHS)	1	R526	T2E
65	3001051040000	Chip resistor 100KΩ F 1/16W (RoHS)	1	R603	B5I
66	3001051050000	Chip resistor 1MΩ F 1/16W (RoHS)	1	R218	B1F
67	3001051050000	Chip resistor 1MΩ F 1/16W (RoHS)	1	R405	B4E
68	3001051050000	Chip resistor 1MΩ F 1/16W (RoHS)	1	R435	B3E
69	3001051050000	Chip resistor 1MΩ F 1/16W (RoHS)	1	R501	T2H
70	3001051230000	Chip resistor 12KΩ J 1/16W (RoHS)	1	R206	B4I
71	3001051230000	Chip resistor 12KΩ J 1/16W (RoHS)	1	R224	B5I
72	3001051230000	Chip resistor 12KΩ J 1/16W (RoHS)	1	R512	T3E
73	3001051230000	Chip resistor 12KΩ J 1/16W (RoHS)	1	R544	T3J

No.	Part No.	Description	Qty	Ref No.	Print No.
74	3001051510000	Chip resistor 150Ω J 1/16W (RoHS)	1	R115	T4G
75	3001051530000	Chip resistor 15KΩ J 1/16W (RoHS)	1	R543	T4J
76	3001051540020	Chip resistor 150KΩ J 1/16W (RoHS)	1	R523	T1F
77	3001051540020	Chip resistor 150KΩ J 1/16W (RoHS)	1	R545	T3J
78	3001051820000	Chip resistor 1.8KΩ J 1/16W (RoHS)	1	R414	T4E
79	3001051220000	Chip resistor 1.2KΩ J 1/16W (RoHS)	1	R529	T1G
80	3001051840000	Chip resistor 180KΩ J 1/16W (RoHS)	1	R528	T2G
81	3001052200000	Chip resistor 22Ω J 1/16W (RoHS)	1	R651	B1H
82	3001052210000	Chip resistor 220Ω J 1/16W (RoHS)	1	R126	T3G
83	3001052210000	Chip resistor 220Ω J 1/16W (RoHS)	1	R201	B1F
84	3001052210000	Chip resistor 220Ω J 1/16W (RoHS)	1	R516	T1G
85	3001052210000	Chip resistor 220Ω J 1/16W (RoHS)	1	R519	T3E
86	3001052220010	Chip resistor 2.2KΩ F 1/16W (RoHS)	1	R202	B1F
87	3001052220010	Chip resistor 2.2KΩ F 1/16W (RoHS)	1	R216	B2H
88	3001052220010	Chip resistor 2.2KΩ F 1/16W (RoHS)	1	R310	B2D
89	3001052220010	Chip resistor 2.2KΩ F 1/16W (RoHS)	1	R327	T1I
90	3001052220010	Chip resistor 2.2KΩ F 1/16W (RoHS)	1	R507	T2H
91	3001052220010	Chip resistor 2.2KΩ F 1/16W (RoHS)	1	R510	T3J
92	3001052230000	Chip resistor 22KΩ F 1/16W (RoHS)	1	R215	B2H
93	3001052230000	Chip resistor 22KΩ F 1/16W (RoHS)	1	R560	T3I
94	3001052240000	Chip resistor 220KΩ J 1/16W (RoHS)	1	R509	T3H
95	3001052240000	Chip resistor 220KΩ J 1/16W (RoHS)	1	R562	T2I
96	3001052240000	Chip resistor 220KΩ J 1/16W (RoHS)	1	R602	B5I
97	3001052240000	Chip resistor 220KΩ J 1/16W (RoHS)	1	R649	B1H
98	3001052710000	Chip resistor 270Ω F 1/16W (RoHS)	1	R537	T2G
99	3001053310000	Chip resistor 330Ω F 40559 (RoHS)	1	R409	T4F
100	3001053310000	Chip resistor 330Ω F 40559 (RoHS)	1	R432	T3G
101	3001053320000	Chip resistor 3.3KΩ J 1/16W (RoHS)	1	R110	T4H
102	3001053320000	Chip resistor 3.3KΩ J 1/16W (RoHS)	1	R203	B2H
103	3001053320000	Chip resistor 3.3KΩ J 1/16W (RoHS)	1	R204	B2H
104	3001053320000	Chip resistor 3.3KΩ J 1/16W (RoHS)	1	R431	T3G
105	3001053320000	Chip resistor 3.3KΩ J 1/16W (RoHS)	1	R536	T3I
106	3001053320000	Chip resistor 3.3KΩ J 1/16W (RoHS)	1	R538	T3I
107	3001053320000	Chip resistor 3.3KΩ J 1/16W (RoHS)	1	R561	T3I
108	3001053330010	Chip resistor 33KΩ J 1/16W (RoHS)	1	R125	T5I
109	3001053330010	Chip resistor 33KΩ J 1/16W (RoHS)	1	R416	T5E
110	3001053330010	Chip resistor 33KΩ J 1/16W (RoHS)	1	R542	T4J
111	3001053330010	Chip resistor 33KΩ J 1/16W (RoHS)	1	R563	T3J
112	3001053340000	Chip resistor 330KΩ J 1/16W (RoHS)	1	R127	T3G
113	3001054700000	Chip resistor 47Ω J 1/16W (RoHS)	1	R410	T5E
114	3001054700000	Chip resistor 47Ω J 1/16W (RoHS)	1	R415	T5E
115	3001054700000	Chip resistor 47Ω J 1/16W (RoHS)	1	R618	B2I

No.	Part No.	Description	Qty	Ref No.	Print No.
116	3001054700000	Chip resistor 47Ω J 1/16W (RoHS)	1	R619	B2I
117	3001054710000	Chip resistor 470Ω J 1/16W (RoHS)	1	R625	B4A
118	3001054720000	Chip resistor 4.7KΩ J 1/16W (RoHS)	1	R112	T3F
119	3001054720000	Chip resistor 4.7KΩ J 1/16W (RoHS)	1	R311	B2D
120	3001054720000	Chip resistor 4.7KΩ J 1/16W (RoHS)	1	R434	T3F
121	3001054720000	Chip resistor 4.7KΩ J 1/16W (RoHS)	1	R436	B3F
122	3001054720000	Chip resistor 4.7KΩ J 1/16W (RoHS)	1	R437	B3F
123	3001054720000	Chip resistor 4.7KΩ J 1/16W (RoHS)	1	R608	B2J
124	3001054720000	Chip resistor 4.7KΩ J 1/16W (RoHS)	1	R633	B5H
125	3001054730010	Chip resistor 47KΩ F 1/16W (RoHS)	1	R106	T5G
126	3001054730010	Chip resistor 47KΩ F 1/16W (RoHS)	1	R116	T4G
127	3001054730010	Chip resistor 47KΩ F 1/16W (RoHS)	1	R205	B2H
128	3001054730010	Chip resistor 47KΩ F 1/16W (RoHS)	1	R217	B1F
129	3001054730010	Chip resistor 47KΩ F 1/16W (RoHS)	1	R312	B3D
130	3001054730010	Chip resistor 47KΩ F 1/16W (RoHS)	1	R320	B1F
131	3001054730010	Chip resistor 47KΩ F 1/16W (RoHS)	1	R417	T5E
132	3001054730010	Chip resistor 47KΩ F 1/16W (RoHS)	1	R553	B1D
133	3001054730010	Chip resistor 47KΩ F 1/16W (RoHS)	1	R610	B3J
134	3001054730010	Chip resistor 47KΩ F 1/16W (RoHS)	1	R611	B3J
135	3001054730010	Chip resistor 47KΩ F 1/16W (RoHS)	1	R612	B3J
136	3001054730010	Chip resistor 47KΩ F 1/16W (RoHS)	1	R613	T2D
137	3001054730010	Chip resistor 47KΩ F 1/16W (RoHS)	1	R620	B3J
138	3001054730010	Chip resistor 47KΩ F 1/16W (RoHS)	1	R624	B2I
139	3001054740000	Chip resistor 470KΩ J 1/16W (RoHS)	1	R548	T4J
140	3001054740000	Chip resistor 470KΩ J 1/16W (RoHS)	1	R549	T4J
141	3001054790000	Chip resistor 4.7Ω J 1/16W (RoHS)	1	R318	B2D
142	3001055610000	Chip resistor 560Ω J 1/16W (RoHS)	1	R118	T4H
143	3001055630000	Chip resistor 56KΩ J 1/16W (RoHS)	1	R411	T5E
144	3001055630000	Chip resistor 56KΩ J 1/16W (RoHS)	1	R615	T1D
145	3001056810000	Chip resistor 680Ω J 1/16W (RoHS)	1	R646	B1G
146	3001056830000	Chip resistor 68KΩ J 1/16W (RoHS)	1	R102	T5I
147	3001056830000	Chip resistor 68KΩ J 1/16W (RoHS)	1	R124	T3G
148	3001058220000	Chip resistor 8.2KΩ J 1/16W (RoHS)	1	R407	B4E
149	3001058220000	Chip resistor 8.2KΩ J 1/16W (RoHS)	1	R514	T3E
150	3001058230000	Chip resistor 82KΩ J 1/16W (RoHS)	1	R524	T3J
151	3001060000000	Chip resistor 0Ω J 1/10W (RoHS)	1	L403	T5E
152	3001060000000	Chip resistor 0Ω J 1/10W (RoHS)	1	R555	T3I
153	3001062710000	Chip resistor 270Ω J 1/10W (RoHS)	1	R418	B4B
154	3001062710000	Chip resistor 270Ω J 1/10W (RoHS)	1	R444	B4B
155	3001061540010	Chip resistor 150KΩ D 1/10W (RoHS)	1	R422	B4F
156	3001061540010	Chip resistor 150KΩ D 1/10W (RoHS)	1	R423	B4F
157	3001061540010	Chip resistor 150KΩ D 1/10W (RoHS)	1	R424	B4F

No.	Part No.	Description	Qty	Ref No.	Print No.
158	3001061540010	Chip resistor 150KΩ D 1/10W (RoHS)	1	R425	B4F
159	3001061540010	Chip resistor 150KΩ D 1/10W (RoHS)	1	R426	B4F
160	3001061540010	Chip resistor 150KΩ D 1/10W (RoHS)	1	R427	B4F
161	3001070000000	Chip resistor 0Ω J 1/8W (RoHS)	1	R326	B1C
162	3002991030160	Adjustable resistor 10K ±25% 0.15W (RoHS)	1	VR101	T4I
163	3005051020010	Integrated resistor 1K J 1/16W (RoHS)	1	RN101	T4J
164	3099080398000	Chip resistor 0.39Ω J 1/4W (RoHS)	1	R419	B3B
165	3099080398000	Chip resistor 0.39Ω J 1/4W (RoHS)	1	R420	B3B
166	3099080398000	Chip resistor 0.39Ω J 1/4W (RoHS)	1	R421	B4B
167	3101050200010	Chip capacitor 2PF B 50V C0G (RoHS)	1	C137	T3H
168	3101050200010	Chip capacitor 2PF B 50V C0G (RoHS)	1	C151	T3G
169	3101050200010	Chip capacitor 2PF B 50V C0G (RoHS)	1	C501	T4C
170	3101050200010	Chip capacitor 2PF B 50V C0G (RoHS)	1	C502	T4C
171	3101050200010	Chip capacitor 2PF B 50V C0G (RoHS)	1	C530	T2F
172	3101050400010	Chip capacitor 4PF B 50V COG (RoHS)	1	C517	T2F
173	3101050400010	Chip capacitor 4PF B 50V COG (RoHS)	1	C551	T2F
174	3101050400010	Chip capacitor 4PF B 50V COG (RoHS)	1	C568	T2F
175	3101050400010	Chip capacitor 4PF B 50V COG (RoHS)	1	C573	T2F
176	3101050500010	Chip capacitor 5PF B 50V COG (RoHS)	1	C118	T3H
177	3101050590020	Chip capacitor 0.5PF B 50V C0G (RoHS)	1	C109	T4G
178	3101050590020	Chip capacitor 0.5PF B 50V C0G (RoHS)	1	C144	T4G
179	3101050600010	Chip capacitor 6PF B 50V COG (RoHS)	1	C401	T3F
180	3101050600010	Chip capacitor 6PF B 50V COG (RoHS)	1	C404	T4F
181	3101050600010	Chip capacitor 6PF B 50V COG (RoHS)	1	C409	T5E
182	3101050600010	Chip capacitor 6PF B 50V COG (RoHS)	1	C453	T3G
183	3101050600010	Chip capacitor 6PF B 50V COG (RoHS)	1	C504	T4D
184	3101050600010	Chip capacitor 6PF B 50V COG (RoHS)	1	C510	T3D
185	3101050700010	Chip capacitor 7PF B 50V COG (RoHS)	1	C503	T4D
186	3101050700010	Chip capacitor 7PF B 50V COG (RoHS)	1	C511	T3D
187	3101050700010	Chip capacitor 7PF B 50V COG(RoHS)	1	C523	T2E
188	3101050700010	Chip capacitor 7PF B 50V COG(RoHS)	1	C527	T2F
189	3101050700010	Chip capacitor 7PF B 50V COG(RoHS)	1	C557	T3E
190	3101050700010	Chip capacitor 7PF B 50V COG(RoHS)	1	C560	T4D
191	3101050700010	Chip capacitor 7PF B 50V COG(RoHS)	1	C561	T2E
192	3101050700010	Chip capacitor 7PF B 50V COG(RoHS)	1	C574	T3F
193	3101051000020	Chip capacitor 10PF J 50V C0G (RoHS)	1	C103	T4I
194	3101051000020	Chip capacitor 10PF J 50V C0G (RoHS)	1	C104	T4I
195	3101051000020	Chip capacitor 10PF J 50V C0G(RoHS)	1	C117	T4I
196	3101051000020	Chip capacitor 10PF J 50V C0G(RoHS)	1	C129	T3H
197	3101051000020	Chip capacitor 10PF J 50V C0G(RoHS)	1	C136	T3H
198	3101051000020	Chip capacitor 10PF J 50V C0G(RoHS)	1	C153	T3G
199	3101051000020	Chip capacitor 10PF J 50V C0G(RoHS)	1	C439	T3G

No.	Part No.	Description	Qty	Ref No.	Print No.
200	3101051010030	Chip capacitor 100PF J 50V C0G (RoHS)	1	C121	T4I
201	3101051010030	Chip capacitor 100PF J 50V C0G (RoHS)	1	C122	T4J
202	3101051010030	Chip capacitor 100PF J 50V C0G(RoHS)	1	C124	T4I
203	3101051010030	Chip capacitor 100PF J 50V C0G(RoHS)	1	C125	T4I
204	3101051010030	Chip capacitor 100PF J 50V C0G(RoHS)	1	C127	T4H
205	3101051010030	Chip capacitor 100PF J 50V C0G(RoHS)	1	C131	T5H
206	3101051010030	Chip capacitor 100PF J 50V C0G(RoHS)	1	C143	T4I
207	3101051010030	Chip capacitor 100PF J 50V C0G(RoHS)	1	C150	T3G
208	3101051010030	Chip capacitor 100PF J 50V C0G(RoHS)	1	C202	B1F
209	3101051010030	Chip capacitor 100PF J 50V C0G(RoHS)	1	C203	B2D
210	3101051010030	Chip capacitor 100PF J 50V C0G(RoHS)	1	C314	B1C
211	3101051010030	Chip capacitor 100PF J 50V C0G(RoHS)	1	C416	T4E
212	3101051010030	Chip capacitor 100PF J 50V C0G(RoHS)	1	C534	T2F
213	3101051010030	Chip capacitor 100PF J 50V C0G(RoHS)	1	C563	T2E
214	3101051010030	Chip capacitor 100PF J 50V C0G(RoHS)	1	C629	B2H
215	3101051020010	Chip capacitor 1000PF K 50V X7R (RoHS)	1	C102	T4J
216	3101051020010	Chip capacitor 1000PF K 50V X7R (RoHS)	1	C105	T4H
217	3101051020010	Chip capacitor 1000PF K 50V X7R(RoHS)	1	C113	T4I
218	3101051020010	Chip capacitor 1000PF K 50V X7R(RoHS)	1	C120	T5J
219	3101051020010	Chip capacitor 1000PF K 50V X7R(RoHS)	1	C126	T5I
220	3101051020010	Chip capacitor 1000PF K 50V X7R(RoHS)	1	C133	T4H
221	3101051020010	Chip capacitor 1000PF K 50V X7R(RoHS)	1	C139	T3F
222	3101051020010	Chip capacitor 1000PF K 50V X7R(RoHS)	1	C141	T3G
223	3101051020010	Chip capacitor 1000PF K 50V X7R(RoHS)	1	C145	T5F
224	3101051020010	Chip capacitor 1000PF K 50V X7R(RoHS)	1	C154	T4I
225	3101051020010	Chip capacitor 1000PF K 50V X7R(RoHS)	1	C216	B2H
226	3101051020010	Chip capacitor 1000PF K 50V X7R(RoHS)	1	C219	B1F
227	3101051020010	Chip capacitor 1000PF K 50V X7R(RoHS)	1	C328	B3D
228	3101051020010	Chip capacitor 1000PF K 50V X7R(RoHS)	1	C331	T1I
229	3101051020010	Chip capacitor 1000PF K 50V X7R(RoHS)	1	C412	T5E
230	3101051020010	Chip capacitor 1000PF K 50V X7R(RoHS)	1	C413	T4E
231	3101051020010	Chip capacitor 1000PF K 50V X7R(RoHS)	1	C417	T5E
232	3101051020010	Chip capacitor 1000PF K 50V X7R(RoHS)	1	C462	B3E
233	3101051020010	Chip capacitor 1000PF K 50V X7R(RoHS)	1	C505	T3E
234	3101051020010	Chip capacitor 1000PF K 50V X7R(RoHS)	1	C543	T3I
235	3101051020010	Chip capacitor 1000PF K 50V X7R(RoHS)	1	C553	T3H
236	3101051020010	Chip capacitor 1000PF K 50V X7R(RoHS)	1	C564	T2E
237	3101051020010	Chip capacitor 1000PF K 50V X7R(RoHS)	1	C605	B5I
238	3101051020010	Chip capacitor 1000PF K 50V X7R(RoHS)	1	C613	B2I
239	3101051020010	Chip capacitor 1000PF K 50V X7R(RoHS)	1	C616	B3J
240	3101051020010	Chip capacitor 1000PF K 50V X7R(RoHS)	1	C640	T2A
241	3101051030020	Chip capacitor 0.01UF K 25V X7R (RoHS)	1	C138	T3F

No.	Part No.	Description	Qty	Ref No.	Print No.
242	3101051030020	Chip capacitor 0.01UF K 25V X7R (RoHS)	1	C322	B2E
243	3101051030020	Chip capacitor 0.01UF K 25V X7R(RoHS)	1	C437	T4C
244	3101051030020	Chip capacitor 0.01UF K 25V X7R(RoHS)	1	C540	T1F
245	3101051030020	Chip capacitor 0.01UF K 25V X7R(RoHS)	1	C541	T2G
246	3101051030020	Chip capacitor 0.01UF K 25V X7R(RoHS)	1	C544	T2G
247	3101051030020	Chip capacitor 0.01UF K 25V X7R(RoHS)	1	C559	T3I
248	3101051030020	Chip capacitor 0.01UF K 25V X7R(RoHS)	1	C565	T4I
249	3101051030020	Chip capacitor 0.01UF K 25V X7R(RoHS)	1	C579	T1G
250	3101051030020	Chip capacitor 0.01UF K 25V X7R(RoHS)	1	C580	T4I
251	3101051030020	Chip capacitor 0.01UF K 25V X7R(RoHS)	1	C581	T4J
252	3101051030020	Chip capacitor 0.01UF K 25V X7R(RoHS)	1	C583	T4J
253	3101051030020	Chip capacitor 0.01UF K 25V X7R(RoHS)	1	C584	T4J
254	3101051030020	Chip capacitor 0.01UF K 25V X7R(RoHS)	1	C585	T3J
255	3101051030020	Chip capacitor 0.01UF K 25V X7R(RoHS)	1	C586	T3J
256	3101051030020	Chip capacitor 0.01UF K 25V X7R(RoHS)	1	C587	T3J
257	3101051030020	Chip capacitor 0.01UF K 25V X7R(RoHS)	1	C589	T4J
258	3101051030020	Chip capacitor 0.01UF K 25V X7R(RoHS)	1	C591	T3J
259	3101051030020	Chip capacitor 0.01UF K 25V X7R(RoHS)	1	C595	T2I
260	3101051030020	Chip capacitor 0.01UF K 25V X7R(RoHS)	1	C612	B2J
261	3101051030020	Chip capacitor 0.01UF K 25V X7R(RoHS)	1	C617	B3J
262	3101051030020	Chip capacitor 0.01UF K 25V X7R(RoHS)	1	C635	B4H
263	3101051030020	Chip capacitor 0.01UF K 25V X7R(RoHS)	1	C637	B4I
264	3101051030020	Chip capacitor 0.01UF K 25V X7R(RoHS)	1	C648	T1D
265	3101051030020	Chip capacitor 0.01UF K 25V X7R(RoHS)	1	C649	B3J
266	3101051030020	Chip capacitor 0.01UF K 25V X7R(RoHS)	1	C663	T2E
267	3101051040060	Chip capacitor 0.1UF K 16V X7R (RoHS)	1	C123	T5J
268	3101051040060	Chip capacitor 0.1UF K 16V X7R (RoHS)	1	C134	T4G
269	3101051040060	Chip capacitor 0.1UF K 16V X7R(RoHS)	1	C135	T4H
270	3101051040060	Chip capacitor 0.1UF K 16V X7R(RoHS)	1	C146	T4G
271	3101051040060	Chip capacitor 0.1UF K 16V X7R(RoHS)	1	C217	B1F
272	3101051040060	Chip capacitor 0.1UF K 16V X7R(RoHS)	1	C220	B2H
273	3101051040060	Chip capacitor 0.1UF K 16V X7R(RoHS)	1	C326	B2D
274	3101051040060	Chip capacitor 0.1UF K 16V X7R(RoHS)	1	C327	B3D
275	3101051040060	Chip capacitor 0.1UF K 16V X7R(RoHS)	1	C334	B1A
276	3101051040060	Chip capacitor 0.1UF K 16V X7R(RoHS)	1	C422	B4E
277	3101051040060	Chip capacitor 0.1UF K 16V X7R(RoHS)	1	C436	T4C
278	3101051040060	Chip capacitor 0.1UF K 16V X7R(RoHS)	1	C441	B5F
279	3101051040060	Chip capacitor 0.1UF K 16V X7R(RoHS)	1	C463	B3E
280	3101051040060	Chip capacitor 0.1UF K 16V X7R(RoHS)	1	C464	B3F
281	3101051040060	Chip capacitor 0.1UF K 16V X7R(RoHS)	1	C514	T3E
282	3101051040060	Chip capacitor 0.1UF K 16V X7R(RoHS)	1	C520	T2H
283	3101051040060	Chip capacitor 0.1UF K 16V X7R(RoHS)	1	C521	T3F

No.	Part No.	Description	Qty	Ref No.	Print No.
284	3101051040060	Chip capacitor 0.1UF K 16V X7R(RoHS)	1	C547	B2J
285	3101051040060	Chip capacitor 0.1UF K 16V X7R(RoHS)	1	C548	T2J
286	3101051040060	Chip capacitor 0.1UF K 16V X7R(RoHS)	1	C576	T2I
287	3101051040060	Chip capacitor 0.1UF K 16V X7R(RoHS)	1	C577	T2I
288	3101051040060	Chip capacitor 0.1UF K 16V X7R(RoHS)	1	C592	T3I
289	3101051040060	Chip capacitor 0.1UF K 16V X7R(RoHS)	1	C606	T2B
290	3101051040060	Chip capacitor 0.1UF K 16V X7R(RoHS)	1	C643	T2A
291	3101051040060	Chip capacitor 0.1UF K 16V X7R(RoHS)	1	C659	B1F
292	3101051040060	Chip capacitor 0.1UF K 16V X7R(RoHS)	1	C668	B2H
293	3101051040060	Chip capacitor 0.1UF K 16V X7R(RoHS)	1	C670	B1H
294	3101051050000	Chip capacitor 1UF K 6.3V X5R (RoHS)	1	C321	B2D
295	3101051050000	Chip capacitor 1UF K 6.3V X5R (RoHS)	1	C590	B1I
296	3101051050000	Chip capacitor 1UF K 6.3V X5R (RoHS)	1	C627	B2I
297	3101051050000	Chip capacitor 1UF K 6.3V X5R (RoHS)	1	C628	B2I
298	3101051050000	Chip capacitor 1UF K 6.3V X5R (RoHS)	1	C634	B4H
299	3101051050000	Chip capacitor 1UF K 6.3V X5R (RoHS)	1	C660	B1F
300	3101054730000	Chip capacitor 0.047UF K 10V X7R (RoHS)	1	C207	B2H
301	3101051500020	Chip capacitor 15PF J 50V COG (RoHS)	1	C106	T4G
302	3101051500020	Chip capacitor 15PF J 50V COG (RoHS)	1	C525	T3E
303	3101051500020	Chip capacitor 15PF J 50V COG (RoHS)	1	C538	T3I
304	3101051500020	Chip capacitor 15PF J 50V COG (RoHS)	1	C638	B5I
305	3101051500020	Chip capacitor 15PF J 50V COG (RoHS)	1	C639	B4I
306	3101051590000	Chip capacitor 1.5PF B 50V 402 (RoHS)	1	C558	T2F
307	3101052200010	Chip capacitor 22PF J 50V C0G (RoHS)	1	C513	T3E
308	3101052200010	Chip capacitor 22PF J 50V C0G (RoHS)	1	C526	T2I
309	3101052200010	Chip capacitor 22PF J 50V C0G (RoHS)	1	C594	T3I
310	3101052230000	Chip capacitor 0.022UF K 16V X7R (RoHS)	1	C572	T3I
311	3101052230000	Chip capacitor 0.022UF K 16V X7R (RoHS)	1	C642	B5I
312	3101052230000	Chip capacitor 0.022UF K 16V X7R (RoHS)	1	C645	B5E
313	3101052240010	Chip capacitor 0.22UF Z 10V Y5V (RoHS)	1	C208	B2H
314	3101052240010	Chip capacitor 0.22UF Z 10V Y5V (RoHS)	1	C588	T3J
315	3101052240010	Chip capacitor 0.22UF Z 10V Y5V (RoHS)	1	C597	T2I
316	3101052240010	Chip capacitor 0.22UF Z 10V Y5V (RoHS)	1	C671	B1H
317	3101052240010	Chip capacitor 0.22UF Z 10V Y5V (RoHS)	1	c333	T1I
318	3101054710010	Chip capacitor 470PF K 50V X7R (RoHS)	1	C119	T3H
319	3101054710010	Chip capacitor 470PF K 50V X7R (RoHS)	1	C142	T5G
320	3101054710010	Chip capacitor 470PF K 50V X7R (RoHS)	1	C147	T4G
321	3101054710010	Chip capacitor 470PF K 50V X7R (RoHS)	1	C152	T3H
322	3101054710010	Chip capacitor 470PF K 50V X7R (RoHS)	1	C209	B2H
323	3101054710010	Chip capacitor 470PF K 50V X7R (RoHS)	1	C330	B3E
324	3101054710010	Chip capacitor 470PF K 50V X7R (RoHS)	1	C332	B2D
325	3101054710010	Chip capacitor 470PF K 50V X7R (RoHS)	1	C403	B3E

No.	Part No.	Description	Qty	Ref No.	Print No.
326	3101054710010	Chip capacitor 470PF K 50V X7R (RoHS)	1	C406	T5F
327	3101054710010	Chip capacitor 470PF K 50V X7R (RoHS)	1	C407	T3F
328	3101054710010	Chip capacitor 470PF K 50V X7R (RoHS)	1	C408	T4F
329	3101054710010	Chip capacitor 470PF K 50V X7R (RoHS)	1	C411	T3G
330	3101054710010	Chip capacitor 470PF K 50V X7R (RoHS)	1	C424	T5E
331	3101054710010	Chip capacitor 470PF K 50V X7R (RoHS)	1	C426	B4C
332	3101054710010	Chip capacitor 470PF K 50V X7R (RoHS)	1	C440	T4C
333	3101054710010	Chip capacitor 470PF K 50V X7R (RoHS)	1	C443	B4F
334	3101054710010	Chip capacitor 470PF K 50V X7R (RoHS)	1	C444	B4F
335	3101054710010	Chip capacitor 470PF K 50V X7R (RoHS)	1	C445	B4E
336	3101054710010	Chip capacitor 470PF K 50V X7R (RoHS)	1	C446	B4E
337	3101054710010	Chip capacitor 470PF K 50V X7R (RoHS)	1	C447	B4E
338	3101054710010	Chip capacitor 470PF K 50V X7R (RoHS)	1	C455	T3F
339	3101054710010	Chip capacitor 470PF K 50V X7R (RoHS)	1	C524	T3F
340	3101054710010	Chip capacitor 470PF K 50V X7R (RoHS)	1	C528	T2J
341	3101054710010	Chip capacitor 470PF K 50V X7R (RoHS)	1	C539	T1F
342	3101054710010	Chip capacitor 470PF K 50V X7R (RoHS)	1	C542	T2G
343	3101054710010	Chip capacitor 470PF K 50V X7R (RoHS)	1	C562	T2H
344	3101054710010	Chip capacitor 470PF K 50V X7R (RoHS)	1	C570	T4I
345	3101054710010	Chip capacitor 470PF K 50V X7R (RoHS)	1	C578	T1G
346	3101054710010	Chip capacitor 470PF K 50V X7R (RoHS)	1	C582	T2G
347	3101054710010	Chip capacitor 470PF K 50V X7R (RoHS)	1	C593	T3I
348	3101054710010	Chip capacitor 470PF K 50V X7R (RoHS)	1	C607	T2D
349	3101054710010	Chip capacitor 470PF K 50V X7R (RoHS)	1	C622	B2I
350	3101054710010	Chip capacitor 470PF K 50V X7R (RoHS)	1	C623	B4J
351	3101054710010	Chip capacitor 470PF K 50V X7R (RoHS)	1	C624	B4J
352	3101054710010	Chip capacitor 470PF K 50V X7R (RoHS)	1	C625	B3J
353	3101054710010	Chip capacitor 470PF K 50V X7R (RoHS)	1	C626	B3J
354	3101054710010	Chip capacitor 470PF K 50V X7R (RoHS)	1	C632	B4H
355	3101054710010	Chip capacitor 470PF K 50V X7R (RoHS)	1	C633	B4H
356	3101054710010	Chip capacitor 470PF K 50V X7R (RoHS)	1	C636	B4I
357	3101054710010	Chip capacitor 470PF K 50V X7R (RoHS)	1	C644	B4H
358	3101054710010	Chip capacitor 470PF K 50V X7R (RoHS)	1	C655	B4H
359	3101054710010	Chip capacitor 470PF K 50V X7R (RoHS)	1	C656	T2B
360	3101054710010	Chip capacitor 470PF K 50V X7R (RoHS)	1	C661	B1G
361	3101054710010	Chip capacitor 470PF K 50V X7R (RoHS)	1	C662	B1G
362	3101054710010	Chip capacitor 470PF K 50V X7R (RoHS)	1	C664	B1G
363	3101054710010	Chip capacitor 470PF K 50V X7R (RoHS)	1	C669	B1H
364	3101054710010	Chip capacitor 470PF K 50V X7R (RoHS)	1	C673	B4A
365	3101054710010	Chip capacitor 470PF K 50V X7R (RoHS)	1	C674	B4A
366	3101054720000	Chip capacitor 4700PF K 50V X7R (RoHS)	1	C204	B2H
367	3101054720000	Chip capacitor 4700PF K 50V X7R (RoHS)	1	C205	B2H



No.	Part No.	Description	Qty	Ref No.	Print No.
368	3101054720000	Chip capacitor 4700PF K 50V X7R (RoHS)	1	C647	B2H
369	3101054720000	Chip capacitor 4700PF K 50V X7R (RoHS)	1	C675	B1E
370	3101054740020	Chip capacitor 0.47uF K 10V X5R (RoHS)	1	C537	T4J
371	3101054740020	Chip capacitor 0.47uF K 10V X5R (RoHS)	1	C672	B1H
372	3101055600000	Chip capacitor 56PF J 50V COG (RoHS)	1	C414	T4E
373	3101055600000	Chip capacitor 56PF J 50V COG (RoHS)	1	C596	T3I
374	3101056800000	Chip capacitor 68PF J 50V COG (RoHS)	1	C688	T2B
375	3101060100010	Chip capacitor 1PF B 50V C0G (RoHS)	1	C429	T4B
376	3101060100010	Chip capacitor 1PF B 50V C0G (RoHS)	1	C433	T4B
377	3101061020000	Chip capacitor 1000PF K 50V X7R (RoHS)	1	C425	T4C
378	3101062240000	Chip capacitor 0.22UF K 10V X7R (RoHS)	1	C114	T4H
379	3101062240000	Chip capacitor 0.22UF K 10V X7R (RoHS)	1	C116	T4H
380	3101061050020	Chip capacitor 1UF K 25V X5R (RoHS)	1	C609	B2J
381	3101061050020	Chip capacitor 1UF K 25V X5R (RoHS)	1	C618	B3J
382	3101061050020	Chip capacitor 1UF K 25V X5R (RoHS)	1	C621	B2J
383	3101061050020	Chip capacitor 1UF K 25V X5R (RoHS)	1	C630	T1D
384	3101061590010	Chip capacitor 1.5PF B 50V COG (RoHS)	1	C431	T4B
385	3101061590010	Chip capacitor 1.5PF B 50V COG (RoHS)	1	c428	T4B
386	3101062210000	Chip capacitor 220PF J 50V COG (RoHS)	1	C427	T3C
387	3101051050160	Chip capacitor 1uF K 10V X5R (RoHS)	1	C218	B1F
388	3101051050160	Chip capacitor 1uF K 10V X5R (RoHS)	1	C555	T3I
389	3101062250000	Chip capacitor 2.2UF K 10V X5R (RoHS)	1	C604	T2D
390	3101062250000	Chip capacitor 2.2UF K 10V X5R (RoHS)	1	C614	T2E
391	3101062250000	Chip capacitor 2.2UF K 10V X5R (RoHS)	1	C615	T2D
392	3101064790010	Chip capacitor 4.7PF B 50V COG (RoHS)	1	C421	T5C
393	3101082260020	Chip capacitor 22UF M 10V X5R (RoHS)	1	C329	B3D
394	3102992000040	Adjustable capacitor 10pF $\pm$ 2.5pF 55V (RoHS)	1	TC101	T4H
395	3104074750070	Tantalum capacitor 4.7UF M 10V (RoHS)	1	C128	T4I
396	3104074750070	Tantalum capacitor 4.7UF M 10V (RoHS)	1	C140	T3G
397	3104074750070	Tantalum capacitor 4.7UF M 10V (RoHS)	1	C149	T4I
398	3104074750070	Tantalum capacitor 4.7UF M 10V (RoHS)	1	C201	B1F
399	3104074750070	Tantalum capacitor 4.7UF M 10V (RoHS)	1	C206	B5H
400	3104074750070	Tantalum capacitor 4.7UF M 10V (RoHS)	1	C619	B1F
401	3104081060120	Tantalum capacitor 10UF M 16V (RoHS)	1	C323	B1D
402	3104082260060	Tantalum capacitor 22UF K 10V (RoHS)	1	C611	T2B
403	3210107221000	Wire-wound inductor 220nH J 240mA 0.70ohm 805 (RoHS)	1	L411	B4C
404	3210209102010	Wire-wound inductor 1uH M 445mA 0.5ohm 1210 (RoHS)	1	L415	B5B
405	3210305180000	Multi-layer chip inductor 18nH J 300mA 0.36ohm 402 (RoHS)	1	L112	T3H
406	3210305220000	Multi-layer chip inductor 22nH J 300mA 0.42ohm 402 (RoHS)	1	L111	T3G
407	3210305220000	Multi-layer chip inductor 22nH J 300mA 0.42ohm 402 (RoHS)	1	L114	T3H
408	3210305220000	Multi-layer chip inductor 22nH J 300mA 0.42ohm 402 (RoHS)	1	L404	T3G
409	3210305220000	Multi-layer chip inductor 22nH J 300mA 0.42ohm 402 (RoHS)	1	L418	T4F

No.	Part No.	Description	Qty	Ref No.	Print No.
410	3210305220000	Multi-layer chip inductor 22nH J 300mA 0.42ohm 402 (RoHS)	1	L505	T3E
411	3210305220000	Multi-layer chip inductor 22nH J 300mA 0.42ohm 402 (RoHS)	1	L525	T2F
412	3212106221000	Multi-layer chip inductor 220nH J 300mA 0.4ohm 603 (RoHS)	1	L108	T4G
413	3210306561010	Multi-layer chip inductor 560nH K 35mA 1.55ohm 603 (RoHS)	1	L511	T1G
414	3210306561010	Multi-layer chip inductor 560nH K 35mA 1.55ohm 603 (RoHS)	1	L524	T1G
415	3213212102000	Wire-wound inductor 1uH J 245mA 1.1Ω 1008 (RoHS)	1	L406	T4E
416	3213306102000	Multi-layer chip inductor 1uH K 25mA 0.6Ω 603 (RoHS)	1	L110	T4I
417	3213306102000	Multi-layer chip inductor 1uH K 25mA 0.6Ω 603 (RoHS)	1	L201	B2H
418	3213306332000	Multi-layer chip inductor 3.3uH K 15mA 1.55Ω 603 (RoHS)	1	L102	T5H
419	3213306332000	Multi-layer chip inductor 3.3uH K 15mA 1.55Ω 603 (RoHS)	1	L103	T5G
420	3213306332000	Multi-layer chip inductor 3.3uH K 15mA 1.55Ω 603 (RoHS)	1	L105	T4G
421	3221506601000	Bead 600Ω 100MHz ±25% 500mA (RoHS)	1	L106	T4F
422	3221506601000	Bead 600Ω 100MHz ±25% 500mA (RoHS)	1	L107	T5I
423	3221506601000	Bead 600Ω 100MHz ±25% 500mA (RoHS)	1	L109	T4I
424	3221506601000	Bead 600Ω 100MHz ±25% 500mA (RoHS)	1	L113	T5I
425	3221506601000	Bead 600Ω 100MHz ±25% 500mA (RoHS)	1	L402	T4E
426	3221506601000	Bead 600Ω 100MHz ±25% 500mA (RoHS)	1	L512	T2J
427	3221506601000	Bead 600Ω 100MHz ±25% 500mA (RoHS)	1	L523	T1G
428	3221506601000	Bead 600Ω 100MHz ±25% 500mA (RoHS)	1	L527	T3F
429	3221506601000	Bead 600Ω 100MHz ±25% 500mA (RoHS)	1	L602	T3H
430	3221506601000	Bead 600Ω 100MHz ±25% 500mA (RoHS)	1	L606	B2I
431	3221506601000	Bead 600Ω 100MHz ±25% 500mA (RoHS)	1	L607	T2D
432	3221507221000	Bead 220Ω 100MHz ±25% 2000mA (RoHS)	1	L407	B4E
433	3221507221000	Bead 220Ω 100MHz ±25% 2000mA (RoHS)	1	L608	T2A
434	3221507600000	Bead 60Ω 100MHz ±25% 3000mA (RoHS)	1	L410	B4C
435	3231351640000	Air-core inductor E2-0.35*1.6*4TL (RoHS)	1	L412	T3B
436	3231351640000	Air-core inductor E2-0.35*1.6*4TL (RoHS)	1	L413	T4B
437	3231351640000	Air-core inductor E2-0.35*1.6*4TL (RoHS)	1	L414	T5B
438	3231351640000	Air-core inductor E2-0.35*1.6*4TL (RoHS)	1	L501	T4C
439	3231351680000	Air-core inductor E2-0.35*1.6*8TR (RoHS)	1	L409	T4D
440	3302030500020	Zener diode150℃ SOD-323 Rohm (RoHS)	1	D655	T2C
441	3303240000000	Switching diode 75V 200mA 1.25V 6ns (RoHS)	1	D104	T3F
442	3303990000060	Switching diode 35V 100mA 1V (RoHS)	1	D404	T3F
443	3303990000060	Switching diode 35V 100mA 1V (RoHS)	1	D405	T3F
444	3303990000060	Switching diode 35V 100mA 1V (RoHS)	1	D502	T4C
445	3303990000060	Switching diode 35V 100mA 1V (RoHS)	1	D503	T4C
446	3303030300000	Schottky barrier diode 40V 30mA 0.26V/1mA (RoHS)	1	D616	B1H
447	3303060300010	Switching diode 60V 100mA 0.8V/10mA (RoHS)	1	D105	T4G
448	3304040200000	Varactor VR:30V 19.7pF/1VR 2.1pF/28VR (RoHS)	1	D103	T5G
449	3304060300050	Varactor VR:15V 16.4pF/1VR 5.5pF/4VR (RoHS)	1	D101	T4G
450	3304060300050	Varactor VR:15V 16.4pF/1VR 5.5pF/4VR (RoHS)	1	D102	T5H
451	3304180000000	Varactor 15V 9.3~21pF 2.2 (RoHS)	1	D510	T1F

No.	Part No.	Description	Qty	Ref No.	Print No.
452	3304180000000	Varactor 15V 9.3~21pF 2.2 (RoHS)	1	D513	T2E
453	3304180000000	Varactor 15V 9.3~21pF 2.2 (RoHS)	1	D514	T3E
454	3304180000000	Varactor 15V 9.3~21pF 2.2 (RoHS)	1	D515	T3D
455	3305180300000	variable resistance diode 100mA max 1Ω (RoHS)	1	D401	T4C
456	3307110100060	LED 200mcd 30mA 1.9V (RoHS)	1	D602	B4A
457	3307110100130	LED green 40mcd 30mA 2.1V (RoHS)	1	D601	B4A
458	3399990000260	Rectifier diode 10V 15mA 380mV/1mA (RoHS)	1	D505	T3E
459	3401001000490	PNP transistor 50V 150mA 200~400 (RoHS)	1	Q201	B2H
460	3401002000990	NPN transistor 10V 30mA 120~240 (RoHS)	1	Q104	T3G
461	3401002000990	NPN transistor 10V 30mA 120~240 (RoHS)	1	Q506	T2H
462	3403007000020	BRT Vce:50V Vloff:0.3V Vlon:1.4V 70mA (RoHS)	1	Q404	B4E
463	3403008000010	BRT Vce:50V Vloff:0.5V Vlon:3V 100mA (RoHS)	1	Q103	T4H
464	3403008000010	BRT Vce:50V Vloff:0.5V Vlon:3V 100mA (RoHS)	1	Q302	B3E
465	3403008000010	BRT Vce:50V Vloff:0.5V Vlon:3V 100mA (RoHS)	1	Q305	T2D
466	3403008000010	BRT Vce:50V Vloff:0.5V Vlon:3V 100mA (RoHS)	1	Q405	B4E
467	3408002000030	NPN transistor 12V 100mA 110 (RoHS)	1	Q105	T3G
468	3408002000030	NPN transistor 12V 100mA 110 (RoHS)	1	Q406	T3G
469	3411002000020	NPN transistor 50V 150mA 200~400 (RoHS)	1	Q101	T3F
470	3411002000020	NPN transistor 50V 150mA 200~400 (RoHS)	1	Q611	B1H
471	3418001000010	NPN transistor 10V 50mA 150 (RoHS)	1	Q501	T3E
472	3499000000140	N-JFET VGS:15V VGSoff:-1.4V IDSS:50mA (RoHS)	1	Q102	T4G
473	3499000000180	PNP transistor 12V 2.5A 180~270 (RoHS)	1	Q303	B3D
474	3501020000030	N-MOSFET VDS:6V ID:20mA VGS(th):0.7V (RoHS)	1	Q502	T2G
475	3503010000010	P-MOSFET VDS:-30V ID:-100mA VGS(th):-1.9V (RoHS)	1	Q604	T2D
476	3503020000030	N-MOSFET VDS:30V ID:100mA VGS(th):3.0V (RoHS)	1	Q202	B1F
477	3503020000030	N-MOSFET VDS:30V ID:100mA VGS(th):3.0V (RoHS)	1	Q304	T1I
478	3504990000010	Power amplifier VDS:30V ID:600mA VGS(th):1.8V 1.4W (RoHS)	1	Q402	T4E
479	3504990000040	Power amplifier 10uA 25V 10uA 7.2V (RoHS)	1	Q403	T5D
480	3605008005070	Operational amplifier 3~32V 300mW 100dB (RoHS)	1	U401	B4E
481	3605017005540	Operational amplifier 1.8~15V 220mW 39dB (RoHS)	1	U302	B2D
482	3608015000000	Power management IC Regulators 5V (RoHS)	1	U604	T2B
483	3608015000050	Power management IC LDO 4.5V&4.5V 150mA (RoHS)	1	U606	T2D
484	3609006000000	Reset IC 2.7V SC-82 (RoHS)	1	U605	B2I
485	3609049000010	Power management IC LDO 3V 300mA (RoHS)	1	U602	B2J
486	3610999000060	SCM 100Pin H7 SICOMM(RoHS)	1	U601	B3I
487	3612031000510	Memory EEPROM 16KB 1.8~5.5V (RoHS)	1	U603	B2I
488	3701038450000	Crystal oscillator 38.4MHz ±3ppm 2.8V (RoHS)	1	XT101	T5I
489	3701327610060	Crystal 32.768KHz ±20ppm 12.5pF (RoHS)	1	X601	B5I
490	3001051520000	Chip resistor 1.5KΩ J 1/16W (RoHS)	1	R440	T4F
491	3001051520000	Chip resistor 1.5KΩ J 1/16W (RoHS)	1	R515	T2E
492	3001052730000	Chip resistor 27KΩ J 1/16W (RoHS)	1	R539	T4I
493	3001053920000	Chip resistor 3.9KΩ F 1/16W (RoHS)	1	R546	T3J

No.	Part No.	Description	Qty	Ref No.	Print No.
494	3001055620000	Chip resistor 5.6KΩ J 1/16W (RoHS)	1	R540	T4I
495	3001056840000	Chip resistor 680KΩ J 1/16W (RoHS)	1	R541	T4J
496	3001057540000	Chip resistor 750KΩ J 1/16W (RoHS)	1	R547	T4J
497	3101051520000	Chip capacitor 1500PF K 50V X7R (RoHS)	1	C569	T3I
498	3603018000000	IF processor 10~150MHZ 1.8~5.5V SSOP-B16 (RoHS)	1	U611	T2J
499	3604007000000	PLL IC 1.2GHZ BCC-16 FUJITSU (RoHS)	1	U102	T4H
500	3605002057090	Operational amplifier 6~12V 200mW 100dB(RoHS)	1	U613	T3I
501	3605010000020	Operational amplifier TI(RoHS)	1	U610	T4J
502	3406001000090	NPN transistor 9V 100mA 120 (RoHS)	1	Q407	T4F
503	3001059130000	Chip resistor 91KΩ F 1/16W (RoHS)	1	R647	B1H
504	3101062490000	Chip capacitor 2.4PF B 50V C0G (RoHS)	1	C449	T4C
505	3101060200010	Chip capacitor 2PF B 50V C0G (RoHS)	1	C110	T4G
506	3001051240010	Chip resistor 120KΩ F 1/16W (RoHS)	1	R632	B5H
507	3001053940000	Chip resistor 390KΩ J 1/16W (RoHS)	1	R325	B1F
508	3001055110000	Chip resistor 510Ω J 1/16W (RoHS)	1	R505	T2G
509	3001055110000	Chip resistor 510Ω J 1/16W (RoHS)	1	R506	T1H
510	3001055110000	Chip resistor 510Ω J 1/16W (RoHS)	1	R648	B1H
511	3001055110000	Chip resistor 510Ω J 1/16W (RoHS)	1	R652	B2H
512	3101051200020	Chip capacitor 12PF J 50V COG (RoHS)	1	C535	T1H
513	3101051200020	Chip capacitor 12PF J 50V COG (RoHS)	1	C545	T2F
514	3101051200020	Chip capacitor 12PF J 50V COG (RoHS)	1	C575	T2G
515	3104071060080	Tantalum capacitor 10UF M 6.3V (RoHS)	1	C132	B5I
516	3104072250060	Tantalum capacitor 2.2UF M 10V (RoHS)	1	C518	T2J
517	3210108230010	Wire-wound inductor 23nH J 590mA 0.046ohm 1206 (RoHS)	1	L104	T2G
518	3210305150010	Multi-layer chip inductor 15nH J 300mA 0.32ohm 402 (RoHS)	1	R441	T5E
519	3001061050010	Chip resistor 1MΩ J 1/10W (RoHS)	1	R438	B4E
520	3001058210000	Chip resistor 820Ω J 1/16W (RoHS)	1	r406	T4F
521	3101050300000	Chip capacitor 3PF B 50V COG (RoHS)	1	C515	T2E
522	3101052210010	Chip capacitor 220PF K 50V X7R (RoHS)	1	C522	T3H
523	3101055610000	Chip capacitor 560PF K 50V X7R (RoHS)	1	C571	T3I
524	3101055620010	Chip capacitor 5600PF K 25V X7R (RoHS)	1	C554	T3I
525	3101055620010	Chip capacitor 5600PF K 25V X7R (RoHS)	1	C567	T4I
526	3104084750040	Tantalum capacitor1206 K 16V TAJA475K016RNJ(RoHS)	1	C442	B5F
527	3104084750040	Tantalum capacitor1206 K 16V TAJA475K016RNJ(RoHS)	1	C651	T2A
528	3104242250000	Tantalum capacitor 2.2UF K 16V (RoHS)	1	C115	T5H
529	3104242250000	Tantalum capacitor 2.2UF K 16V (RoHS)	1	C420	T5E
530	3210306820000	Multi-layer chip inductor 82nH J 300mA 0.85ohm 603 (RoHS)	1	L506	T3E
531	3399990000080	Zener diode6.8V -55~125℃ SOD-523 Rohm (RoHS)	1	D303	B1A
532	3399990000080	Zener diode6.8V -55~125℃ SOD-523 Rohm (RoHS)	1	D609	B2I
533	3801045030240	Ceramic filter 450KHz ±6KHz 6.0dB (RoHS)	1	CF501	T1I
534	3001054320000	Chip resistor 4.3KΩ J 1/16W (RoHS)	1	R643	B1H
535	3499000000150	Transistor PNP+NPN -50V/50V -100mA/100mA (RoHS)	1	Q555	T3I

No.	Part No.	Description	Qty	Ref No.	Print No.
536	3101061200000	Chip capacitor 12PF J 50V COG (RoHS)	1	C418	T5D
537	3101061300000	Chip capacitor 13PF J 50V COG (RoHS)	1	C438	T4C
538	3101060400010	Chip capacitor 4PF B 50V COG (RoHS)	1	C130	T4G
539	3101060400010	Chip capacitor 4PF B 50V COG (RoHS)	1	C434	T4B
540	3101060400010	Chip capacitor 4PF B 50V COG (RoHS)	1	C448	T5C
541	3101060300010	Chip capacitor 3PF B 50V COG (RoHS)	1	C430	T4B
542	3101060300010	Chip capacitor 3PF B 50V COG (RoHS)	1	C432	T3B
543	3210305330000	Multi-layer chip inductor 33nH J 200mA 0.58ohm 402 (RoHS)	1	L507	T3F
544	3101050900000	Chip capacitor 9PF B 50V COG (RoHS)	1	C533	T2F
545	3212105470000	Multi-layer chip inductor 47nH J 200mA 0.58ohm 402 (RoHS)	1	L510	T2F
546	3101052700000	Chip capacitor 27PF J 50V COG (RoHS)	1	C107	T4G
547	3101052700000	Chip capacitor 27PF J 50V COG (RoHS)	1	C415	T4E
548	3001051540000	Chip resistor 150KΩ F 1/16W (RoHS)	1	R558	T3I
549	3001052240010	Chip resistor 220KΩ F 1/16W (RoHS)	1	R439	B4E
550	3101053690030	Chip capacitor 3.6P B 50V COG (RoHS)	1	C507	T3D
551	3101060600010	Chip capacitor 6PF B 50V COG (RoHS)	1	C451	T4C
552	3101061040010	Chip capacitor 0.1UF K 16V X7R (RoHS)	1	C549	T3I
553	3101063690000	Chip capacitor 3.6PF B 50V COG (RoHS)	1	C112	T4G
554	3101063690000	Chip capacitor 3.6PF B 50V COG (RoHS)	1	C148	T4G
555	3231321460000	Air-core inductor 0.32*1.4*6TL(RoHS)	1	L515	T2F
556	3231321460000	Air-core inductor 0.32*1.4*6TL (RoHS)	1	L518	T2E
557	3231321460000	Air-core inductor 0.32*1.4*6TL (RoHS)	1	L519	T3E
558	3231321460000	Air-core inductor 0.32*1.4*6TL (RoHS)	1	L520	T4D
559	3001052720010	Chip resistor 2.7KΩ F 1/16W (RoHS)	1	R502	T3I
560	3001052720010	Chip resistor 2.7KΩ F 1/16W (RoHS)	1	R504	T3I
561	3001058220010	Chip resistor 8.2KΩ F 1/16W (RoHS)	1	R607	B5I
562	3212106100000	Multi-layer chip inductor 10nH J 300mA 0.26ohm (RoHS)	1	L408	T4E
563	5205000001530	Battery connector black (RoHS)	1	G1	T3C
564	41005001020D0	Main PCB board (RoHS)	1		
565	3001051530010	Chip resistor 15KΩ F 1/16W (RoHS)	1	R314	T1I
566	3001053330000	Chip resistor 33KΩ F 1/16W (RoHS)	1	R559	T3I
567	3920450300000	Frequency discriminator 100mv±40mv 450KHz ±4kHz (RoHS)	1	CD501	T2I
568	3702388540000	Crystal filter 38M12A 38.85MHz ±6KHZ 20dBm (RoHS)	1	XF501	T1H
569	3702388540000	Crystal filter 38.85MHz ±6KHZ 20dBm (RoHS)	1	XF502	T1G
570	4304030000010	Gray code rotary switch(RoHS)	1	SW606	T3A
571	4302020000140	Volume switch DC 10V 0.05W (RoHS)	1	S201	T1A
572	5205005000040	Earpiece jack 5pin 30VDC 0.5A(RoHS)	1	J3	T1C
573	5205004000030	Earpiece jack 4pin 30VDC 0.5A (RoHS)	1		T1C
574	5002220000070	Microphone 1~10V O P -40dB (RoHS)	1	B201	B1E
575	4400100008000	SMA RF connector 50Ω female (RoHS)	1	W401	T5A

**UHF3: 430-450MHz**

No.	Part No.	Description	Qty	Ref No.	Print No.
1	3001050000000	Chip resistor 0Ω J 1/16W (RoHS)	1	R222	B5I
2	3001050000000	Chip resistor 0Ω J 1/16W (RoHS)	1	R442	B3E
3	3001050000000	Chip resistor 0Ω J 1/16W (RoHS)	1	R511	T3E
4	3001050000000	Chip resistor 0Ω J 1/16W (RoHS)	1	R533	T2G
5	3001050000000	Chip resistor 0Ω J 1/16W (RoHS)	1	R554	T3I
6	3001050000000	Chip resistor 0Ω J 1/16W (RoHS)	1	r402	T4F
7	3001051000020	Chip resistor 10Ω F 1/16W (RoHS)	1	R108	T4I
8	3001051000020	Chip resistor 10Ω F 1/16W (RoHS)	1	R111	T5I
9	3001051000020	Chip resistor 10Ω F 1/16W (RoHS)	1	R315	B1A
10	3001051000020	Chip resistor 10Ω F 1/16W (RoHS)	1	R323	B1F
11	3001051000020	Chip resistor 10Ω F 1/16W (RoHS)	1	R408	T5F
12	3001051000020	Chip resistor 10Ω F 1/16W (RoHS)	1	R530	T2J
13	3001051000020	Chip resistor 10Ω F 1/16W (RoHS)	1	R531	T3I
14	3001051000020	Chip resistor 10Ω F 1/16W (RoHS)	1	R534	T3J
15	3001051010000	Chip resistor 100Ω J 1/16W (RoHS)	1	R101	T5I
16	3001051010000	Chip resistor 100Ω J 1/16W (RoHS)	1	R119	T4F
17	3001051010000	Chip resistor 100Ω J 1/16W (RoHS)	1	R123	T3G
18	3001051010000	Chip resistor 100Ω J 1/16W (RoHS)	1	R429	T3G
19	3001051010000	Chip resistor 100Ω J 1/16W (RoHS)	1	R604	B4I
20	3001051010000	Chip resistor 100Ω J 1/16W (RoHS)	1	R605	B4A
21	3001051010000	Chip resistor 100Ω J 1/16W (RoHS)	1	R614	B1C
22	3001051010000	Chip resistor 100Ω J 1/16W (RoHS)	1	R623	B2I
23	3001051020000	Chip resistor 1KΩ F 1/16W (RoHS)	1	R109	T4H
24	3001051020000	Chip resistor 1KΩ F 1/16W (RoHS)	1	R114	T4G
25	3001051020000	Chip resistor 1KΩ F 1/16W (RoHS)	1	R121	T4I
26	3001051020000	Chip resistor 1KΩ F 1/16W (RoHS)	1	R211	T1E
27	3001051020000	Chip resistor 1KΩ F 1/16W (RoHS)	1	R214	B2H
28	3001051020000	Chip resistor 1KΩ F 1/16W (RoHS)	1	R313	B3D
29	3001051020000	Chip resistor 1KΩ F 1/16W (RoHS)	1	R319	T1I
30	3001051020000	Chip resistor 1KΩ F 1/16W (RoHS)	1	R322	B2E
31	3001051020000	Chip resistor 1KΩ F 1/16W (RoHS)	1	R609	T2D
32	3001051020000	Chip resistor 1KΩ F 1/16W (RoHS)	1	R621	B2B
33	3001051020000	Chip resistor 1KΩ F 1/16W (RoHS)	1	R626	T2D
34	3001051020000	Chip resistor 1KΩ F 1/16W (RoHS)	1	R644	T3I
35	3001051020000	Chip resistor 1KΩ F 1/16W (RoHS)	1	R650	B1H
36	3001051020000	Chip resistor 1KΩ F 1/16W (RoHS)	1	R683	T1D
37	3001051020000	Chip resistor 1KΩ F 1/16W (RoHS)	1	R684	T4H
38	3001051020000	Chip resistor 1KΩ F 1/16W (RoHS)	1	R690	B4J
39	3001051020000	Chip resistor 1KΩ F 1/16W (RoHS)	1	R691	B4J
40	3001051020000	Chip resistor 1KΩ F 1/16W (RoHS)	1	R692	B3J
41	3001051020000	Chip resistor 1KΩ F 1/16W (RoHS)	1	R693	B3J

No.	Part No.	Description	Qty	Ref No.	Print No.
42	3001051020000	Chip resistor 1KΩ F 1/16W (RoHS)	1	R696	B4J
43	3001051020000	Chip resistor 1KΩ F 1/16W (RoHS)	1	R697	B4J
44	3001051020000	Chip resistor 1KΩ F 1/16W (RoHS)	1	R698	B4J
45	3001051030000	Chip resistor 10KΩ J 1/16W (RoHS)	1	R103	T5I
46	3001051030000	Chip resistor 10KΩ J 1/16W (RoHS)	1	R107	T4H
47	3001051030000	Chip resistor 10KΩ J 1/16W (RoHS)	1	R208	B2H
48	3001051030000	Chip resistor 10KΩ J 1/16W (RoHS)	1	R219	B1F
49	3001051030000	Chip resistor 10KΩ J 1/16W (RoHS)	1	R413	T3F
50	3001051030000	Chip resistor 10KΩ J 1/16W (RoHS)	1	R428	B4E
51	3001051030000	Chip resistor 10KΩ J 1/16W (RoHS)	1	R430	T3G
52	3001051030000	Chip resistor 10KΩ J 1/16W (RoHS)	1	R433	T3F
53	3001051030000	Chip resistor 10KΩ J 1/16W (RoHS)	1	R616	B2I
54	3001051030000	Chip resistor 10KΩ J 1/16W (RoHS)	1	R617	B2I
55	3001051040000	Chip resistor 100KΩ F 1/16W (RoHS)	1	R113	T5F
56	3001051040000	Chip resistor 100KΩ F 1/16W (RoHS)	1	R120	T4I
57	3001051040000	Chip resistor 100KΩ F 1/16W (RoHS)	1	R213	B2H
58	3001051040000	Chip resistor 100KΩ F 1/16W (RoHS)	1	R513	T3E
59	3001051040000	Chip resistor 100KΩ F 1/16W (RoHS)	1	R517	T2F
60	3001051040000	Chip resistor 100KΩ F 1/16W (RoHS)	1	R518	T2F
61	3001051040000	Chip resistor 100KΩ F 1/16W (RoHS)	1	R521	T2E
62	3001051040000	Chip resistor 100KΩ F 1/16W (RoHS)	1	R522	T3E
63	3001051040000	Chip resistor 100KΩ F 1/16W (RoHS)	1	R526	T2E
64	3001051040000	Chip resistor 100KΩ F 1/16W (RoHS)	1	R603	B5I
65	3001051050000	Chip resistor 1MΩ F 1/16W (RoHS)	1	R218	B1F
66	3001051050000	Chip resistor 1MΩ F 1/16W (RoHS)	1	R405	B4E
67	3001051050000	Chip resistor 1MΩ F 1/16W (RoHS)	1	R435	B3E
68	3001051050000	Chip resistor 1MΩ F 1/16W (RoHS)	1	R501	T2H
69	3001051230000	Chip resistor 12KΩ J 1/16W (RoHS)	1	R206	B4I
70	3001051230000	Chip resistor 12KΩ J 1/16W (RoHS)	1	R224	B5I
71	3001051230000	Chip resistor 12KΩ J 1/16W (RoHS)	1	R512	T3E
72	3001051230000	Chip resistor 12KΩ J 1/16W (RoHS)	1	R544	T3J
73	3001051510000	Chip resistor 150Ω J 1/16W (RoHS)	1	R115	T4G
74	3001051530000	Chip resistor 15KΩ J 1/16W (RoHS)	1	R543	T4J
75	3001051540020	Chip resistor 150KΩ J 1/16W (RoHS)	1	R523	T1F
76	3001051540020	Chip resistor 150KΩ J 1/16W (RoHS)	1	R545	T3J
77	3001051820000	Chip resistor 1.8KΩ J 1/16W (RoHS)	1	R414	T4E
78	3001051220000	Chip resistor 1.2KΩ J 1/16W (RoHS)	1	R529	T1G
79	3001051840000	Chip resistor 180KΩ J 1/16W (RoHS)	1	R528	T2G
80	3001052200000	Chip resistor 22Ω J 1/16W (RoHS)	1	R651	B1H
81	3001052210000	Chip resistor 220Ω J 1/16W (RoHS)	1	R126	T3G
82	3001052210000	Chip resistor 220Ω J 1/16W (RoHS)	1	R201	B1F
83	3001052210000	Chip resistor 220Ω J 1/16W (RoHS)	1	R516	T1G
84	3001052210000	Chip resistor 220Ω J 1/16W (RoHS)	1	R519	T3E

No.	Part No.	Description	Qty	Ref No.	Print No.
85	3001052220010	Chip resistor 2.2KΩ F 1/16W (RoHS)	1	R202	B1F
86	3001052220010	Chip resistor 2.2KΩ F 1/16W (RoHS)	1	R216	B2H
87	3001052220010	Chip resistor 2.2KΩ F 1/16W (RoHS)	1	R310	B2D
88	3001052220010	Chip resistor 2.2KΩ F 1/16W (RoHS)	1	R327	T1I
89	3001052220010	Chip resistor 2.2KΩ F 1/16W (RoHS)	1	R507	T2H
90	3001052220010	Chip resistor 2.2KΩ F 1/16W (RoHS)	1	R510	T3J
91	3001052230010	Chip resistor 22KΩ J 1/16W (RoHS)	1	R215	B2H
92	3001052240000	Chip resistor 220KΩ J 1/16W (RoHS)	1	R509	T3H
93	3001052240000	Chip resistor 220KΩ J 1/16W (RoHS)	1	R562	T2I
94	3001052240000	Chip resistor 220KΩ J 1/16W (RoHS)	1	R602	B5I
95	3001052240000	Chip resistor 220KΩ J 1/16W (RoHS)	1	R649	B1H
96	3001052710000	Chip resistor 270Ω F 1/16W (RoHS)	1	R537	T2G
97	3001053310000	Chip resistor 330Ω F (RoHS)	1	R409	T4F
98	3001053310000	Chip resistor 330Ω F (RoHS)	1	R432	T3G
99	3001053320000	Chip resistor 3.3KΩ J 1/16W (RoHS)	1	R110	T4H
100	3001053320000	Chip resistor 3.3KΩ J 1/16W (RoHS)	1	R203	B2H
101	3001053320000	Chip resistor 3.3KΩ J 1/16W (RoHS)	1	R204	B2H
102	3001053320000	Chip resistor 3.3KΩ J 1/16W (RoHS)	1	R431	T3G
103	3001053320000	Chip resistor 3.3KΩ J 1/16W (RoHS)	1	R536	T3I
104	3001053320000	Chip resistor 3.3KΩ J 1/16W (RoHS)	1	R538	T3I
105	3001053320000	Chip resistor 3.3KΩ J 1/16W (RoHS)	1	R561	T3I
106	3001053330010	Chip resistor 33KΩ J 1/16W (RoHS)	1	R125	T5I
107	3001053330010	Chip resistor 33KΩ J 1/16W (RoHS)	1	R416	T5E
108	3001053330010	Chip resistor 33KΩ J 1/16W (RoHS)	1	R542	T4J
109	3001053330010	Chip resistor 33KΩ J 1/16W (RoHS)	1	R559	T3I
110	3001053330010	Chip resistor 33KΩ J 1/16W (RoHS)	1	R563	T3J
111	3001053340000	Chip resistor 330KΩ J 1/16W (RoHS)	1	R127	T3G
112	3001054700000	Chip resistor 47Ω J 1/16W (RoHS)	1	R410	T5E
113	3001054700000	Chip resistor 47Ω J 1/16W (RoHS)	1	R415	T5E
114	3001054700000	Chip resistor 47Ω J 1/16W (RoHS)	1	R618	B2I
115	3001054700000	Chip resistor 47Ω J 1/16W (RoHS)	1	R619	B2I
116	3001054710000	Chip resistor 470Ω J 1/16W (RoHS)	1	R625	B4A
117	3001054720000	Chip resistor 4.7KΩ J 1/16W (RoHS)	1	R112	T3F
118	3001054720000	Chip resistor 4.7KΩ J 1/16W (RoHS)	1	R311	B2D
119	3001054720000	Chip resistor 4.7KΩ J 1/16W (RoHS)	1	R434	T3F
120	3001054720000	Chip resistor 4.7KΩ J 1/16W (RoHS)	1	R436	B3F
121	3001054720000	Chip resistor 4.7KΩ J 1/16W (RoHS)	1	R437	B3F
122	3001054720000	Chip resistor 4.7KΩ J 1/16W (RoHS)	1	R608	B2J
123	3001054720000	Chip resistor 4.7KΩ J 1/16W (RoHS)	1	R633	B5H
124	3001054730000	Chip resistor 47KΩ J 1/16W (RoHS)	1	R106	T5G
125	3001054730000	Chip resistor 47KΩ J 1/16W (RoHS)	1	R116	T4G
126	3001054730000	Chip resistor 47KΩ J 1/16W (RoHS)	1	R205	B2H
127	3001054730000	Chip resistor 47KΩ J 1/16W (RoHS)	1	R217	B1F



No.	Part No.	Description	Qty	Ref No.	Print No.
128	3001054730000	Chip resistor 47KΩ J 1/16W (RoHS)	1	R312	B3D
129	3001054730000	Chip resistor 47KΩ J 1/16W (RoHS)	1	R320	B1F
130	3001054730000	Chip resistor 47KΩ J 1/16W (RoHS)	1	R417	T5E
131	3001054730000	Chip resistor 47KΩ J 1/16W (RoHS)	1	R553	B1D
132	3001054730000	Chip resistor 47KΩ J 1/16W (RoHS)	1	R610	B3J
133	3001054730000	Chip resistor 47KΩ J 1/16W (RoHS)	1	R611	B3J
134	3001054730000	Chip resistor 47KΩ J 1/16W (RoHS)	1	R612	B3J
135	3001054730000	Chip resistor 47KΩ J 1/16W (RoHS)	1	R613	T2D
136	3001054730000	Chip resistor 47KΩ J 1/16W (RoHS)	1	R620	B3J
137	3001054730000	Chip resistor 47KΩ J 1/16W (RoHS)	1	R624	B2I
138	3001054740000	Chip resistor 470KΩ J 1/16W (RoHS)	1	R548	T4J
139	3001054740000	Chip resistor 470KΩ J 1/16W (RoHS)	1	R549	T4J
140	3001054790000	Chip resistor 4.7Ω J 1/16W (RoHS)	1	R318	B2D
141	3001055610000	Chip resistor 560Ω J 1/16W (RoHS)	1	R118	T4H
142	3001055630000	Chip resistor 56KΩ J 1/16W (RoHS)	1	R411	T5E
143	3001055630000	Chip resistor 56KΩ J 1/16W (RoHS)	1	R615	T1D
144	3001056810000	Chip resistor 680Ω J 1/16W (RoHS)	1	R646	B1G
145	3001056830000	Chip resistor 68KΩ J 1/16W (RoHS)	1	R102	T5I
146	3001056830000	Chip resistor 68KΩ J 1/16W (RoHS)	1	R124	T3G
147	3001058220000	Chip resistor 8.2KΩ J 1/16W (RoHS)	1	R407	B4E
148	3001058220000	Chip resistor 8.2KΩ J 1/16W (RoHS)	1	R514	T3E
149	3001058220000	Chip resistor 8.2KΩ J 1/16W (RoHS)	1	R607	B5I
150	3001058230000	Chip resistor 82KΩ J 1/16W (RoHS)	1	R524	T3J
151	3001060000000	Chip resistor 0Ω J 1/10W (RoHS)	1	L403	T5E
152	3001060000000	Chip resistor 0Ω J 1/10W (RoHS)	1	R555	T3I
153	3001062710000	Chip resistor 270Ω J 1/10W (RoHS)	1	R418	B4B
154	3001062710000	Chip resistor 270Ω J 1/10W (RoHS)	1	R444	B4B
155	3001061540010	Chip resistor 150KΩ D 1/10W (RoHS)	1	R422	B4F
156	3001061540010	Chip resistor 150KΩ D 1/10W (RoHS)	1	R423	B4F
157	3001061540010	Chip resistor 150KΩ D 1/10W (RoHS)	1	R424	B4F
158	3001061540010	Chip resistor 150KΩ D 1/10W (RoHS)	1	R425	B4F
159	3001061540010	Chip resistor 150KΩ D 1/10W (RoHS)	1	R426	B4F
160	3001061540010	Chip resistor 150KΩ D 1/10W (RoHS)	1	R427	B4F
161	3001070000000	Chip resistor 0Ω J 1/8W (RoHS)	1	R326	B1C
162	3002991030160	Adjustable resistor 10K ±25% 0.15W (RoHS)	1	VR101	T4I
163	3005051020010	Integrated resistor 1K J 1/16W (RoHS)	1	RN101	T4J
164	3099080398000	Chip resistor 0.39Ω J 1/4W (RoHS)	1	R419	B3B
165	3099080398000	Chip resistor 0.39Ω J 1/4W (RoHS)	1	R420	B3B
166	3099080398000	Chip resistor 0.39Ω J 1/4W (RoHS)	1	R421	B4B
167	3101050200010	Chip capacitor 2PF B 50V C0G (RoHS)	1	C137	T3H
168	3101050200010	Chip capacitor 2PF B 50V C0G (RoHS)	1	C151	T3G
169	3101050200010	Chip capacitor 2PF B 50V C0G (RoHS)	1	C501	T4C
170	3101050400010	Chip capacitor 4PF B 50V COG (RoHS)	1	C502	T4C

No.	Part No.	Description	Qty	Ref No.	Print No.
171	3101050400010	Chip capacitor 4PF B 50V COG (RoHS)	1	C568	T2F
172	3101050400010	Chip capacitor 4PF B 50V COG (RoHS)	1	C573	T2F
173	3101050500010	Chip capacitor 5PF B 50V COG (RoHS)	1	C118	T3H
174	3101050500010	Chip capacitor 5PF B 50V COG (RoHS)	1	C504	T4D
175	3101050500010	Chip capacitor 5PF B 50V COG (RoHS)	1	C511	T3D
176	3101050500010	Chip capacitor 5PF B 50V COG (RoHS)	1	C527	T2F
177	3101050590020	Chip capacitor 0.5PF B 50V C0G (RoHS)	1	C109	T4G
178	3101050590020	Chip capacitor 0.5PF B 50V C0G (RoHS)	1	C144	T4G
179	3101050600010	Chip capacitor 6PF B 50V COG (RoHS)	1	C401	T3F
180	3101050600010	Chip capacitor 6PF B 50V COG (RoHS)	1	C404	T4F
181	3101050600010	Chip capacitor 6PF B 50V COG (RoHS)	1	C409	T5E
182	3101050600010	Chip capacitor 6PF B 50V COG (RoHS)	1	C453	T3G
183	3101050600010	Chip capacitor 6PF B 50V COG (RoHS)	1	C510	T3D
184	3101050600010	Chip capacitor 6PF B 50V COG (RoHS)	1	C533	T2F
185	3101050700010	Chip capacitor 7PF B 50V COG (RoHS)	1	C503	T4D
186	3101050700010	Chip capacitor 7PF B 50V COG (RoHS)	1	C517	T2F
187	3101050700010	Chip capacitor 7PF B 50V COG (RoHS)	1	C574	T3F
188	3101051000020	Chip capacitor 10PF J 50V C0G (RoHS)	1	C103	T4I
189	3101051000020	Chip capacitor 10PF J 50V C0G (RoHS)	1	C104	T4I
190	3101051000020	Chip capacitor 10PF J 50V C0G (RoHS)	1	C117	T4I
191	3101051000020	Chip capacitor 10PF J 50V C0G (RoHS)	1	C129	T3H
192	3101051000020	Chip capacitor 10PF J 50V C0G (RoHS)	1	C136	T3H
193	3101051000020	Chip capacitor 10PF J 50V C0G (RoHS)	1	C153	T3G
194	3101051000020	Chip capacitor 10PF J 50V C0G (RoHS)	1	C439	T3G
195	3101051000020	Chip capacitor 10PF J 50V C0G (RoHS)	1	C523	T2E
196	3101051010030	Chip capacitor 100PF J 50V C0G (RoHS)	1	C121	T4I
197	3101051010030	Chip capacitor 100PF J 50V C0G (RoHS)	1	C122	T4J
198	3101051010030	Chip capacitor 100PF J 50V C0G (RoHS)	1	C124	T4I
199	3101051010030	Chip capacitor 100PF J 50V C0G (RoHS)	1	C125	T4I
200	3101051010030	Chip capacitor 100PF J 50V C0G (RoHS)	1	C127	T4H
201	3101051010030	Chip capacitor 100PF J 50V C0G (RoHS)	1	C131	T5H
202	3101051010030	Chip capacitor 100PF J 50V C0G (RoHS)	1	C143	T4I
203	3101051010030	Chip capacitor 100PF J 50V C0G (RoHS)	1	C150	T3G
204	3101051010030	Chip capacitor 100PF J 50V C0G (RoHS)	1	C202	B1F
205	3101051010030	Chip capacitor 100PF J 50V C0G (RoHS)	1	C203	B2D
206	3101051010030	Chip capacitor 100PF J 50V C0G (RoHS)	1	C314	B1C
207	3101051010030	Chip capacitor 100PF J 50V C0G (RoHS)	1	C416	T4E
208	3101051010030	Chip capacitor 100PF J 50V C0G (RoHS)	1	C525	T3E
209	3101051010030	Chip capacitor 100PF J 50V C0G (RoHS)	1	C534	T2F
210	3101051010030	Chip capacitor 100PF J 50V C0G (RoHS)	1	C563	T2E
211	3101051010030	Chip capacitor 100PF J 50V C0G (RoHS)	1	C629	B2H
212	3101051020010	Chip capacitor 1000PF K 50V X7R (RoHS)	1	C102	T4J
213	3101051020010	Chip capacitor 1000PF K 50V X7R (RoHS)	1	C105	T4H

No.	Part No.	Description	Qty	Ref No.	Print No.
214	3101051020010	Chip capacitor 1000PF K 50V X7R (RoHS)	1	C113	T4I
215	3101051020010	Chip capacitor 1000PF K 50V X7R (RoHS)	1	C120	T5J
216	3101051020010	Chip capacitor 1000PF K 50V X7R (RoHS)	1	C126	T5I
217	3101051020010	Chip capacitor 1000PF K 50V X7R (RoHS)	1	C133	T4H
218	3101051020010	Chip capacitor 1000PF K 50V X7R (RoHS)	1	C139	T3F
219	3101051020010	Chip capacitor 1000PF K 50V X7R (RoHS)	1	C141	T3G
220	3101051020010	Chip capacitor 1000PF K 50V X7R (RoHS)	1	C145	T5F
221	3101051020010	Chip capacitor 1000PF K 50V X7R (RoHS)	1	C154	T4I
222	3101051020010	Chip capacitor 1000PF K 50V X7R (RoHS)	1	C216	B2H
223	3101051020010	Chip capacitor 1000PF K 50V X7R (RoHS)	1	C219	B1F
224	3101051020010	Chip capacitor 1000PF K 50V X7R (RoHS)	1	C328	B3D
225	3101051020010	Chip capacitor 1000PF K 50V X7R (RoHS)	1	C331	T1I
226	3101051020010	Chip capacitor 1000PF K 50V X7R (RoHS)	1	C412	T5E
227	3101051020010	Chip capacitor 1000PF K 50V X7R (RoHS)	1	C413	T4E
228	3101051020010	Chip capacitor 1000PF K 50V X7R (RoHS)	1	C417	T5E
229	3101051020010	Chip capacitor 1000PF K 50V X7R (RoHS)	1	C462	B3E
230	3101051020010	Chip capacitor 1000PF K 50V X7R (RoHS)	1	C505	T3E
231	3101051020010	Chip capacitor 1000PF K 50V X7R (RoHS)	1	C543	T3I
232	3101051020010	Chip capacitor 1000PF K 50V X7R (RoHS)	1	C553	T3H
233	3101051020010	Chip capacitor 1000PF K 50V X7R (RoHS)	1	C564	T2E
234	3101051020010	Chip capacitor 1000PF K 50V X7R (RoHS)	1	C605	B5I
235	3101051020010	Chip capacitor 1000PF K 50V X7R (RoHS)	1	C613	B2I
236	3101051020010	Chip capacitor 1000PF K 50V X7R (RoHS)	1	C616	B3J
237	3101051020010	Chip capacitor 1000PF K 50V X7R (RoHS)	1	C640	T2A
238	3101051030020	Chip capacitor 0.01UF K 25V X7R (RoHS)	1	C138	T3F
239	3101051030020	Chip capacitor 0.01UF K 25V X7R (RoHS)	1	C322	B2E
240	3101051030020	Chip capacitor 0.01UF K 25V X7R (RoHS)	1	C437	T4C
241	3101051030020	Chip capacitor 0.01UF K 25V X7R (RoHS)	1	C540	T1F
242	3101051030020	Chip capacitor 0.01UF K 25V X7R (RoHS)	1	C541	T2G
243	3101051030020	Chip capacitor 0.01UF K 25V X7R (RoHS)	1	C544	T2G
244	3101051030020	Chip capacitor 0.01UF K 25V X7R (RoHS)	1	C559	T3I
245	3101051030020	Chip capacitor 0.01UF K 25V X7R (RoHS)	1	C565	T4I
246	3101051030020	Chip capacitor 0.01UF K 25V X7R (RoHS)	1	C579	T1G
247	3101051030020	Chip capacitor 0.01UF K 25V X7R (RoHS)	1	C580	T4I
248	3101051030020	Chip capacitor 0.01UF K 25V X7R (RoHS)	1	C581	T4J
249	3101051030020	Chip capacitor 0.01UF K 25V X7R (RoHS)	1	C583	T4J
250	3101051030020	Chip capacitor 0.01UF K 25V X7R (RoHS)	1	C584	T4J
251	3101051030020	Chip capacitor 0.01UF K 25V X7R (RoHS)	1	C585	T3J
252	3101051030020	Chip capacitor 0.01UF K 25V X7R (RoHS)	1	C586	T3J
253	3101051030020	Chip capacitor 0.01UF K 25V X7R (RoHS)	1	C587	T3J
254	3101051030020	Chip capacitor 0.01UF K 25V X7R (RoHS)	1	C589	T4J
255	3101051030020	Chip capacitor 0.01UF K 25V X7R (RoHS)	1	C591	T3J
256	3101051030020	Chip capacitor 0.01UF K 25V X7R (RoHS)	1	C595	T2I

No.	Part No.	Description	Qty	Ref No.	Print No.
257	3101051030020	Chip capacitor 0.01UF K 25V X7R (RoHS)	1	C612	B2J
258	3101051030020	Chip capacitor 0.01UF K 25V X7R (RoHS)	1	C617	B3J
259	3101051030020	Chip capacitor 0.01UF K 25V X7R (RoHS)	1	C635	B4H
260	3101051030020	Chip capacitor 0.01UF K 25V X7R (RoHS)	1	C637	B4I
261	3101051030020	Chip capacitor 0.01UF K 25V X7R (RoHS)	1	C648	T1D
262	3101051030020	Chip capacitor 0.01UF K 25V X7R (RoHS)	1	C649	B3J
263	3101051030020	Chip capacitor 0.01UF K 25V X7R (RoHS)	1	C663	T2E
264	3101051040060	Chip capacitor 0.1UF K 16V X7R (RoHS)	1	C123	T5J
265	3101051040060	Chip capacitor 0.1UF K 16V X7R (RoHS)	1	C134	T4G
266	3101051040060	Chip capacitor 0.1UF K 16V X7R (RoHS)	1	C135	T4H
267	3101051040060	Chip capacitor 0.1UF K 16V X7R (RoHS)	1	C146	T4G
268	3101051040060	Chip capacitor 0.1UF K 16V X7R (RoHS)	1	C217	B1F
269	3101051040060	Chip capacitor 0.1UF K 16V X7R (RoHS)	1	C220	B2H
270	3101051040060	Chip capacitor 0.1UF K 16V X7R (RoHS)	1	C326	B2D
271	3101051040060	Chip capacitor 0.1UF K 16V X7R (RoHS)	1	C327	B3D
272	3101051040060	Chip capacitor 0.1UF K 16V X7R (RoHS)	1	C334	B1A
273	3101051040060	Chip capacitor 0.1UF K 16V X7R (RoHS)	1	C422	B4E
274	3101051040060	Chip capacitor 0.1UF K 16V X7R (RoHS)	1	C436	T4C
275	3101051040060	Chip capacitor 0.1UF K 16V X7R (RoHS)	1	C441	B5F
276	3101051040060	Chip capacitor 0.1UF K 16V X7R (RoHS)	1	C463	B3E
277	3101051040060	Chip capacitor 0.1UF K 16V X7R (RoHS)	1	C464	B3F
278	3101051040060	Chip capacitor 0.1UF K 16V X7R (RoHS)	1	C514	T3E
279	3101051040060	Chip capacitor 0.1UF K 16V X7R (RoHS)	1	C520	T2H
280	3101051040060	Chip capacitor 0.1UF K 16V X7R (RoHS)	1	C521	T3F
281	3101051040060	Chip capacitor 0.1UF K 16V X7R (RoHS)	1	C547	B2J
282	3101051040060	Chip capacitor 0.1UF K 16V X7R (RoHS)	1	C548	T2J
283	3101051040060	Chip capacitor 0.1UF K 16V X7R (RoHS)	1	C576	T2I
284	3101051040060	Chip capacitor 0.1UF K 16V X7R (RoHS)	1	C577	T2I
285	3101051040060	Chip capacitor 0.1UF K 16V X7R (RoHS)	1	C592	T3I
286	3101051040060	Chip capacitor 0.1UF K 16V X7R (RoHS)	1	C606	T2B
287	3101051040060	Chip capacitor 0.1UF K 16V X7R (RoHS)	1	C643	T2A
288	3101051040060	Chip capacitor 0.1UF K 16V X7R (RoHS)	1	C659	B1F
289	3101051040060	Chip capacitor 0.1UF K 16V X7R (RoHS)	1	C668	B2H
290	3101051040060	Chip capacitor 0.1UF K 16V X7R (RoHS)	1	C670	B1H
291	3101051050000	Chip capacitor 1UF K 6.3V X5R (RoHS)	1	C321	B2D
292	3101051050000	Chip capacitor 1UF K 6.3V X5R (RoHS)	1	C590	B1I
293	3101051050000	Chip capacitor 1UF K 6.3V X5R (RoHS)	1	C627	B2I
294	3101051050000	Chip capacitor 1UF K 6.3V X5R (RoHS)	1	C628	B2I
295	3101051050000	Chip capacitor 1UF K 6.3V X5R (RoHS)	1	C634	B4H
296	3101051050000	Chip capacitor 1UF K 6.3V X5R (RoHS)	1	C660	B1F
297	3101051500020	Chip capacitor 15PF J 50V COG (RoHS)	1	C106	T4G
298	3101051500020	Chip capacitor 15PF J 50V COG (RoHS)	1	C538	T3I
299	3101051500020	Chip capacitor 15PF J 50V COG (RoHS)	1	C638	B5I

No.	Part No.	Description	Qty	Ref No.	Print No.
300	3101051500020	Chip capacitor 15PF J 50V COG (RoHS)	1	C639	B4I
301	3101051590000	Chip capacitor 1.5PF B 50V (RoHS)	1	C558	T2F
302	3101052200010	Chip capacitor 22PF J 50V COG (RoHS)	1	C107	T4G
303	3101052200010	Chip capacitor 22PF J 50V COG (RoHS)	1	C513	T3E
304	3101052200010	Chip capacitor 22PF J 50V COG (RoHS)	1	C526	T2I
305	3101052200010	Chip capacitor 22PF J 50V COG (RoHS)	1	C594	T3I
306	3101052230000	Chip capacitor 0.022UF K 16V X7R (RoHS)	1	C572	T3I
307	3101052230000	Chip capacitor 0.022UF K 16V X7R (RoHS)	1	C642	B5I
308	3101052230000	Chip capacitor 0.022UF K 16V X7R (RoHS)	1	C645	B5E
309	3101052240010	Chip capacitor 0.22UF Z 10V Y5V (RoHS)	1	C208	B2H
310	3101052240010	Chip capacitor 0.22UF Z 10V Y5V (RoHS)	1	C588	T3J
311	3101052240010	Chip capacitor 0.22UF Z 10V Y5V (RoHS)	1	C597	T2I
312	3101052240010	Chip capacitor 0.22UF Z 10V Y5V (RoHS)	1	C671	B1H
313	3101052240010	Chip capacitor 0.22UF Z 10V Y5V (RoHS)	1	c333	T1I
314	3101053690000	Chip capacitor 3.6PF B 50V COG (RoHS)	1	C530	T2F
315	3101054710010	Chip capacitor 470PF K 50V X7R (RoHS)	1	C119	T3H
316	3101054710010	Chip capacitor 470PF K 50V X7R (RoHS)	1	C142	T5G
317	3101054710010	Chip capacitor 470PF K 50V X7R (RoHS)	1	C147	T4G
318	3101054710010	Chip capacitor 470PF K 50V X7R (RoHS)	1	C152	T3H
319	3101054710010	Chip capacitor 470PF K 50V X7R (RoHS)	1	C209	B2H
320	3101054710010	Chip capacitor 470PF K 50V X7R (RoHS)	1	C330	B3E
321	3101054710010	Chip capacitor 470PF K 50V X7R (RoHS)	1	C332	B2D
322	3101054710010	Chip capacitor 470PF K 50V X7R (RoHS)	1	C403	B3E
323	3101054710010	Chip capacitor 470PF K 50V X7R (RoHS)	1	C406	T5F
324	3101054710010	Chip capacitor 470PF K 50V X7R (RoHS)	1	C407	T3F
325	3101054710010	Chip capacitor 470PF K 50V X7R (RoHS)	1	C408	T4F
326	3101054710010	Chip capacitor 470PF K 50V X7R (RoHS)	1	C411	T3G
327	3101054710010	Chip capacitor 470PF K 50V X7R (RoHS)	1	C424	T5E
328	3101054710010	Chip capacitor 470PF K 50V X7R (RoHS)	1	C426	B4C
329	3101054710010	Chip capacitor 470PF K 50V X7R (RoHS)	1	C440	T4C
330	3101054710010	Chip capacitor 470PF K 50V X7R (RoHS)	1	C443	B4F
331	3101054710010	Chip capacitor 470PF K 50V X7R (RoHS)	1	C444	B4F
332	3101054710010	Chip capacitor 470PF K 50V X7R (RoHS)	1	C445	B4E
333	3101054710010	Chip capacitor 470PF K 50V X7R (RoHS)	1	C446	B4E
334	3101054710010	Chip capacitor 470PF K 50V X7R (RoHS)	1	C447	B4E
335	3101054710010	Chip capacitor 470PF K 50V X7R (RoHS)	1	C455	T3F
336	3101054710010	Chip capacitor 470PF K 50V X7R (RoHS)	1	C524	T3F
337	3101054710010	Chip capacitor 470PF K 50V X7R (RoHS)	1	C528	T2J
338	3101054710010	Chip capacitor 470PF K 50V X7R (RoHS)	1	C539	T1F
339	3101054710010	Chip capacitor 470PF K 50V X7R (RoHS)	1	C542	T2G
340	3101054710010	Chip capacitor 470PF K 50V X7R (RoHS)	1	C562	T2H
341	3101054710010	Chip capacitor 470PF K 50V X7R (RoHS)	1	C570	T4I
342	3101054710010	Chip capacitor 470PF K 50V X7R (RoHS)	1	C578	T1G

No.	Part No.	Description	Qty	Ref No.	Print No.
343	3101054710010	Chip capacitor 470PF K 50V X7R (RoHS)	1	C582	T2G
344	3101054710010	Chip capacitor 470PF K 50V X7R (RoHS)	1	C593	T3I
345	3101054710010	Chip capacitor 470PF K 50V X7R (RoHS)	1	C607	T2D
346	3101054710010	Chip capacitor 470PF K 50V X7R (RoHS)	1	C622	B2I
347	3101054710010	Chip capacitor 470PF K 50V X7R (RoHS)	1	C623	B4J
348	3101054710010	Chip capacitor 470PF K 50V X7R (RoHS)	1	C624	B4J
349	3101054710010	Chip capacitor 470PF K 50V X7R (RoHS)	1	C625	B3J
350	3101054710010	Chip capacitor 470PF K 50V X7R (RoHS)	1	C626	B3J
351	3101054710010	Chip capacitor 470PF K 50V X7R (RoHS)	1	C632	B4H
352	3101054710010	Chip capacitor 470PF K 50V X7R (RoHS)	1	C633	B4H
353	3101054710010	Chip capacitor 470PF K 50V X7R (RoHS)	1	C636	B4I
354	3101054710010	Chip capacitor 470PF K 50V X7R (RoHS)	1	C644	B4H
355	3101054710010	Chip capacitor 470PF K 50V X7R (RoHS)	1	C655	B4H
356	3101054710010	Chip capacitor 470PF K 50V X7R (RoHS)	1	C656	T2B
357	3101054710010	Chip capacitor 470PF K 50V X7R (RoHS)	1	C661	B1G
358	3101054710010	Chip capacitor 470PF K 50V X7R (RoHS)	1	C662	B1G
359	3101054710010	Chip capacitor 470PF K 50V X7R (RoHS)	1	C664	B1G
360	3101054710010	Chip capacitor 470PF K 50V X7R (RoHS)	1	C669	B1H
361	3101054710010	Chip capacitor 470PF K 50V X7R (RoHS)	1	C673	B4A
362	3101054710010	Chip capacitor 470PF K 50V X7R (RoHS)	1	C674	B4A
363	3101054720000	Chip capacitor 4700PF K 50V X7R (RoHS)	1	C204	B2H
364	3101054720000	Chip capacitor 4700PF K 50V X7R (RoHS)	1	C205	B2H
365	3101054720000	Chip capacitor 4700PF K 50V X7R (RoHS)	1	C647	B2H
366	3101054720000	Chip capacitor 4700PF K 50V X7R (RoHS)	1	C675	B1E
367	3101054740020	Chip capacitor 0.47uF K 10V X5R (RoHS)	1	C537	T4J
368	3101054740020	Chip capacitor 0.47uF K 10V X5R (RoHS)	1	C672	B1H
369	3101055600000	Chip capacitor 56PF J 50V COG (RoHS)	1	C414	T4E
370	3101055600000	Chip capacitor 56PF J 50V COG (RoHS)	1	C596	T3I
371	3101056800000	Chip capacitor 68PF J 50V COG (RoHS)	1	C415	T4E
372	3101056800000	Chip capacitor 68PF J 50V COG (RoHS)	1	C688	T2B
373	3101060100010	Chip capacitor 1PF B 50V C0G (RoHS)	1	C429	T4B
374	3101061050020	Chip capacitor 1UF K 25V X5R (RoHS)	1	C609	B2J
375	3101061050020	Chip capacitor 1UF K 25V X5R (RoHS)	1	C618	B3J
376	3101061050020	Chip capacitor 1UF K 25V X5R (RoHS)	1	C621	B2J
377	3101061050020	Chip capacitor 1UF K 25V X5R (RoHS)	1	C630	T1D
378	3101061590010	Chip capacitor 1.5PF B 50V COG (RoHS)	1	C431	T4B
379	3101061590010	Chip capacitor 1.5PF B 50V COG (RoHS)	1	C433	T4B
380	3101062210000	Chip capacitor 220PF J 50V COG (RoHS)	1	C427	T3C
381	3101051050160	Chip capacitor 1uF K 10V X5R (RoHS)	1	C218	B1F
382	3101051050160	Chip capacitor 1uF K 10V X5R (RoHS)	1	C555	T3I
383	3101062250000	Chip capacitor 2.2UF K 10V X5R (RoHS)	1	C604	T2D
384	3101062250000	Chip capacitor 2.2UF K 10V X5R (RoHS)	1	C614	T2E
385	3101062250000	Chip capacitor 2.2UF K 10V X5R (RoHS)	1	C615	T2D

No.	Part No.	Description	Qty	Ref No.	Print No.
386	3101064790010	Chip capacitor 4.7PF B 50V COG (RoHS)	1	C112	T4G
387	3101082260020	Chip capacitor 22UF M 10V X5R (RoHS)	1	C329	B3D
388	3104074750070	Tantalum capacitor 4.7UF M 10V (RoHS)	1	C128	T4I
389	3104074750070	Tantalum capacitor 4.7UF M 10V (RoHS)	1	C140	T3G
390	3104074750070	Tantalum capacitor 4.7UF M 10V (RoHS)	1	C149	T4I
391	3104074750070	Tantalum capacitor 4.7UF M 10V (RoHS)	1	C201	B1F
392	3104074750070	Tantalum capacitor 4.7UF M 10V (RoHS)	1	C206	B5H
393	3104074750070	Tantalum capacitor 4.7UF M 10V (RoHS)	1	C619	B1F
394	3104081060120	Tantalum capacitor 10UF M 16V (RoHS)	1	C323	B1D
395	3104082260060	Tantalum capacitor 22UF K 10V (RoHS)	1	C611	T2B
396	3210107221000	Wire-wound inductor 220nH J 240mA 0.70ohm 805(RoHS)	1	L411	B4C
397	3210209102010	Wire-wound inductor 1uH M 445mA 0.5ohm 1210(RoHS)	1	L415	B5B
398	3210305180000	Multi-layer chip inductor 18nH J 300mA 0.36ohm 402(RoHS)	1	L112	T3H
399	3210305220000	Multi-layer chip inductor 22nH J 300mA 0.42ohm 402(RoHS)	1	L111	T3G
400	3210305220000	Multi-layer chip inductor 22nH J 300mA 0.42ohm 402(RoHS)	1	L114	T3H
401	3210305220000	Multi-layer chip inductor 22nH J 300mA 0.42ohm 402(RoHS)	1	L404	T3G
402	3210305220000	Multi-layer chip inductor 22nH J 300mA 0.42ohm 402(RoHS)	1	L418	T4F
403	3210305220000	Multi-layer chip inductor 22nH J 300mA 0.42ohm 402(RoHS)	1	L505	T3E
404	3210305220000	Multi-layer chip inductor 22nH J 300mA 0.42ohm 402(RoHS)	1	L525	T2F
405	3210305270000	Multi-layer chip inductor 27nH J 300mA 0.46ohm 402(RoHS)	1	L507	T3F
406	3210305270000	Multi-layer chip inductor 27nH J 300mA 0.46ohm 402(RoHS)	1	L510	T2F
407	3212106221000	Multi-layer chip inductor 220nH J 300mA 0.4ohm 603(RoHS)	1	L108	T4G
408	3210306561010	Multi-layer chip inductor 560nH K 35mA 1.55ohm 603(RoHS)	1	L511	T1G
409	3210306561010	Multi-layer chip inductor 560nH K 35mA 1.55ohm 603(RoHS)	1	L524	T1G
410	3213212102000	Wire-wound inductor 1uH J 245mA 1.1Ω (RoHS)	1	L406	T4E
411	3213306102000	Multi-layer chip inductor 1uH K 25mA 0.6Ω (RoHS)	1	L110	T4I
412	3213306102000	Multi-layer chip inductor 1uH K 25mA 0.6Ω (RoHS)	1	L201	B2H
413	3213306332000	Multi-layer chip inductor 3.3uH K 15mA 1.55Ω (RoHS)	1	L102	T5H
414	3213306332000	Multi-layer chip inductor 3.3uH K 15mA 1.55Ω (RoHS)	1	L103	T5G
415	3213306332000	Multi-layer chip inductor 3.3uH K 15mA 1.55Ω (RoHS)	1	L105	T4G
416	3221506601000	Bead 600Ω 100MHz ±25% 500mA (RoHS)	1	L106	T4F
417	3221506601000	Bead 600Ω 100MHz ±25% 500mA (RoHS)	1	L107	T5I
418	3221506601000	Bead 600Ω 100MHz ±25% 500mA (RoHS)	1	L109	T4I
419	3221506601000	Bead 600Ω 100MHz ±25% 500mA (RoHS)	1	L113	T5I
420	3221506601000	Bead 600Ω 100MHz ±25% 500mA (RoHS)	1	L402	T4E
421	3221506601000	Bead 600Ω 100MHz ±25% 500mA (RoHS)	1	L512	T2J
422	3221506601000	Bead 600Ω 100MHz ±25% 500mA (RoHS)	1	L523	T1G
423	3221506601000	Bead 600Ω 100MHz ±25% 500mA (RoHS)	1	L527	T3F
424	3221506601000	Bead 600Ω 100MHz ±25% 500mA (RoHS)	1	L602	T3H
425	3221506601000	Bead 600Ω 100MHz ±25% 500mA (RoHS)	1	L606	B2I
426	3221506601000	Bead 600Ω 100MHz ±25% 500mA (RoHS)	1	L607	T2D
427	3221507221000	Bead 220Ω 100MHz ±25% 2000mA (RoHS)	1	L407	B4E
428	3221507221000	Bead 220Ω 100MHz ±25% 2000mA (RoHS)	1	L608	T2A

No.	Part No.	Description	Qty	Ref No.	Print No.
429	3221507600000	Bead 60Ω 100MHz ±25% 3000mA (RoHS)	1	L410	B4C
430	3231351640000	Air-core inductor E2-0.35*1.6*4TL (RoHS)	1	L412	T3B
431	3231351640000	Air-core inductor E2-0.35*1.6*4TL (RoHS)	1	L413	T4B
432	3231351640000	Air-core inductor E2-0.35*1.6*4TL (RoHS)	1	L414	T5B
433	3231351640000	Air-core inductor E2-0.35*1.6*4TL (RoHS)	1	L501	T4C
434	3231351650000	Air-core inductor E2-0.35*1.6*5TL (RoHS)	1	L515	T2F
435	3231351650000	Air-core inductor E2-0.35*1.6*5TL (RoHS)	1	L518	T2E
436	3231351650000	Air-core inductor E2-0.35*1.6*5TL (RoHS)	1	L519	T3E
437	3231351650000	Air-core inductor E2-0.35*1.6*5TL (RoHS)	1	L520	T4D
438	3231351680000	Air-core inductor E2-0.35*1.6*8TR (RoHS)	1	L409	T4D
439	3302030500020	Zener diode 18V (RoHS)	1	D655	T2C
440	3303240000000	Switching diode 75V 200mA 1.25V 6ns(RoHS)	1	D104	T3F
441	3303990000060	Switching diode 35V 100mA 1V (RoHS)	1	D404	T3F
442	3303990000060	Switching diode 35V 100mA 1V (RoHS)	1	D405	T3F
443	3303990000060	Switching diode 35V 100mA 1V (RoHS)	1	D502	T4C
444	3303990000060	Switching diode 35V 100mA 1V (RoHS)	1	D503	T4C
445	3303030300000	Schottky barrier diode 40V 30mA 0.26V/1mA (RoHS)	1	D616	B1H
446	3303060300010	Switching diode 60V 100mA 0.8V/10mA (RoHS)	1	D105	T4G
447	3304040200000	Varactor VR:30V 19.7pF/1VR 2.1pF/28VR (RoHS)	1	D103	T5G
448	3304180000000	Varactor 15V 9.3~21pF 2.2 (RoHS)	1	D510	T1F
449	3304180000000	Varactor 15V 9.3~21pF 2.2 (RoHS)	1	D513	T2E
450	3304180000000	Varactor 15V 9.3~21pF 2.2 (RoHS)	1	D514	T3E
451	3304180000000	Varactor 15V 9.3~21pF 2.2 (RoHS)	1	D515	T3D
452	3305180300000	Variable resistance diode 100mA max 1Ω (RoHS)	1	D401	T4C
453	3307110100060	LED 200mcd 30mA 1.9V(RoHS)	1	D602	B4A
454	3399990000260	Rectifier diode 10V 15mA 380mV/1mA (RoHS)	1	D505	T3E
455	3401001000490	PNP transistor 50V 150mA 200~400 (RoHS)	1	Q201	B2H
456	3401002000990	NPN transistor 10V 30mA 120~240 (RoHS)	1	Q104	T3G
457	3401002000990	NPN transistor 10V 30mA 120~240 (RoHS)	1	Q506	T2H
458	3403007000020	BRT Vce:50V Vloff:0.3V Vlon:1.4V 70mA (RoHS)	1	Q404	B4E
459	3403008000010	BRT Vce:50V Vloff:0.5V Vlon:3V 100mA (RoHS)	1	Q103	T4H
460	3403008000010	BRT Vce:50V Vloff:0.5V Vlon:3V 100mA (RoHS)	1	Q302	B3E
461	3403008000010	BRT Vce:50V Vloff:0.5V Vlon:3V 100mA (RoHS)	1	Q305	T2D
462	3403008000010	BRT Vce:50V Vloff:0.5V Vlon:3V 100mA (RoHS)	1	Q405	B4E
463	3408002000030	NPN transistor 12V 100mA 110 (RoHS)	1	Q105	T3G
464	3408002000030	NPN transistor 12V 100mA 110 (RoHS)	1	Q406	T3G
465	3411002000020	NPN transistor 50V 150mA 200~400 (RoHS)	1	Q101	T3F
466	3411002000020	NPN transistor 50V 150mA 200~400 (RoHS)	1	Q611	B1H
467	3418001000010	NPN transistor 10V 50mA 150 (RoHS)	1	Q501	T3E
468	3499000000140	N-JFET VGS:15V VGSoff:-1.4V IDSS:50mA (RoHS)	1	Q102	T4G
469	3499000000180	PNP transistor 12V 2.5A 180~270 (RoHS)	1	Q303	B3D
470	3501020000030	N-MOSFET VDS:6V ID:20mA VGS(th):0.7V (RoHS)	1	Q502	T2G
471	3503010000010	P-MOSFET VDS:-30V ID:-100mA VGS(th):-1.9V (RoHS)	1	Q604	T2D



No.	Part No.	Description	Qty	Ref No.	Print No.
472	3503020000030	N-MOSFET VDS:30V ID:100mA VGS(th):3.0V (RoHS)	1	Q202	B1F
473	3503020000030	N-MOSFET VDS:30V ID:100mA VGS(th):3.0V (RoHS)	1	Q304	T1I
474	3504990000010	Power amplifier VDS:30V ID:600mA VGS(th):1.8V 1.4W (RoHS)	1	Q402	T4E
475	3605008005070	Operational amplifier 3~32V 300mW 100dB (RoHS)	1	U401	B4E
476	3605017005540	Operational amplifier 1.8~15V 220mW 39dB (RoHS)	1	U302	B2D
477	3608015000000	Power management IC Regulators 5V (RoHS)	1	U604	T2B
478	3608015000050	Power management IC LDO 4.5V&4.5V 150mA (RoHS)	1	U606	T2D
479	3609006000000	Reset IC 2.7V SC-82 (RoHS)	1	U605	B2I
480	3609049000010	Power management IC LDO 3V 300mA (RoHS)	1	U602	B2J
481	3610999000060	SCM 100Pin H7 SICOMM(RoHS)	1	U601	B3I
482	3612031000510	Memory EEPROM 16KB 1.8~5.5V (RoHS)	1	U603	B2I
483	3701038450000	Crystal oscillator 38.4MHz ±3ppm 2.8V (RoHS)	1	XT101	T5I
484	3701327610060	Crystal 32.768KHz ±20ppm 12.5pF (RoHS)	1	X601	B5I
485	3001051520000	Chip resistor 1.5KΩ J 1/16W (RoHS)	1	R440	T4F
486	3001051520000	Chip resistor 1.5KΩ J 1/16W (RoHS)	1	R515	T2E
487	3001052730000	Chip resistor 27KΩ J 1/16W (RoHS)	1	R412	T5E
488	3001052730000	Chip resistor 27KΩ J 1/16W (RoHS)	1	R539	T4I
489	3001052730000	Chip resistor 27KΩ J 1/16W (RoHS)	1	R560	T3I
490	3001053920000	Chip resistor 3.9KΩ F 1/16W (RoHS)	1	R546	T3J
491	3001055620000	Chip resistor 5.6KΩ J 1/16W (RoHS)	1	R540	T4I
492	3001056840000	Chip resistor 680KΩ J 1/16W (RoHS)	1	R541	T4J
493	3001057540000	Chip resistor 750KΩ J 1/16W (RoHS)	1	R547	T4J
494	3101051520000	Chip capacitor 1500PF K 50V X7R (RoHS)	1	C569	T3I
495	3603018000000	IF processor 10~150MHZ 1.8~5.5V (RoHS)	1	U611	T2J
496	3604007000000	PLL IC 1.2GHZ BCC-16 (RoHS)	1	U102	T4H
497	3605002057090	Operational amplifier 6~12V 200mW 100dB(RoHS)	1	U613	T3I
498	3605010000020	Operational amplifier TI(RoHS)	1	U610	T4J
499	3406001000090	NPN transistor 9V 100mA 120 (RoHS)	1	Q407	T4F
500	3001059130000	Chip resistor 91KΩ F 1/16W (RoHS)	1	R647	B1H
501	3101063690000	Chip capacitor 3.6PF B 50V COG (RoHS)	1	C130	T4G
502	3101063690000	Chip capacitor 3.6PF B 50V COG (RoHS)	1	C148	T4G
503	3101063690000	Chip capacitor 3.6PF B 50V COG (RoHS)	1	C428	T4B
504	3101060200010	Chip capacitor 2PF B 50V COG (RoHS)	1	C110	T4G
505	3101060500010	Chip capacitor 5PF B 50V COG (RoHS)	1	C421	T5C
506	3101060500010	Chip capacitor 5PF B 50V COG (RoHS)	1	C448	T5C
507	3001051240010	Chip resistor 120KΩ F 1/16W (RoHS)	1	R632	B5H
508	3001052710010	Chip resistor 270Ω J 1/16W (RoHS)	1	R505	T2G
509	3001052710010	Chip resistor 270Ω J 1/16W (RoHS)	1	R506	T1H
510	3001053940000	Chip resistor 390KΩ J 1/16W (RoHS)	1	R325	B1F
511	3001055110000	Chip resistor 510Ω J 1/16W (RoHS)	1	R648	B1H
512	3001055110000	Chip resistor 510Ω J 1/16W (RoHS)	1	R652	B2H
513	3101051200020	Chip capacitor 12PF J 50V COG (RoHS)	1	C545	T2F
514	3101051200020	Chip capacitor 12PF J 50V COG (RoHS)	1	C575	T2G

No.	Part No.	Description	Qty	Ref No.	Print No.
515	3104071060080	Tantalum capacitor 10UF M 6.3V (RoHS)	1	C132	B5I
516	3104072250060	Tantalum capacitor 2.2UF M 10V (RoHS)	1	C518	T2J
517	3210305150010	Multi-layer chip inductor 15nH J 300mA 0.32ohm 402(RoHS)	1	R441	T5E
518	3001061050010	Chip resistor 1MΩ J 1/10W (RoHS)	1	R438	B4E
519	3001058210000	Chip resistor 820Ω J 1/16W (RoHS)	1	r406	T4F
520	3101050300000	Chip capacitor 3PF B 50V COG (RoHS)	1	C515	T2E
521	3101052210010	Chip capacitor 220PF K 50V X7R (RoHS)	1	C522	T3H
522	3101055610000	Chip capacitor 560PF K 50V X7R (RoHS)	1	C571	T3I
523	3101055620010	Chip capacitor 5600PF K 25V X7R (RoHS)	1	C554	T3I
524	3101055620010	Chip capacitor 5600PF K 25V X7R (RoHS)	1	C567	T4I
525	3101060300010	Chip capacitor 3PF B 50V C0G (RoHS)	1	C432	T3B
526	3101060300010	Chip capacitor 3PF B 50V C0G (RoHS)	1	C434	T4B
527	3101060300010	Chip capacitor 3PF B 50V C0G (RoHS)	1	C449	T4C
528	3101061200000	Chip capacitor 12PF J 50V C0G (RoHS)	1	C451	T4C
529	3101061800000	Chip capacitor 18PF J 50V COG (RoHS)	1	C438	T4C
530	3104084750040	Tantalum capacitor 1206 K 16V (RoHS)	1	C442	B5F
531	3104084750040	Tantalum capacitor 1206 K 16V (RoHS)	1	C651	T2A
532	3104242250000	Tantalum capacitor 2.2UF K 16V (RoHS)	1	C115	T5H
533	3104242250000	Tantalum capacitor 2.2UF K 16V (RoHS)	1	C420	T5E
534	3210306820000	Multi-layer chip inductor 82nH J 300mA 0.85ohm 603(RoHS)	1	L506	T3E
535	3399990000080	Zener diode 6.8V SOD-523 Rohm (RoHS)	1	D303	B1A
536	3399990000080	Zener diode 6.8V SOD-523 Rohm(RoHS)	1	D609	B2I
537	3801045030240	Ceramic filter 450KHz ±6KHz 6.0dB (RoHS)	1	CF501	T1I
538	3001054320000	Chip resistor 4.3KΩ J 1/16W (RoHS)	1	R643	B1H
539	3499000000150	Composite transistor -50V/50V -100mA/100mA HFE:68/68(RoHS)	1	Q555	T3I
540	41005001020D0	Main PCB board (RoHS)	1		
541	3307110100130	LED green 40mcd 30mA 2.1V (RoHS)	1	D601	B4A
542	3101062240000	Chip capacitor 0.22UF K 10V X7R (RoHS)	1	C114	T4H
543	3101062240000	Chip capacitor 0.22UF K 10V X7R (RoHS)	1	C116	T4H
544	5205000001530	Battery connector black (RoHS)	1	G1	T3C
545	3001052720010	Chip resistor 2.7KΩ F 1/16W (RoHS)	1	R502	T3I
546	3001052720010	Chip resistor 2.7KΩ F 1/16W (RoHS)	1	R504	T3I
547	3101061040010	Chip capacitor 0.1UF K 16V X7R (RoHS)	1	C549	T3I
548	3101050800000	Chip capacitor 8PF B 50V COG (RoHS)	1	C535	T1H
549	3001051540000	Chip resistor 150KΩ F 1/16W (RoHS)	1	R558	T3I
550	3210106150000	Wire-wound inductor 15nH G 600mA 0.13ohm (RoHS)	1	L408	T4E
551	3001052240010	Chip resistor 220KΩ F 1/16W (RoHS)	1	R439	B4E
552	3504990000040	Power amplifier MOSFET 10uA 25V 10uA 7.2V (RoHS)	1	Q403	T5D
553	3001051830010	Chip resistor 18KΩ F 1/16W (RoHS)	1	R314	T1I
554	3101062200010	Chip capacitor 22PF J 50V COG (RoHS)	1	C418	T5D
555	3101061210000	Chip capacitor 120PF J 50V C0G (RoHS)	1	C425	T4C
556	3304010100180	Varactor 10V 10-45PF 4.3 (RoHS)	1	D101	T4G
557	3304010100180	Varactor 10V 10-45PF 4.3 (RoHS)	1	D102	T5H

No.	Part No.	Description	Qty	Ref No.	Print No.
558	3210108230010	Wire-wound inductor 23nH J 590mA 0.046ohm (RoHS)	1	L104	T2G
559	3101053330000	Chip capacitor 0.033UF K 16V X7R (RoHS)	1	C207	B2H
560	3101054090010	Chip capacitor 4PF B 50V COG (RoHS)	1	C507	T3D
561	3101050900000	Chip capacitor 9PF B 50V COG (RoHS)	1	C557	T3E
562	3101050900000	Chip capacitor 9PF B 50V COG (RoHS)	1	C560	T4D
563	3101050900000	Chip capacitor 9PF B 50V COG (RoHS)	1	C561	T2E
564	3101051590050	Chip capacitor 1.5PF C 50V COG (RoHS)	1	C551	T2F
565	3102992000040	Adjustable capacitor 10pF ±2.5pF 55V (RoHS)	1	TC101	T4H
566	3101060400010	Chip capacitor 4PF B 50V COG (RoHS)	1	C430	T4B
567	3920450300000	Frequency discriminator 100mv±40mv 450KHz ±4kHz (RoHS)	1	CD501	T2I
568	3702388540000	Crystal filter 38.85MHz ±6KHZ 20dBm (RoHS)	1	XF501	T1H
569	3702388540000	Crystal filter 38.85MHz ±6KHZ 20dBm (RoHS)	1	XF502	T1G
570	4304030000010	Gray code rotary switch (RoHS)	1	SW606	T3A
571	4302020000140	Volume switch 15F DC 10V 0.05W (RoHS)	1	S201	T1A
572	5205005000040	Earpiece jack 5pin 30VDC 0.5A (RoHS)	1	J3	T1C
573	5205004000030	Earpiece jack 4pin 30VDC 0.5A (RoHS)	1		T1C
574	5002220000070	Microphone 1~10V O P -40dB (RoHS)	1	B201	B1E
575	4400100008000	SMA RF connector 50Ω female (RoHS)	1	W401	T5A

**VHF: 146-174MHz**

No.	Part No.	Description	Qty	Ref No.	Print No.
1	3001050000000	Chip resistor 0Ω J 1/16W(RoHS)	1	C129	T3G
2	3001050000000	Chip resistor 0Ω J 1/16W(RoHS)	1	C410	T3F
3	3001050000000	Chip resistor 0Ω J 1/16W(RoHS)	1	C536	T2F
4	3001050000000	Chip resistor 0Ω J 1/16W(RoHS)	1	C603	T3E
5	3001050000000	Chip resistor 0Ω J 1/16W(RoHS)	1	R103	T5I
6	3001050000000	Chip resistor 0Ω J 1/16W(RoHS)	1	R128	T5H
7	3001050000000	Chip resistor 0Ω J 1/16W(RoHS)	1	R207	B2H
8	3001050000000	Chip resistor 0Ω J 1/16W(RoHS)	1	R222	B5I
9	3001050000000	Chip resistor 0Ω J 1/16W(RoHS)	1	R441	T4F
10	3001050000000	Chip resistor 0Ω J 1/16W(RoHS)	1	R442	B3E
11	3001050000000	Chip resistor 0Ω J 1/16W(RoHS)	1	R533	T2G
12	3001050000000	Chip resistor 0Ω J 1/16W(RoHS)	1	R606	B5I
13	3001051000020	Chip resistor 10Ω F 1/16W (RoHS)	1	R105	T4G
14	3001051000020	Chip resistor 10Ω F 1/16W (RoHS)	1	R108	T4I
15	3001051000020	Chip resistor 10Ω F 1/16W (RoHS)	1	R111	T5I
16	3001051000020	Chip resistor 10Ω F 1/16W (RoHS)	1	R315	B1A
17	3001051000020	Chip resistor 10Ω F 1/16W (RoHS)	1	R408	T5F
18	3001051000020	Chip resistor 10Ω F 1/16W (RoHS)	1	R511	T3E
19	3001051000020	Chip resistor 10Ω F 1/16W (RoHS)	1	R530	T2J
20	3001051000020	Chip resistor 10Ω F 1/16W (RoHS)	1	R531	T3I
21	3001051000020	Chip resistor 10Ω F 1/16W (RoHS)	1	R534	T3J
22	3001051010040	Chip resistor 100Ω F 1/16W(RoHS)	1	R101	T4I

No.	Part No.	Description	Qty	Ref No.	Print No.
23	3001051010040	Chip resistor 100Ω F 1/16W(RoHS)	1	R131	T4G
24	3001051010040	Chip resistor 100Ω F 1/16W(RoHS)	1	R429	T3F
25	3001051010040	Chip resistor 100Ω F 1/16W(RoHS)	1	R604	B4I
26	3001051010040	Chip resistor 100Ω F 1/16W(RoHS)	1	R605	B4A
27	3001051010040	Chip resistor 100Ω F 1/16W(RoHS)	1	R614	B1C
28	3001051010040	Chip resistor 100Ω F 1/16W(RoHS)	1	R623	B2I
29	3001051020000	Chip resistor 1KΩ F 1/16W(RoHS)	1	R109	T5H
30	3001051020000	Chip resistor 1KΩ F 1/16W(RoHS)	1	R121	T4I
31	3001051020000	Chip resistor 1KΩ F 1/16W(RoHS)	1	R124	T4F
32	3001051020000	Chip resistor 1KΩ F 1/16W(RoHS)	1	R211	T1D
33	3001051020000	Chip resistor 1KΩ F 1/16W(RoHS)	1	R214	B1H
34	3001051020000	Chip resistor 1KΩ F 1/16W(RoHS)	1	R313	B3D
35	3001051020000	Chip resistor 1KΩ F 1/16W(RoHS)	1	R319	B1I
36	3001051020000	Chip resistor 1KΩ F 1/16W(RoHS)	1	R322	B2E
37	3001051020000	Chip resistor 1KΩ F 1/16W(RoHS)	1	R327	B1I
38	3001051020000	Chip resistor 1KΩ F 1/16W(RoHS)	1	R609	T2D
39	3001051020000	Chip resistor 1KΩ F 1/16W(RoHS)	1	R621	B2B
40	3001051020000	Chip resistor 1KΩ F 1/16W(RoHS)	1	R626	T2E
41	3001051020000	Chip resistor 1KΩ F 1/16W(RoHS)	1	R644	T2I
42	3001051020000	Chip resistor 1KΩ F 1/16W(RoHS)	1	R683	T1D
43	3001051020000	Chip resistor 1KΩ F 1/16W(RoHS)	1	R684	T5F
44	3001051020000	Chip resistor 1KΩ F 1/16W(RoHS)	1	R690	B4J
45	3001051020000	Chip resistor 1KΩ F 1/16W(RoHS)	1	R691	B4J
46	3001051020000	Chip resistor 1KΩ F 1/16W(RoHS)	1	R692	B3J
47	3001051020000	Chip resistor 1KΩ F 1/16W(RoHS)	1	R693	B3J
48	3001051030010	Chip resistor 10KΩ F 1/16W(RoHS)	1	R107	T4H
49	3001051030010	Chip resistor 10KΩ F 1/16W(RoHS)	1	R219	B2F
50	3001051030010	Chip resistor 10KΩ F 1/16W(RoHS)	1	R314	B1I
51	3001051030010	Chip resistor 10KΩ F 1/16W(RoHS)	1	R413	T3F
52	3001051030010	Chip resistor 10KΩ F 1/16W(RoHS)	1	R428	B4E
53	3001051030010	Chip resistor 10KΩ F 1/16W(RoHS)	1	R430	T3G
54	3001051030010	Chip resistor 10KΩ F 1/16W(RoHS)	1	R433	T3F
55	3001051030010	Chip resistor 10KΩ F 1/16W(RoHS)	1	R554	T3I
56	3001051030010	Chip resistor 10KΩ F 1/16W(RoHS)	1	R616	B2I
57	3001051030010	Chip resistor 10KΩ F 1/16W(RoHS)	1	R617	B2I
58	3001051030010	Chip resistor 10KΩ F 1/16W(RoHS)	1	R627	B1G
59	3001051030010	Chip resistor 10KΩ F 1/16W(RoHS)	1	R634	B1G
60	3001051030010	Chip resistor 10KΩ F 1/16W(RoHS)	1	R650	B2H
61	3001051030010	Chip resistor 10KΩ F 1/16W(RoHS)	1	R654	B1G
62	3001051040000	Chip resistor 100KΩ F 1/16W(RoHS)	1	R106	T4G
63	3001051040000	Chip resistor 100KΩ F 1/16W(RoHS)	1	R113	T5G
64	3001051040000	Chip resistor 100KΩ F 1/16W(RoHS)	1	R120	T4I

No.	Part No.	Description	Qty	Ref No.	Print No.
65	3001051040000	Chip resistor 100KΩ F 1/16W(RoHS)	1	R205	B2H
66	3001051040000	Chip resistor 100KΩ F 1/16W(RoHS)	1	R513	T3E
67	3001051040000	Chip resistor 100KΩ F 1/16W(RoHS)	1	R517	T2F
68	3001051040000	Chip resistor 100KΩ F 1/16W(RoHS)	1	R518	T2F
69	3001051040000	Chip resistor 100KΩ F 1/16W(RoHS)	1	R521	T2E
70	3001051040000	Chip resistor 100KΩ F 1/16W(RoHS)	1	R522	T3E
71	3001051040000	Chip resistor 100KΩ F 1/16W(RoHS)	1	R526	T2F
72	3001051040000	Chip resistor 100KΩ F 1/16W(RoHS)	1	R603	B5I
73	3001051050000	Chip resistor 1MΩ F 1/16W(RoHS)	1	R218	B2F
74	3001051050000	Chip resistor 1MΩ F 1/16W(RoHS)	1	R405	B4E
75	3001051050000	Chip resistor 1MΩ F 1/16W(RoHS)	1	R435	B3E
76	3001051050000	Chip resistor 1MΩ F 1/16W(RoHS)	1	R501	T2H
77	3001051050000	Chip resistor 1MΩ F 1/16W(RoHS)	1	R648	B1G
78	3001051230010	Chip resistor 12KΩ F 1/16W(RoHS)	1	R544	T3J
79	3001051240010	Chip resistor 120KΩ F 1/16W(RoHS)	1	R632	B5H
80	3001051520000	Chip resistor 1.5KΩ J 1/16W(RoHS)	1	R440	T4F
81	3001051530010	Chip resistor 15KΩ F 1/16W(RoHS)	1	R543	T4J
82	3001051540000	Chip resistor 150KΩ F 1/16W(RoHS)	1	R125	T5J
83	3001051540000	Chip resistor 150KΩ F 1/16W(RoHS)	1	R129	T3G
84	3001051540000	Chip resistor 150KΩ F 1/16W(RoHS)	1	R523	T1F
85	3001051540000	Chip resistor 150KΩ F 1/16W(RoHS)	1	R528	T2G
86	3001051540000	Chip resistor 150KΩ F 1/16W(RoHS)	1	R545	T3J
87	3001051540000	Chip resistor 150KΩ F 1/16W(RoHS)	1	R558	T3I
88	3001051540000	Chip resistor 150KΩ F 1/16W(RoHS)	1	R651	B1F
89	3001052210010	Chip resistor 220Ω F 1/16W(RoHS)	1	R201	B1F
90	3001052210010	Chip resistor 220Ω F 1/16W(RoHS)	1	R516	T1F
91	3001052220010	Chip resistor 2.2KΩ F 1/16W(RoHS)	1	R202	B1F
92	3001052220010	Chip resistor 2.2KΩ F 1/16W(RoHS)	1	R216	B1G
93	3001052220010	Chip resistor 2.2KΩ F 1/16W(RoHS)	1	R414	T4E
94	3001052220010	Chip resistor 2.2KΩ F 1/16W(RoHS)	1	R507	T2H
95	3001052220010	Chip resistor 2.2KΩ F 1/16W(RoHS)	1	R510	T3J
96	3001052230010	Chip resistor 22KΩ J 1/16W(RoHS)	1	R215	B1G
97	3001052240010	Chip resistor 220KΩ F 1/16W(RoHS)	1	R562	T2I
98	3001052240010	Chip resistor 220KΩ F 1/16W(RoHS)	1	R602	B5I
99	3001052240010	Chip resistor 220KΩ F 1/16W(RoHS)	1	R649	B1H
100	3001052710000	Chip resistor 270Ω F 1/16W(RoHS)	1	R445	T3G
101	3001052720010	Chip resistor 2.7KΩ F 1/16W(RoHS)	1	R206	B4I
102	3001052720010	Chip resistor 2.7KΩ F 1/16W(RoHS)	1	R310	B2D
103	3001052720010	Chip resistor 2.7KΩ F 1/16W(RoHS)	1	R502	T3I
104	3001052720010	Chip resistor 2.7KΩ F 1/16W(RoHS)	1	R504	T3I
105	3001052730000	Chip resistor 27KΩ J 1/16W(RoHS)	1	R539	T4I
106	3001053310000	Chip resistor 330Ω F 1/16(RoHS)	1	R409	T4F

No.	Part No.	Description	Qty	Ref No.	Print No.
107	3001053320000	Chip resistor 3.3KΩ J 1/16W(RoHS)	1	R130	T4G
108	3001053320000	Chip resistor 3.3KΩ J 1/16W(RoHS)	1	R203	B2H
109	3001053320000	Chip resistor 3.3KΩ J 1/16W(RoHS)	1	R204	B2H
110	3001053320000	Chip resistor 3.3KΩ J 1/16W(RoHS)	1	R431	T3G
111	3001053320000	Chip resistor 3.3KΩ J 1/16W(RoHS)	1	R432	T3F
112	3001053320000	Chip resistor 3.3KΩ J 1/16W(RoHS)	1	R515	T3E
113	3001053320000	Chip resistor 3.3KΩ J 1/16W(RoHS)	1	R536	T3I
114	3001053320000	Chip resistor 3.3KΩ J 1/16W(RoHS)	1	R538	T3I
115	3001053320000	Chip resistor 3.3KΩ J 1/16W(RoHS)	1	R561	T3I
116	3001053330010	Chip resistor 33KΩ J 1/16W(RoHS)	1	R542	T4J
117	3001053330010	Chip resistor 33KΩ J 1/16W(RoHS)	1	R563	T3J
118	3001053340010	Chip resistor 330KΩ F 1/16W(RoHS)	1	R102	T5J
119	3001053920000	Chip resistor 3.9KΩ F 1/16W(RoHS)	1	R546	T3J
120	3001054700010	Chip resistor 47Ω F 1/16W(RoHS)	1	R410	T5E
121	3001054700010	Chip resistor 47Ω F 1/16W(RoHS)	1	R415	T5E
122	3001054700010	Chip resistor 47Ω F 1/16W(RoHS)	1	R618	B2I
123	3001054700010	Chip resistor 47Ω F 1/16W(RoHS)	1	R619	B2I
124	3001054710010	Chip resistor 470Ω F 1/16W(RoHS)	1	C408	T4F
125	3001054710010	Chip resistor 470Ω F 1/16W(RoHS)	1	R625	B4A
126	3001054720000	Chip resistor 4.7KΩ J 1/16W(RoHS)	1	R112	T3F
127	3001054720000	Chip resistor 4.7KΩ J 1/16W(RoHS)	1	R311	B2D
128	3001054720000	Chip resistor 4.7KΩ J 1/16W(RoHS)	1	R434	T3F
129	3001054720000	Chip resistor 4.7KΩ J 1/16W(RoHS)	1	R436	B3E
130	3001054720000	Chip resistor 4.7KΩ J 1/16W(RoHS)	1	R437	B3F
131	3001054720000	Chip resistor 4.7KΩ J 1/16W(RoHS)	1	R608	B2J
132	3001054720000	Chip resistor 4.7KΩ J 1/16W(RoHS)	1	R633	B5I
133	3001054730000	Chip resistor 47KΩ J 1/16W(RoHS)	1	R119	T5G
134	3001054730000	Chip resistor 47KΩ J 1/16W(RoHS)	1	R213	B1H
135	3001054730000	Chip resistor 47KΩ J 1/16W(RoHS)	1	R217	B1F
136	3001054730000	Chip resistor 47KΩ J 1/16W(RoHS)	1	R312	B3D
137	3001054730000	Chip resistor 47KΩ J 1/16W(RoHS)	1	R417	T5E
138	3001054730000	Chip resistor 47KΩ J 1/16W(RoHS)	1	R553	T3J
139	3001054730000	Chip resistor 47KΩ J 1/16W(RoHS)	1	R610	B3J
140	3001054730000	Chip resistor 47KΩ J 1/16W(RoHS)	1	R611	B3J
141	3001054730000	Chip resistor 47KΩ J 1/16W(RoHS)	1	R612	B3J
142	3001054730000	Chip resistor 47KΩ J 1/16W(RoHS)	1	R613	T2D
143	3001054730000	Chip resistor 47KΩ J 1/16W(RoHS)	1	R620	B3J
144	3001054730000	Chip resistor 47KΩ J 1/16W(RoHS)	1	R624	B2I
145	3001054730000	Chip resistor 47KΩ J 1/16W(RoHS)	1	R628	B1H
146	3001054730000	Chip resistor 47KΩ J 1/16W(RoHS)	1	R631	B1F
147	3001054730000	Chip resistor 47KΩ J 1/16W(RoHS)	1	R647	B2G
148	3001054730000	Chip resistor 47KΩ J 1/16W(RoHS)	1	R653	B2G

No.	Part No.	Description	Qty	Ref No.	Print No.
149	3001054740000	Chip resistor 470KΩ J 1/16W(RoHS)	1	R548	T4J
150	3001054740000	Chip resistor 470KΩ J 1/16W(RoHS)	1	R549	T4J
151	3001054790000	Chip resistor 4.7Ω J 1/16W(RoHS)	1	R318	B2D
152	3001055610000	Chip resistor 560Ω J 1/16W(RoHS)	1	R118	T4H
153	3001055620000	Chip resistor 5.6KΩ J 1/16W(RoHS)	1	R540	T4I
154	3001055630000	Chip resistor 56KΩ J 1/16W(RoHS)	1	R615	T1D
155	3001056830000	Chip resistor 68KΩ J 1/16W(RoHS)	1	R123	T4H
156	3001056830000	Chip resistor 68KΩ J 1/16W(RoHS)	1	R411	T5E
157	3001056840000	Chip resistor 680KΩ J 1/16W(RoHS)	1	R541	T4J
158	3001057540000	Chip resistor 750KΩ J 1/16W(RoHS)	1	R547	T4J
159	3001058210000	Chip resistor 820Ω J 1/16W(RoHS)	1	R406	T4F
160	3001058210000	Chip resistor 820Ω J 1/16W(RoHS)	1	R529	T1F
161	3001058220000	Chip resistor 8.2KΩ J 1/16W(RoHS)	1	R607	B5I
162	3001058230000	Chip resistor 82KΩ J 1/16W(RoHS)	1	R524	T3J
163	3001060000000	Chip resistor 0Ω J 1/10W(RoHS)	1	L403	T5E
164	3001060000000	Chip resistor 0Ω J 1/10W(RoHS)	1	R555	T3I
165	3001061050010	Chip resistor 1MΩ J 1/10W(RoHS)	1	R438	B4E
166	3001061540010	Chip resistor 150KΩ D 1/10W(RoHS)	1	R422	B4F
167	3001061540010	Chip resistor 150KΩ D 1/10W(RoHS)	1	R423	B4F
168	3001061540010	Chip resistor 150KΩ D 1/10W(RoHS)	1	R424	B4F
169	3001061540010	Chip resistor 150KΩ D 1/10W(RoHS)	1	R425	B4F
170	3001061540010	Chip resistor 150KΩ D 1/10W(RoHS)	1	R426	B4F
171	3001061540010	Chip resistor 150KΩ D 1/10W(RoHS)	1	R427	B4F
172	3001062710000	Chip resistor 270Ω J 1/10W(RoHS)	1	R418	B3B
173	3001062710000	Chip resistor 270Ω J 1/10W(RoHS)	1	R444	B3B
174	3001070000000	Chip resistor 0Ω J 1/8W(RoHS)	1	R326	B1C
175	3002991030160	Adjustable resistor 10K ±25% 0.15W(RoHS)	1	VR101	T4J
176	3005051020010	Integrated resistor 1K J 1/16W(RoHS)	1	RN101	T4H
177	3099080398000	Chip resistor 0.39Ω J 1/4W(RoHS)	1	R419	B4B
178	3099080398000	Chip resistor 0.39Ω J 1/4W(RoHS)	1	R420	B4B
179	3099080398000	Chip resistor 0.39Ω J 1/4W(RoHS)	1	R421	B4B
180	3101050200010	Chip capacitor 2PF B 50V(RoHS)	1	C502	T4C
181	3101050300000	Chip capacitor 3PF B 50V(RoHS)	1	C501	T4C
182	3101050500010	Chip capacitor 5PF B 50V(RoHS)	1	C118	T3H
183	3101050500010	Chip capacitor 5PF B 50V(RoHS)	1	C133	T3G
184	3101050500010	Chip capacitor 5PF B 50V(RoHS)	1	C513	T3E
185	3101050590020	Chip capacitor 0.5PF B 50V(RoHS)	1	C111	T3G
186	3101050590020	Chip capacitor 0.5PF B 50V(RoHS)	1	C156	T4G
187	3101050600010	Chip capacitor 6PF B 50V(RoHS)	1	C453	T3F
188	3101050700010	Chip capacitor 7PF B 50V(RoHS)	1	C452	T3G
189	3101051000020	Chip capacitor 10PF J 50V(RoHS)	1	C103	T4I
190	3101051000020	Chip capacitor 10PF J 50V(RoHS)	1	C104	T4I

No.	Part No.	Description	Qty	Ref No.	Print No.
191	3101051000020	Chip capacitor 10PF J 50V(RoHS)	1	C117	T4I
192	3101051000020	Chip capacitor 10PF J 50V(RoHS)	1	C136	T3G
193	3101051000020	Chip capacitor 10PF J 50V(RoHS)	1	C137	T3G
194	3101051000020	Chip capacitor 10PF J 50V(RoHS)	1	C507	T3E
195	3101051000020	Chip capacitor 10PF J 50V(RoHS)	1	C511	T3E
196	3101051000020	Chip capacitor 10PF J 50V(RoHS)	1	C545	T1F
197	3101051000020	Chip capacitor 10PF J 50V(RoHS)	1	C558	T2F
198	3101051000020	Chip capacitor 10PF J 50V(RoHS)	1	C568	T2F
199	3101051000020	Chip capacitor 10PF J 50V(RoHS)	1	C573	T2F
200	3101051010030	Chip capacitor 100PF J 50V(RoHS)	1	C121	T4H
201	3101051010030	Chip capacitor 100PF J 50V(RoHS)	1	C122	T4H
202	3101051010030	Chip capacitor 100PF J 50V(RoHS)	1	C124	T4H
203	3101051010030	Chip capacitor 100PF J 50V(RoHS)	1	C125	T4H
204	3101051010030	Chip capacitor 100PF J 50V(RoHS)	1	C127	T4H
205	3101051010030	Chip capacitor 100PF J 50V(RoHS)	1	C202	B1F
206	3101051010030	Chip capacitor 100PF J 50V(RoHS)	1	C203	B2D
207	3101051010030	Chip capacitor 100PF J 50V(RoHS)	1	C314	B1C
208	3101051010030	Chip capacitor 100PF J 50V(RoHS)	1	C416	T4E
209	3101051010030	Chip capacitor 100PF J 50V(RoHS)	1	C525	T3F
210	3101051010030	Chip capacitor 100PF J 50V(RoHS)	1	C563	T2E
211	3101051010030	Chip capacitor 100PF J 50V(RoHS)	1	C571	T3I
212	3101051010030	Chip capacitor 100PF J 50V(RoHS)	1	C574	T3F
213	3101051010030	Chip capacitor 100PF J 50V(RoHS)	1	C629	B2H
214	3101051020010	Chip capacitor 1000PF K 50V(RoHS)	1	C102	T4I
215	3101051020010	Chip capacitor 1000PF K 50V(RoHS)	1	C113	T4H
216	3101051020010	Chip capacitor 1000PF K 50V(RoHS)	1	C120	T4I
217	3101051020010	Chip capacitor 1000PF K 50V(RoHS)	1	C126	T5J
218	3101051020010	Chip capacitor 1000PF K 50V(RoHS)	1	C135	T4H
219	3101051020010	Chip capacitor 1000PF K 50V(RoHS)	1	C139	T3F
220	3101051020010	Chip capacitor 1000PF K 50V(RoHS)	1	C141	T4F
221	3101051020010	Chip capacitor 1000PF K 50V(RoHS)	1	C144	T4H
222	3101051020010	Chip capacitor 1000PF K 50V(RoHS)	1	C145	T5G
223	3101051020010	Chip capacitor 1000PF K 50V(RoHS)	1	C154	T4I
224	3101051020010	Chip capacitor 1000PF K 50V(RoHS)	1	C204	B2H
225	3101051020010	Chip capacitor 1000PF K 50V(RoHS)	1	C205	B2H
226	3101051020010	Chip capacitor 1000PF K 50V(RoHS)	1	C216	B1H
227	3101051020010	Chip capacitor 1000PF K 50V(RoHS)	1	C219	B1F
228	3101051020010	Chip capacitor 1000PF K 50V(RoHS)	1	C328	B3D
229	3101051020010	Chip capacitor 1000PF K 50V(RoHS)	1	C331	B1I
230	3101051020010	Chip capacitor 1000PF K 50V(RoHS)	1	C404	T4F
231	3101051020010	Chip capacitor 1000PF K 50V(RoHS)	1	C409	T4E
232	3101051020010	Chip capacitor 1000PF K 50V(RoHS)	1	C412	T5E



No.	Part No.	Description	Qty	Ref No.	Print No.
233	3101051020010	Chip capacitor 1000PF K 50V(RoHS)	1	C413	T4E
234	3101051020010	Chip capacitor 1000PF K 50V(RoHS)	1	C417	T5E
235	3101051020010	Chip capacitor 1000PF K 50V(RoHS)	1	C462	B3E
236	3101051020010	Chip capacitor 1000PF K 50V(RoHS)	1	C503	T4D
237	3101051020010	Chip capacitor 1000PF K 50V(RoHS)	1	C505	T3D
238	3101051020010	Chip capacitor 1000PF K 50V(RoHS)	1	C543	T3I
239	3101051020010	Chip capacitor 1000PF K 50V(RoHS)	1	C553	T3J
240	3101051020010	Chip capacitor 1000PF K 50V(RoHS)	1	C564	T2E
241	3101051020010	Chip capacitor 1000PF K 50V(RoHS)	1	C598	T3I
242	3101051020010	Chip capacitor 1000PF K 50V(RoHS)	1	C600	T2F
243	3101051020010	Chip capacitor 1000PF K 50V(RoHS)	1	C605	B5I
244	3101051020010	Chip capacitor 1000PF K 50V(RoHS)	1	C613	B2J
245	3101051020010	Chip capacitor 1000PF K 50V(RoHS)	1	C616	B3J
246	3101051020010	Chip capacitor 1000PF K 50V(RoHS)	1	C640	T3A
247	3101051020010	Chip capacitor 1000PF K 50V(RoHS)	1	C676	B1G
248	3101051020010	Chip capacitor 1000PF K 50V(RoHS)	1	C681	B1F
249	3101051030020	Chip capacitor 0.01UF K 25V(RoHS)	1	C123	T4I
250	3101051030020	Chip capacitor 0.01UF K 25V(RoHS)	1	C130	T5G
251	3101051030020	Chip capacitor 0.01UF K 25V(RoHS)	1	C138	T3F
252	3101051030020	Chip capacitor 0.01UF K 25V(RoHS)	1	C150	T4F
253	3101051030020	Chip capacitor 0.01UF K 25V(RoHS)	1	C160	T3G
254	3101051030020	Chip capacitor 0.01UF K 25V(RoHS)	1	C217	B1F
255	3101051030020	Chip capacitor 0.01UF K 25V(RoHS)	1	C220	B1H
256	3101051030020	Chip capacitor 0.01UF K 25V(RoHS)	1	C322	B2D
257	3101051030020	Chip capacitor 0.01UF K 25V(RoHS)	1	C326	B2D
258	3101051030020	Chip capacitor 0.01UF K 25V(RoHS)	1	C327	B3D
259	3101051030020	Chip capacitor 0.01UF K 25V(RoHS)	1	C334	B1A
260	3101051030020	Chip capacitor 0.01UF K 25V(RoHS)	1	C422	B4E
261	3101051030020	Chip capacitor 0.01UF K 25V(RoHS)	1	C436	T4C
262	3101051030020	Chip capacitor 0.01UF K 25V(RoHS)	1	C437	B4C
263	3101051030020	Chip capacitor 0.01UF K 25V(RoHS)	1	C441	B4F
264	3101051030020	Chip capacitor 0.01UF K 25V(RoHS)	1	C463	B3E
265	3101051030020	Chip capacitor 0.01UF K 25V(RoHS)	1	C464	B3F
266	3101051030020	Chip capacitor 0.01UF K 25V(RoHS)	1	C514	T3E
267	3101051030020	Chip capacitor 0.01UF K 25V(RoHS)	1	C519	T1F
268	3101051030020	Chip capacitor 0.01UF K 25V(RoHS)	1	C520	T2H
269	3101051030020	Chip capacitor 0.01UF K 25V(RoHS)	1	C521	T3F
270	3101051030020	Chip capacitor 0.01UF K 25V(RoHS)	1	C534	T1F
271	3101051030020	Chip capacitor 0.01UF K 25V(RoHS)	1	C540	T1F
272	3101051030020	Chip capacitor 0.01UF K 25V(RoHS)	1	C541	T2G
273	3101051030020	Chip capacitor 0.01UF K 25V(RoHS)	1	C548	T2J
274	3101051030020	Chip capacitor 0.01UF K 25V(RoHS)	1	C552	T1E

No.	Part No.	Description	Qty	Ref No.	Print No.
275	3101051030020	Chip capacitor 0.01UF K 25V(RoHS)	1	C559	T4I
276	3101051030020	Chip capacitor 0.01UF K 25V(RoHS)	1	C562	T2H
277	3101051030020	Chip capacitor 0.01UF K 25V(RoHS)	1	C565	T4I
278	3101051030020	Chip capacitor 0.01UF K 25V(RoHS)	1	C576	T2J
279	3101051030020	Chip capacitor 0.01UF K 25V(RoHS)	1	C577	T2I
280	3101051030020	Chip capacitor 0.01UF K 25V(RoHS)	1	C579	T1F
281	3101051030020	Chip capacitor 0.01UF K 25V(RoHS)	1	C581	T4J
282	3101051030020	Chip capacitor 0.01UF K 25V(RoHS)	1	C583	T4J
283	3101051030020	Chip capacitor 0.01UF K 25V(RoHS)	1	C584	T4J
284	3101051030020	Chip capacitor 0.01UF K 25V(RoHS)	1	C585	T3J
285	3101051030020	Chip capacitor 0.01UF K 25V(RoHS)	1	C586	T3J
286	3101051030020	Chip capacitor 0.01UF K 25V(RoHS)	1	C587	T3J
287	3101051030020	Chip capacitor 0.01UF K 25V(RoHS)	1	C589	T4J
288	3101051030020	Chip capacitor 0.01UF K 25V(RoHS)	1	C591	T3J
289	3101051030020	Chip capacitor 0.01UF K 25V(RoHS)	1	C592	T3I
290	3101051030020	Chip capacitor 0.01UF K 25V(RoHS)	1	C595	T2I
291	3101051030020	Chip capacitor 0.01UF K 25V(RoHS)	1	C606	T2B
292	3101051030020	Chip capacitor 0.01UF K 25V(RoHS)	1	C612	B2J
293	3101051030020	Chip capacitor 0.01UF K 25V(RoHS)	1	C617	B3J
294	3101051030020	Chip capacitor 0.01UF K 25V(RoHS)	1	C635	B4H
295	3101051030020	Chip capacitor 0.01UF K 25V(RoHS)	1	C637	B4I
296	3101051030020	Chip capacitor 0.01UF K 25V(RoHS)	1	C643	T2A
297	3101051030020	Chip capacitor 0.01UF K 25V(RoHS)	1	C648	T1D
298	3101051030020	Chip capacitor 0.01UF K 25V(RoHS)	1	C649	B3J
299	3101051030020	Chip capacitor 0.01UF K 25V(RoHS)	1	C663	T2E
300	3101051030020	Chip capacitor 0.01UF K 25V(RoHS)	1	C670	B2G
301	3101051030020	Chip capacitor 0.01UF K 25V(RoHS)	1	C675	B1G
302	3101051050000	Chip capacitor 1UF K 6.3V(RoHS)	1	C207	B2H
303	3101051050000	Chip capacitor 1UF K 6.3V(RoHS)	1	C218	B2F
304	3101051050000	Chip capacitor 1UF K 6.3V(RoHS)	1	C321	B2D
305	3101051050000	Chip capacitor 1UF K 6.3V(RoHS)	1	C537	T4J
306	3101051050000	Chip capacitor 1UF K 6.3V(RoHS)	1	C547	T2J
307	3101051050000	Chip capacitor 1UF K 6.3V(RoHS)	1	C555	T3I
308	3101051050000	Chip capacitor 1UF K 6.3V(RoHS)	1	C572	T3I
309	3101051050000	Chip capacitor 1UF K 6.3V(RoHS)	1	C588	T3J
310	3101051050000	Chip capacitor 1UF K 6.3V(RoHS)	1	C590	B1I
311	3101051050000	Chip capacitor 1UF K 6.3V(RoHS)	1	C627	B2I
312	3101051050000	Chip capacitor 1UF K 6.3V(RoHS)	1	C628	B2I
313	3101051050000	Chip capacitor 1UF K 6.3V(RoHS)	1	C634	B4H
314	3101051050000	Chip capacitor 1UF K 6.3V(RoHS)	1	C671	B1H
315	3101051050000	Chip capacitor 1UF K 6.3V(RoHS)	1	C672	B1H
316	3101051050000	Chip capacitor 1UF K 6.3V(RoHS)	1	C679	B1F

No.	Part No.	Description	Qty	Ref No.	Print No.
317	3101051050000	Chip capacitor 1UF K 6.3V(RoHS)	1	C680	B1G
318	3101051200020	Chip capacitor 12PF J 50V(RoHS)	1	C414	T4E
319	3101051200020	Chip capacitor 12PF J 50V(RoHS)	1	C517	T2E
320	3101051200020	Chip capacitor 12PF J 50V(RoHS)	1	C530	T2E
321	3101051200020	Chip capacitor 12PF J 50V(RoHS)	1	C533	T2E
322	3101051200020	Chip capacitor 12PF J 50V(RoHS)	1	C535	T1H
323	3101051200020	Chip capacitor 12PF J 50V(RoHS)	1	C575	T2G
324	3101051500020	Chip capacitor 15PF J 50V(RoHS)	1	C112	T3H
325	3101051500020	Chip capacitor 15PF J 50V(RoHS)	1	C405	T4F
326	3101051500020	Chip capacitor 15PF J 50V(RoHS)	1	C510	T3E
327	3101051500020	Chip capacitor 15PF J 50V(RoHS)	1	C538	T3I
328	3101051500020	Chip capacitor 15PF J 50V(RoHS)	1	C638	B5I
329	3101051500020	Chip capacitor 15PF J 50V(RoHS)	1	C639	B4I
330	3101051510000	Chip capacitor 150PF J 50V(RoHS)	1	C152	T5H
331	3101052200010	Chip capacitor 22PF J 50V(RoHS)	1	C526	T2I
332	3101052200010	Chip capacitor 22PF J 50V(RoHS)	1	C594	T3J
333	3101052200010	Chip capacitor 22PF J 50V(RoHS)	1	C677	B1G
334	3101052200010	Chip capacitor 22PF J 50V(RoHS)	1	C678	B1F
335	3101052230000	Chip capacitor 0.022UF K 16V(RoHS)	1	C208	B2H
336	3101052230000	Chip capacitor 0.022UF K 16V(RoHS)	1	C333	B1I
337	3101052230000	Chip capacitor 0.022UF K 16V(RoHS)	1	C597	T2I
338	3101052230000	Chip capacitor 0.022UF K 16V(RoHS)	1	C642	B5I
339	3101053300000	Chip capacitor 33PF J 50V(RoHS)	1	C134	T5G
340	3101053300000	Chip capacitor 33PF J 50V(RoHS)	1	C143	T4I
341	3101053300000	Chip capacitor 33PF J 50V(RoHS)	1	C504	T3D
342	3101053300000	Chip capacitor 33PF J 50V(RoHS)	1	C523	T2F
343	3101053300000	Chip capacitor 33PF J 50V(RoHS)	1	C527	T2E
344	3101053300000	Chip capacitor 33PF J 50V(RoHS)	1	C557	T3E
345	3101053300000	Chip capacitor 33PF J 50V(RoHS)	1	C560	T3E
346	3101053300000	Chip capacitor 33PF J 50V(RoHS)	1	C561	T2E
347	3101054710010	Chip capacitor 470PF K 50V(RoHS)	1	C109	T3G
348	3101054710010	Chip capacitor 470PF K 50V(RoHS)	1	C119	T3H
349	3101054710010	Chip capacitor 470PF K 50V(RoHS)	1	C142	T5G
350	3101054710010	Chip capacitor 470PF K 50V(RoHS)	1	C151	T3F
351	3101054710010	Chip capacitor 470PF K 50V(RoHS)	1	C159	T5G
352	3101054710010	Chip capacitor 470PF K 50V(RoHS)	1	C161	T4G
353	3101054710010	Chip capacitor 470PF K 50V(RoHS)	1	C209	B2H
354	3101054710010	Chip capacitor 470PF K 50V(RoHS)	1	C330	B3E
355	3101054710010	Chip capacitor 470PF K 50V(RoHS)	1	C332	B2D
356	3101054710010	Chip capacitor 470PF K 50V(RoHS)	1	C403	B3E
357	3101054710010	Chip capacitor 470PF K 50V(RoHS)	1	C406	T5F
358	3101054710010	Chip capacitor 470PF K 50V(RoHS)	1	C407	T3F

No.	Part No.	Description	Qty	Ref No.	Print No.
359	3101054710010	Chip capacitor 470PF K 50V(RoHS)	1	C411	T3G
360	3101054710010	Chip capacitor 470PF K 50V(RoHS)	1	C424	T5E
361	3101054710010	Chip capacitor 470PF K 50V(RoHS)	1	C426	B4B
362	3101054710010	Chip capacitor 470PF K 50V(RoHS)	1	C440	B4C
363	3101054710010	Chip capacitor 470PF K 50V(RoHS)	1	C443	B4F
364	3101054710010	Chip capacitor 470PF K 50V(RoHS)	1	C444	B4F
365	3101054710010	Chip capacitor 470PF K 50V(RoHS)	1	C445	B4E
366	3101054710010	Chip capacitor 470PF K 50V(RoHS)	1	C446	B4E
367	3101054710010	Chip capacitor 470PF K 50V(RoHS)	1	C447	B4E
368	3101054710010	Chip capacitor 470PF K 50V(RoHS)	1	C455	T3F
369	3101054710010	Chip capacitor 470PF K 50V(RoHS)	1	C456	T3G
370	3101054710010	Chip capacitor 470PF K 50V(RoHS)	1	C524	T3E
371	3101054710010	Chip capacitor 470PF K 50V(RoHS)	1	C528	T2J
372	3101054710010	Chip capacitor 470PF K 50V(RoHS)	1	C539	T1G
373	3101054710010	Chip capacitor 470PF K 50V(RoHS)	1	C542	T2G
374	3101054710010	Chip capacitor 470PF K 50V(RoHS)	1	C570	T4I
375	3101054710010	Chip capacitor 470PF K 50V(RoHS)	1	C578	T1F
376	3101054710010	Chip capacitor 470PF K 50V(RoHS)	1	C582	T2G
377	3101054710010	Chip capacitor 470PF K 50V(RoHS)	1	C593	T3I
378	3101054710010	Chip capacitor 470PF K 50V(RoHS)	1	C607	T2E
379	3101054710010	Chip capacitor 470PF K 50V(RoHS)	1	C622	B2J
380	3101054710010	Chip capacitor 470PF K 50V(RoHS)	1	C623	B4J
381	3101054710010	Chip capacitor 470PF K 50V(RoHS)	1	C624	B4J
382	3101054710010	Chip capacitor 470PF K 50V(RoHS)	1	C625	B3J
383	3101054710010	Chip capacitor 470PF K 50V(RoHS)	1	C626	B3J
384	3101054710010	Chip capacitor 470PF K 50V(RoHS)	1	C632	B4H
385	3101054710010	Chip capacitor 470PF K 50V(RoHS)	1	C633	B4H
386	3101054710010	Chip capacitor 470PF K 50V(RoHS)	1	C636	B4I
387	3101054710010	Chip capacitor 470PF K 50V(RoHS)	1	C644	B4H
388	3101054710010	Chip capacitor 470PF K 50V(RoHS)	1	C655	B4H
389	3101054710010	Chip capacitor 470PF K 50V(RoHS)	1	C656	T2B
390	3101054710010	Chip capacitor 470PF K 50V(RoHS)	1	C673	B4A
391	3101054710010	Chip capacitor 470PF K 50V(RoHS)	1	C674	B4A
392	3101054720000	Chip capacitor 4700PF K 50V(RoHS)	1	C647	B2H
393	3101055600000	Chip capacitor 56PF J 50V(RoHS)	1	C596	T3I
394	3101055600000	Chip capacitor 56PF J 50V(RoHS)	1	C601	T3E
395	3101055620010	Chip capacitor 5600PF K 25V(RoHS)	1	C554	T4I
396	3101055620010	Chip capacitor 5600PF K 25V(RoHS)	1	C567	T4I
397	3101056800000	Chip capacitor 68PF J 50V(RoHS)	1	C688	T2B
398	3101060500010	Chip capacitor 5PF B 50V(RoHS)	1	C423	T5C
399	3101060590010	Chip capacitor 0.5PF B 50V(RoHS)	1	C148	T5G
400	3101060600010	Chip capacitor 6PF B 50V(RoHS)	1	C155	T4G

No.	Part No.	Description	Qty	Ref No.	Print No.
401	3101060600010	Chip capacitor 6PF B 50V(RoHS)	1	C429	T4B
402	3101060600010	Chip capacitor 6PF B 50V(RoHS)	1	C431	T4B
403	3101060600010	Chip capacitor 6PF B 50V(RoHS)	1	C433	T4B
404	3101060900010	Chip capacitor 9PF B 50V(RoHS)	1	C158	T4G
405	3101061000000	Chip capacitor 10PF J 50V(RoHS)	1	C434	T4B
406	3101061020000	Chip capacitor 1000PF K 50V(RoHS)	1	C425	T4C
407	3101061020000	Chip capacitor 1000PF K 50V(RoHS)	1	C427	T3C
408	3101061040010	Chip capacitor 0.1UF K 16V(RoHS)	1	C549	T3I
409	3101061200000	Chip capacitor 12PF J 50V(RoHS)	1	C428	T3B
410	3101062000000	Chip capacitor 20PF J 50V(RoHS)	1	C432	T4B
411	3101062000000	Chip capacitor 20PF J 50V(RoHS)	1	C448	T5C
412	3101062200010	Chip capacitor 22PF J 50V(RoHS)	1	C419	T5C
413	3101062250000	Chip capacitor 2.2UF K 10V(RoHS)	1	C604	T2D
414	3101062250000	Chip capacitor 2.2UF K 10V(RoHS)	1	C609	B2J
415	3101062250000	Chip capacitor 2.2UF K 10V(RoHS)	1	C614	T2E
416	3101062250000	Chip capacitor 2.2UF K 10V(RoHS)	1	C615	T2E
417	3101062250000	Chip capacitor 2.2UF K 10V(RoHS)	1	C618	B3J
418	3101062250000	Chip capacitor 2.2UF K 10V(RoHS)	1	C621	B2J
419	3101062250000	Chip capacitor 2.2UF K 10V(RoHS)	1	C630	T1D
420	3101071040000	Chip capacitor 0.1UF K 25V(RoHS)	1	C146	T5H
421	3101071040000	Chip capacitor 0.1UF K 25V(RoHS)	1	C147	T5H
422	3101082260020	Chip capacitor 22UF M 10V(RoHS)	1	C329	B3D
423	3102992000040	Adjustable capacitor 10pF $\pm$ 2.5pF(RoHS)	1	TC101	T4G
424	3102992000040	Adjustable capacitor 10pF $\pm$ 2.5pF(RoHS)	1	TC102	T4G
425	3104071060080	Tantalum capacitor 10UF M 6.3V (RoHS)	1	C132	B5I
426	3104072250060	Tantalum capacitor 2.2UF M 10V(RoHS)	1	C518	T2J
427	3104074750070	Tantalum capacitor 4.7UF M 10V(RoHS)	1	C128	T4I
428	3104074750070	Tantalum capacitor 4.7UF M 10V(RoHS)	1	C140	T3G
429	3104074750070	Tantalum capacitor 4.7UF M 10V(RoHS)	1	C149	T4I
430	3104074750070	Tantalum capacitor 4.7UF M 10V(RoHS)	1	C201	B1F
431	3104074750070	Tantalum capacitor 4.7UF M 10V(RoHS)	1	C206	B5H
432	3104081060120	Tantalum capacitor 10UF M 16V (RoHS)	1	C323	B1D
433	3104082260060	Tantalum capacitor 22UF K 10V (RoHS)	1	C611	T2B
434	3104084750040	Tantalum capacitor 4.7uF K 16V(RoHS)	1	C442	B5F
435	3104084750040	Tantalum capacitor 4.7uF K 16V(RoHS)	1	C651	T2A
436	3104242250000	Tantalum capacitor 2.2UF K 16V (RoHS)	1	C115	T5I
437	3104242250000	Tantalum capacitor 2.2UF K 16V (RoHS)	1	C420	B4E
438	3210106331000	Wire-wound inductor 330nH J 85mA 5.5ohm(RoHS)	1	L506	T3E
439	3210107221000	Wire-wound inductor 220nH J 240mA 0.70ohm(RoHS)	1	L411	B4C
440	3210209102010	Wire-wound inductor 1uH M 445mA 0.5ohm(RoHS)	1	L415	B4A
441	3210305101000	Multi-layer chip inductor 100nH J 150mA 1.25ohm(RoHS)	1	L120	T4G
442	3210305101000	Multi-layer chip inductor 100nH J 150mA 1.25ohm(RoHS)	1	L404	T3F

No.	Part No.	Description	Qty	Ref No.	Print No.
443	3210305101000	Multi-layer chip inductor100nH J 150mA 1.25ohm(RoHS)	1	L418	T4F
444	3210305101000	Multi-layer chip inductor100nH J 150mA 1.25ohm(RoHS)	1	L526	T2G
445	3210305150010	Multi-layer chip inductor15nH J 300mA 0.32ohm(RoHS)	1	L419	T4E
446	3210305220000	Multi-layer chip inductor22nH J 300mA 0.42ohm(RoHS)	1	L417	T4F
447	3210305220000	Multi-layer chip inductor22nH J 300mA 0.42ohm(RoHS)	1	L525	T2F
448	3211506101000	Bead 100nH S 500mA 60ohm (RoHS)	1	L402	T4F
449	3212105470000	Multi-layer chip inductor47nH J 200mA 0.58ohm (RoHS)	1	L517	T3E
450	3213212102000	Wire-wound inductor 1uH J 245mA 1.1Ω (RoHS)	1	L406	T4E
451	3213212331000	Wire-wound inductor 330nH J 400mA 0.6Ω(RoHS)	1	L511	T1G
452	3213306102000	Multi-layer chip inductor1uH K 25mA 0.6Ω(RoHS)	1	L110	T4I
453	3213306102000	Multi-layer chip inductor1uH K 25mA 0.6Ω(RoHS)	1	L201	B2H
454	3213306332000	Multi-layer chip inductor3.3uH K 15mA 1.55Ω(RoHS)	1	L101	T3G
455	3213306332000	Multi-layer chip inductor3.3uH K 15mA 1.55Ω(RoHS)	1	L102	T4G
456	3214307220010	Wire-wound inductor 22nH G 500mA 0.22Ω(RoHS)	1	L509	T3D
457	3214307220010	Wire-wound inductor 22nH G 500mA 0.22Ω(RoHS)	1	L513	T3E
458	3214307220010	Wire-wound inductor 22nH G 500mA 0.22Ω(RoHS)	1	L514	T2E
459	3214307220010	Wire-wound inductor 22nH G 500mA 0.22Ω(RoHS)	1	L515	T2F
460	3217105270000	Wire-wound inductor 27nH J 400mA 0.30Ω(RoHS)	1	L507	T2E
461	3217112102020	Wire-wound inductor 1uH J 370mA 1.75Ω(RoHS)	1	L524	T1G
462	3221506601000	Bead 600Ω 100MHz ±25% 500mA (RoHS)	1	L106	T4F
463	3221506601000	Bead 600Ω 100MHz ±25% 500mA (RoHS)	1	L107	T4I
464	3221506601000	Bead 600Ω 100MHz ±25% 500mA (RoHS)	1	L109	T4I
465	3221506601000	Bead 600Ω 100MHz ±25% 500mA (RoHS)	1	L111	T4H
466	3221506601000	Bead 600Ω 100MHz ±25% 500mA (RoHS)	1	L113	T5I
467	3221506601000	Bead 600Ω 100MHz ±25% 500mA (RoHS)	1	L208	B1G
468	3221506601000	Bead 600Ω 100MHz ±25% 500mA (RoHS)	1	L512	T3J
469	3221506601000	Bead 600Ω 100MHz ±25% 500mA (RoHS)	1	L523	T2G
470	3221506601000	Bead 600Ω 100MHz ±25% 500mA (RoHS)	1	L527	T3F
471	3221506601000	Bead 600Ω 100MHz ±25% 500mA (RoHS)	1	L602	B4H
472	3221506601000	Bead 600Ω 100MHz ±25% 500mA (RoHS)	1	L606	B2I
473	3221506601000	Bead 600Ω 100MHz ±25% 500mA (RoHS)	1	L607	T2D
474	3221507221000	Bead 220Ω 100MHz ±25% 2000mA(RoHS)	1	L407	B4E
475	3221507600000	Bead 60Ω 100MHz ±25% 3000mA(RoHS)	1	L410	B4C
476	3221507600000	Bead 60Ω 100MHz ±25% 3000mA(RoHS)	1	L608	T2A
477	3221507600000	Bead 60Ω 100MHz ±25% 3000mA(RoHS)	1	L609	B1F
478	3231351630000	Air-core inductor E2-0.35*1.6*3TR(RoHS)	1	L420	T4D
479	3231351640000	Air-core inductor E2-0.35*1.6*4TL(RoHS)	1	L421	T4C
480	3231351640000	Air-core inductor E2-0.35*1.6*4TL(RoHS)	1	L521	T3D
481	3231351640000	Air-core inductor E2-0.35*1.6*4TL(RoHS)	1	L522	T3E
482	3231351640000	Air-core inductor E2-0.35*1.6*4TL(RoHS)	1	L528	T2E
483	3231351640000	Air-core inductor E2-0.35*1.6*4TL(RoHS)	1	L529	T1E
484	3231351660000	Air-core inductor E2-0.35*1.6*6TR(RoHS)	1	L424	T3B

No.	Part No.	Description	Qty	Ref No.	Print No.
485	3231351660000	Air-core inductor E2-0.35*1.6*6TR(RoHS)	1	L426	T4B
486	3231351670000	Air-core inductor E2-0.35*1.6*7TR(RoHS)	1	L425	T4B
487	3231351680000	Air-core inductor E2-0.35*1.6*8TR(RoHS)	1	L409	T4D
488	3231351680000	Air-core inductor E2-0.35*1.6*8TR(RoHS)	1	L501	T4C
489	3302030500020	Zener diode 18V (RoHS)	1	D655	T2C
490	3303030300000	Schottky barrier diode 40V 30mA 0.26V/1mA(RoHS)	1	D616	B1H
491	3303240000000	Switching diode 75V 200mA 1.25V 6ns (RoHS)	1	D104	T3F
492	3303990000060	Switching diode 35V 100mA 1V (RoHS)	1	D404	T3F
493	3303990000060	Switching diode 35V 100mA 1V (RoHS)	1	D405	T3F
494	3303990000060	Switching diode 35V 100mA 1V (RoHS)	1	D502	T4C
495	3303990000060	Switching diode 35V 100mA 1V (RoHS)	1	D503	T4C
496	3304040200000	Varactor VR:30V 19.7pF/1VR 2.1pF/28VR (RoHS)	1	D102	T5G
497	3304010100180	Varactor 10V 10-45PF 4.3(RoHS)	1	D103	T5G
498	3304010100180	Varactor 10V 10-45PF 4.3(RoHS)	1	D105	T5G
499	3304010100180	Varactor 10V 10-45PF 4.3(RoHS)	1	D109	T3H
500	3304010100180	Varactor 10V 10-45PF 4.3(RoHS)	1	D111	T3H
501	3304010100180	Varactor 10V 10-45PF 4.3(RoHS)	1	D510	T2F
502	3304010100180	Varactor 10V 10-45PF 4.3(RoHS)	1	D513	T2E
503	3304010100180	Varactor 10V 10-45PF 4.3(RoHS)	1	D514	T3E
504	3304010100180	Varactor 10V 10-45PF 4.3(RoHS)	1	D515	T3E
505	3305180300000	Variable resistance diode 100mA max 1Ω(RoHS)	1	D401	T4C
506	3307110100060	LED 200mcd 30mA 1.9V(RoHS)	1	D602	B4A
507	3307110100080	LED 15mcd 25mA 2.2V(RoHS)	1	D601	B4A
508	3399990000080	Zener diode 6.8V (RoHS)	1	D609	B2I
509	3399990000260	Rectifier diode 10V 15mA 380mV/1mA(RoHS)	1	D505	T3E
510	3401001000490	PNP transistor 50V 150mA(RoHS)	1	Q201	B1H
511	3401002000990	NPN transistor 10V 30mA(RoHS)	1	Q109	T3G
512	3401002000990	NPN transistor 10V 30mA(RoHS)	1	Q110	T3G
513	3403007000020	BRT Vce:50V Vloff:0.3V Vlon:1.4V 70mA(RoHS)	1	Q404	B4E
514	3403008000010	BRT Vce:50V Vloff:0.5V Vlon:3V 100mA (RoHS)	1	Q302	B3E
515	3403008000010	BRT Vce:50V Vloff:0.5V Vlon:3V 100mA (RoHS)	1	Q305	T2D
516	3403008000010	BRT Vce:50V Vloff:0.5V Vlon:3V 100mA (RoHS)	1	Q405	B4E
517	3406001000090	NPN transistor 9V 100mA 8.5GHz(RoHS)	1	Q407	T4F
518	3408002000030	NPN transistor 12V 100mA 1GHz(RoHS)	1	Q506	T2H
519	3411002000020	NPN transistor 50V 150mA(RoHS)	1	Q101	T4F
520	3418001000010	NPN transistor 10V 50mA(RoHS)	1	Q501	T3E
521	3499000000140	N-JFET VGS:15V VGSoff:-1.4V IDSS:50mA (RoHS)	1	Q107	T3G
522	3499000000140	N-JFET VGS:15V VGSoff:-1.4V IDSS:50mA (RoHS)	1	Q108	T4G
523	3499000000150	Composite transistor PNP+NPN -50V/50V -100mA/100mA(RoHS)	1	Q103	T4F
524	3499000000150	Composite transistor PNP+NPN -50V/50V -100mA/100mA(RoHS)	1	Q555	T3I
525	3499000000180	PNP transistor 12V 2.5A(RoHS)	1	Q303	B3D
526	3501020000030	N-MOSFET VDS:6V ID:20mA VGS(th):0.7V (RoHS)	1	Q502	T2G

No.	Part No.	Description	Qty	Ref No.	Print No.
527	3503010000010	P-MOSFET VDS:-30V ID:-100mA VGS(th):-1.9V(RoHS)	1	Q106	T4G
528	3503010000010	P-MOSFET VDS:-30V ID:-100mA VGS(th):-1.9V(RoHS)	1	Q604	T2D
529	3503020000030	N-MOSFET VDS:30V ID:100mA VGS(th):3.0V(RoHS)	1	Q202	B1F
530	3503020000030	N-MOSFET VDS:30V ID:100mA VGS(th):3.0V(RoHS)	1	Q304	B1I
531	3504990000010	Power amplifier MOSFET VDS:30V ID:600mA VGS(th):1.8V 1.4W(RoHS)	1	Q402	T4E
532	3504990000040	Power amplifier MOSFET 10uA 25V 10uA 7.2V 7W (RoHS)	1	Q403	T5D
533	3603018000000	IF processor 10~150MHZ 1.8~5.5V(RoHS)	1	U611	T2J
534	3604007000000	PLL IC 1.2GHZ (RoHS)	1	U102	T4H
535	3605002057090	Operational amplifier 6~12V 200mW 100dB(RoHS)	1	U613	T3I
536	3605002057290	Operational amplifier 1.5~7V 200mW 70dB(RoHS)	1	U203	B1G
537	3605008005070	Operational amplifier 3~32V 300mW 100dB(RoHS)	1	U401	B4E
538	3605010000020	Operational amplifier TI(RoHS)	1	U610	T4J
539	3605017005540	Operational amplifier 1.8~15V 220mW 39dB(RoHS)	1	U302	B2D
540	3608015000000	Power management IC 5V(RoHS)	1	U604	T2B
541	3608015000050	Power management IC 4.5V&4.5V 150mA(RoHS)	1	U606	T2D
542	3609006000000	Reset IC 2.7V(RoHS)	1	U605	B2I
543	3609049000010	Power management IC 3V 300mA(RoHS)	1	U602	B2J
544	3610999000060	SCM 100Pin H7 (RoHS)	1	U601	B3I
545	3612031000510	Memory EEPROM 16KB 1.8~5.5V(RoHS)	1	U603	B2I
546	3701038450000	Crystal oscillator 38.4MHz ±3ppm 2.8V(RoHS)	1	XT101	T5I
547	3701327610060	Crystal 32.768KHz ±20ppm 12.5pF(RoHS)	1	X601	B5I
548	3801045030240	Ceramic filter 450KHz ±6KHz 6.0dB(RoHS)	1	CF501	T1I
549	41005001021A0	Main PCB board (RoHS)	1		
550	3001051010000	Chip resistor 100Ω J 1/16W(RoHS)	1	R412	T5E
551	3001051220000	Chip resistor 1.2KΩ J 1/16W(RoHS)	1	R110	T5H
552	3001051830010	Chip resistor 18KΩ F 1/16W(RoHS)	1	R635	B2H
553	3001052230000	Chip resistor 22KΩ F 1/16W(RoHS)	1	R416	T5E
554	3001052230000	Chip resistor 22KΩ F 1/16W(RoHS)	1	R560	T3I
555	3001052740000	Chip resistor 270KΩ J 1/16W(RoHS)	1	R509	T3J
556	3001053330000	Chip resistor 33KΩ F 1/16W(RoHS)	1	R407	B4E
557	3001053910010	Chip resistor 390Ω F 1/16W(RoHS)	1	R115	T3G
558	3001053910010	Chip resistor 390Ω F 1/16W(RoHS)	1	R116	T4G
559	3001053940010	Chip resistor 390KΩ F 1/16W(RoHS)	1	R117	T5G
560	3001054730010	Chip resistor 47KΩ F 1/16W(RoHS)	1	R559	T3I
561	3001054740010	Chip resistor 470KΩ F 1/16W(RoHS)	1	R439	B4E
562	3001055610010	Chip resistor 560Ω F 1/16W(RoHS)	1	R505	T2G
563	3001055610010	Chip resistor 560Ω F 1/16W(RoHS)	1	R506	T1H
564	3101050900000	Chip capacitor 9PF B 50V (RoHS)	1	C157	T4G
565	3101050900000	Chip capacitor 9PF B 50V (RoHS)	1	C544	T1G
566	3101051520000	Chip capacitor 1500PF K 50V(RoHS)	1	C569	T3I
567	3101054700010	Chip capacitor 47PF J 50V(RoHS)	1	C439	T3G
568	3101054700010	Chip capacitor 47PF J 50V(RoHS)	1	C454	T3G



No.	Part No.	Description	Qty	Ref No.	Print No.
569	3101062400010	Chip capacitor 24PF J 50V(RoHS)	1	C430	T4B
570	3101062400010	Chip capacitor 24PF J 50V(RoHS)	1	C449	T4C
571	3101063300000	Chip capacitor 33PF J 50V(RoHS)	1	C418	T5D
572	3101065600000	Chip capacitor 56PF J 50V(RoHS)	1	C451	T5C
573	3210108470000	Wire-wound inductor 47nH J 380mA 0.11ohm(RoHS)	1	L118	T4G
574	3210305270000	Multi-layer chip inductor27nH J 300mA 0.46ohm(RoHS)	1	L112	T3G
575	3210306680000	Multi-layer chip inductor68nH J 300mA 0.80ohm(RoHS)	1	L408	T4E
576	3231351650000	Air-core inductor E2-0.35*1.6*5TL(RoHS)	1	L423	T4C
577	5205000001530	Battery connector black (RoHS)	1	G1	T3C
578	3001055100020	Chip resistor 51Ω F 1/16W (RoHS)	1	R114	T3G
579	3001055110000	Chip resistor 510Ω J 1/16W (RoHS)	1	R519	T3E
580	3001055630010	Chip resistor 56KΩ F 1/16W (RoHS)	1	R512	T3E
581	3101051810010	Chip capacitor 180p J 50V(RoHS)	1	C522	T3J
582	3101060700020	Chip capacitor 7PF B 50V(RoHS)	1	C110	T3G
583	3101060700020	Chip capacitor 7PF B 50V(RoHS)	1	C131	T3G
584	3210108390000	Wire-wound inductor 39nH J 490mA 0.067ohm(RoHS)	1	L104	T3H
585	3001055130000	Chip resistor 51KΩ F 1/16W(RoHS)	1	R652	B1F
586	3001056800010	Chip resistor 68Ω F 1/16W(RoHS)	1	R537	T2G
587	3101051230000	Chip capacitor 0.012UF K 25V(RoHS)	1	C580	T4I
588	3213306682000	Multi-layer chip inductor6.8uH K 5mA 1.7Ω(RoHS)	1	L103	T4G
589	3213306682000	Multi-layer chip inductor6.8uH K 5mA 1.7Ω(RoHS)	1	L105	T3H
590	3213306682000	Multi-layer chip inductor6.8uH K 5mA 1.7Ω(RoHS)	1	L115	T4H
591	3213306682000	Multi-layer chip inductor6.8uH K 5mA 1.7Ω(RoHS)	1	L116	T4H
592	3213306682000	Multi-layer chip inductor6.8uH K 5mA 1.7Ω(RoHS)	1	L117	T4G
593	3213306682000	Multi-layer chip inductor6.8uH K 5mA 1.7Ω(RoHS)	1	L119	T4G

# Tuning Description

## I Required Test Instruments

Radio communication test set (HP8921)	1 set
10V/3A regulated DC power supply	1 set
Digital voltmeter	1 set
Ammeter	1 set

## II Preparation

Place the board to be tested on the test fixture (please ensure good connection between each test point and the fixture), and connect the board to a power supply with DC voltage of 7.4V.

## III Tuning Procedures

### 1. Description of Tuning Procedures:

- 1) Hold down **PTT** and **SK1** for more than 2 seconds while powering on the radio. At this time, the LED glows orange when the radio enters the Tuning Mode. After the keys are released, the radio will enter the tuning item in this mode (the item depends on the position where the **Channel Selector** knob locates). And LED will glow red or green according to the specific tuning item. Or
- 2) Connect a programming cable to the radio for real-time tuning in PC Programming Mode.

### 2. Description of Tuning Items:

Channel No.	Tuning Item	Tunable Frequency					
		Wide Band			Narrow Band		
		Low	Medium	High	Low	Medium	High
1	TX Low Power	Y	Y	Y			
2	TX High Power	Y	Y	Y			
3	CDCSS Balance	Y	Y	Y	Y	Y	Y
4	CDCSS Deviation	Y	Y	Y	Y	Y	Y
5	CTCSS Deviation (67Hz)	Y	Y	Y	Y	Y	Y
6	CTCSS Deviation (151.4Hz)	Y	Y	Y	Y	Y	Y
7	CTCSS Deviation (254.1Hz)	Y	Y	Y	Y	Y	Y
8	TX Low Voltage Threshold		Y				
9	Max. TX Audio Deviation	Y	Y	Y	Y	Y	Y
10	SQL Normal Open	Y	Y	Y	Y	Y	Y
11	SQL Normal Close	Y	Y	Y	Y	Y	Y
12	RX Low Voltage Threshold		Y				
13	Bandpass Filter	Y	Y	Y			

Note: Y indicates frequencies available for tuning, and the rest are blank channels without tuning items.

### 3. Specific Operations and Requirements:

- 1) Conventional Tuning Items (outside the tuning mode): TX Frequency Tolerance and VCO Lock Voltage.

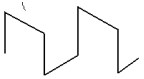
Note: CH1, CH2 and CH3 have been preset as low, medium and high frequencies respectively for wide bands and CH4, CH5 and CH6 as low, medium and high frequencies respectively for narrow bands. Make sure the antenna or load is connected before tuning.

Item	Condition	Measurement		Tuning		Specifications / Remarks
		Test Instrument	Test Point	Part	Method	
TX Frequency Tolerance	Set to CH1, and hold down <b>PTT</b> to transmit.	Communication test set	Antenna connector	VR101	Tune VR101 with ceramic tuning tool to control the center frequency within the error range.	≤150Hz
TX VCO Lock Voltage	Set to CH3, and hold down <b>PTT</b> to transmit.	Digital voltmeter	CV	TC101	Tune TC101 with ceramic tuning tool until the lock voltage meets the requirements.	3V - 4V
	Set to CH1, and hold down <b>PTT</b> to transmit.				Check	≥0.5V
RX VCO Lock Voltage	Set to CH3.			TC101	Check	3V - 4V
	Set to CH1.	Check	≥0.5V			

2) Tuning in the mode

Note: Make sure that the antenna or load is connected before tuning; rotate the **Channel Selector** knob to save the value.

Item	Condition	Measurement		Tuning		Specifications / Remarks
		Test Instrument	Test Point	Part	Method	
TX Power	High	Communication test set Ammeter	Antenna connector		Press <b>SK1</b> or <b>SK2</b> to tune the output power, and rotate the <b>Channel Selector</b> knob to save it.	4 - 4.4W I≤1.4A
	Low				Set to CH2 (low frequency). Short press <b>PTT</b> to switch among different frequencies (low, medium and high).	Press <b>SK1</b> or <b>SK2</b> to tune the output
					Set to CH1 (low frequency).	

		Short press <b>PTT</b> to switch among different frequencies (low, medium and high).				power, and rotate the <b>Channel Selector</b> knob to save it.		
CDCSS Balance		Set to CH3. At this time, "wide bandwidth" and "low frequency" are selected.			VR601	Make the waveform similar to square waveform.		
		Short press <b>PTT</b> to switch among different frequencies (low, medium and high), and long press this key to switch between wide and narrow bands.						
CDCSS Deviation	Wide Band	Set to CH4. At this time, "wide bandwidth" and "low frequency" are selected.	Communication Test Set BPF: <20Hz~300 Hz	Antenna connector		Press <b>SK1</b> or <b>SK2</b> to make tuning until the CDCSS deviation meets the requirements.	500 - 900Hz	
		Short press <b>PTT</b> to switch among different frequencies (low, medium and high).						
	Narrow Band	Long press <b>PTT</b> to enter narrow band (low frequency).					Press <b>SK1</b> or <b>SK2</b> to make tuning until the CDCSS deviation meets the requirements.	300 - 500Hz
		Short press <b>PTT</b> to switch among different frequencies (low, medium and high).						
CTCSS Deviation	Wide Band	Set to CH5, CH6 and CH7, with CTCSS respectively to low, medium and high. At this time, "wide band" is selected. Short press <b>PTT</b> to switch frequencies	Communication Test Set BPF: <20Hz~300 Hz	Antenna connector		Press <b>SK1</b> or <b>SK2</b> key to make slight tuning until the CTCSS deviation meets the requirements.	500 - 900Hz	

		on each channel.					
	Narrow Band	On CH5, CH6, and CH7, long press <b>PTT</b> to enter narrow band, and short press <b>PTT</b> to switch frequencies.				Press <b>SK1</b> or <b>SK2</b> key to make slight tuning until the CTCSS deviation meets the requirements.	300 - 500Hz
TX Low Voltage Threshold	Set to CH8		Digital voltmeter	Power Supply Port	Power Supply	Tune the output voltage to 6.4V, and press <b>SKI</b> to sample the value, finally rotate the <b>Channel Selector</b> knob to save it.	When the value is $6.4 \pm 0.1V$ , an alert tone will sound to indicate transmission inhibition.
Maximum Frequency Deviation	Wide Band	Set to CH9. At this time, "wide bandwidth" and "low frequency" are selected. Short press <b>PTT</b> to switch among different frequencies (low, medium and high). Long press <b>PTT</b> to switch to narrow band.	Communication Test Set BPF: <20Hz - 15kHz AF: 1kHz 120mV	Antenna connector Accessory Jack		Apply <b>SK1</b> or <b>SK2</b> to ensure that the value meets the requirements. After tuning is completed, rotate the <b>Channel Selector</b> knob to save.	4.2 - 4.7KHz
	Narrow Band						1.9 - 2.4KHz
Modulation Sensitivity	Wide Band	Set to CH9. At this time, "wide bandwidth" and "low frequency" are selected. Short press <b>PTT</b> to switch among different frequencies (low, medium and high). Long press <b>PTT</b> to	Communication Test Set BPF: <20Hz - 15Hz AF: 1kHz 9±4mV			Check	3.0KHz
	Narrow Band						1.5KHz

		switch to narrow band.					
Squelch On	Wide Band	Set to CH10 and SQL On 5. Press <b>SK1</b> or <b>SK2</b> key to sample the current value. At this time, “wide band” and “low frequency” are selected. Short press <b>PTT</b> to switch among different frequencies (low, medium and high).	Communication test set SSG: -123dBm MOD: 1KHz DEV: 3KHz Filter: 0.3 - 3KHz	Antenna connector Accessory Jack		Tune the output signals of SSG to the squelch level. Rotate the <b>Channel Selector</b> knob to save the value after three-point tuning.	Squelch level 5: -123±1dBm
	Narrow Band	Long press <b>PTT</b> to enter narrow band, and press <b>SK1</b> or <b>SK2</b> to sample the current value. Short press <b>PTT</b> to switch the frequency.	Communication test set SSG: -121dBm MOD: 1KHz DEV: 1.5KHz Filter: 0.3 - 3KHz			Sam as above	Squelch level 5: -121±1dBm
Squelch Off	Wide Band	Set to CH11 and SQL Off 5. Press <b>SK1</b> or <b>SK2</b> to sample the current value. At this time, “wide band” and “low frequency” are selected. Short press <b>PTT</b> to switch frequencies.	Communication test set SSG: -126dBm MOD: 1KHz DEV: 3KHz Filter: 0.3 - 3KHz	Antenna connector Accessory Jack		Tune the output signals of SSG to the squelch level. Rotate the <b>Channel Selector</b> knob to save the value after three-point tuning.	Squelch level 5: -125±1dBm
	Narrow Band	Long press <b>PTT</b> to enter narrow band, and press <b>SK1</b> or <b>SK2</b> to sample the current value. Short press <b>PTT</b> to switch the frequency.	Communication test set SSG: -124dBm MOD: 1KHz DEV: 1.5KHz Filter: 0.3 - 3KHz			Sam as above	Squelch level 5: -123±1dBm
RX Low Voltage Threshold	Set to CH12.		Digital voltmeter	Power Supply Port	Power Supply	Tune the output voltage to 7.0V, and press <b>SKI</b> to sample the	When the value is 6.9±0.1V, an alert tone will be

						value, finally rotate the <b>Channel Selector</b> knob to save it.	given with red LED flashing.
RX Sensitivity (Bandpass)	Wide Band	Set to CH13 (low frequency).	Communication test set SSG: -119dBm MOD: 1KHz DEV: 3.0KHz Filter: 0.3 - 3KHz	Antenna connector Accessory Jack	SK1 SK2	Check the bandpass waveform, and use <b>SK1</b> and <b>SK2</b> to perform tuning. After three-point tuning is completed, rotate the <b>Channel Selector</b> knob to save.	Rotate the <b>Volume Control</b> knob to a proper location until the output amplitude is not limited. SINAD: $\geq 12\text{dB}$
		Short press <b>PTT</b> to switch among different frequencies (low, medium and high).					

**Appendix 1:**

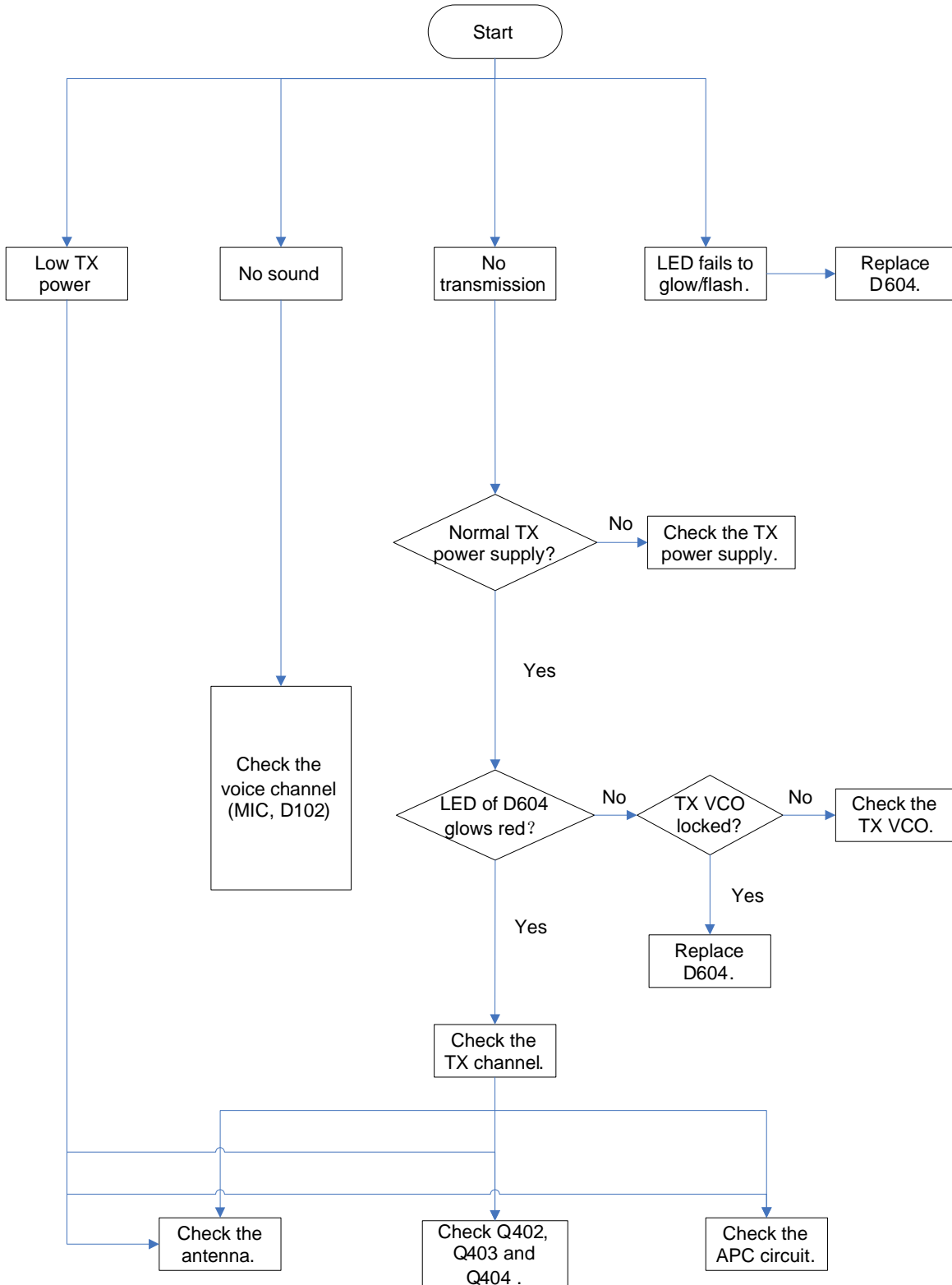
**Reference Value for Source Radio**

Test Item	Wide Band			Narrow Band		
	Freq. 1	Freq. 2	Freq. 3	Freq. 1	Freq. 2	Freq. 3
TX Low Power	38	40	39	/	/	/
TX High Power	83	81	83	/	/	/
CDCSS Balance	Dependent on the waveform.					
CDCSS Deviation	87	85	87	50	51	52
CTCSS Deviation (67Hz)	119	120	119	75	72	71
CTCSS Deviation (151.4Hz)	121	123	135	73	71	80
CTCSS Deviation (254.1Hz)	133	135	137	79	83	89
TX Low Voltage Threshold		173			173	
Max. TX Audio Deviation	126	128	136	58	60	63
SQL Normal Open	39	40	43	31	32	35
SQL Normal Close	53	51	55	46	45	45
RX Low Voltage Threshold		186			186	
Bandpass Filter	76	123	173	/	/	/

Note: The value is subject to that of the source radio.

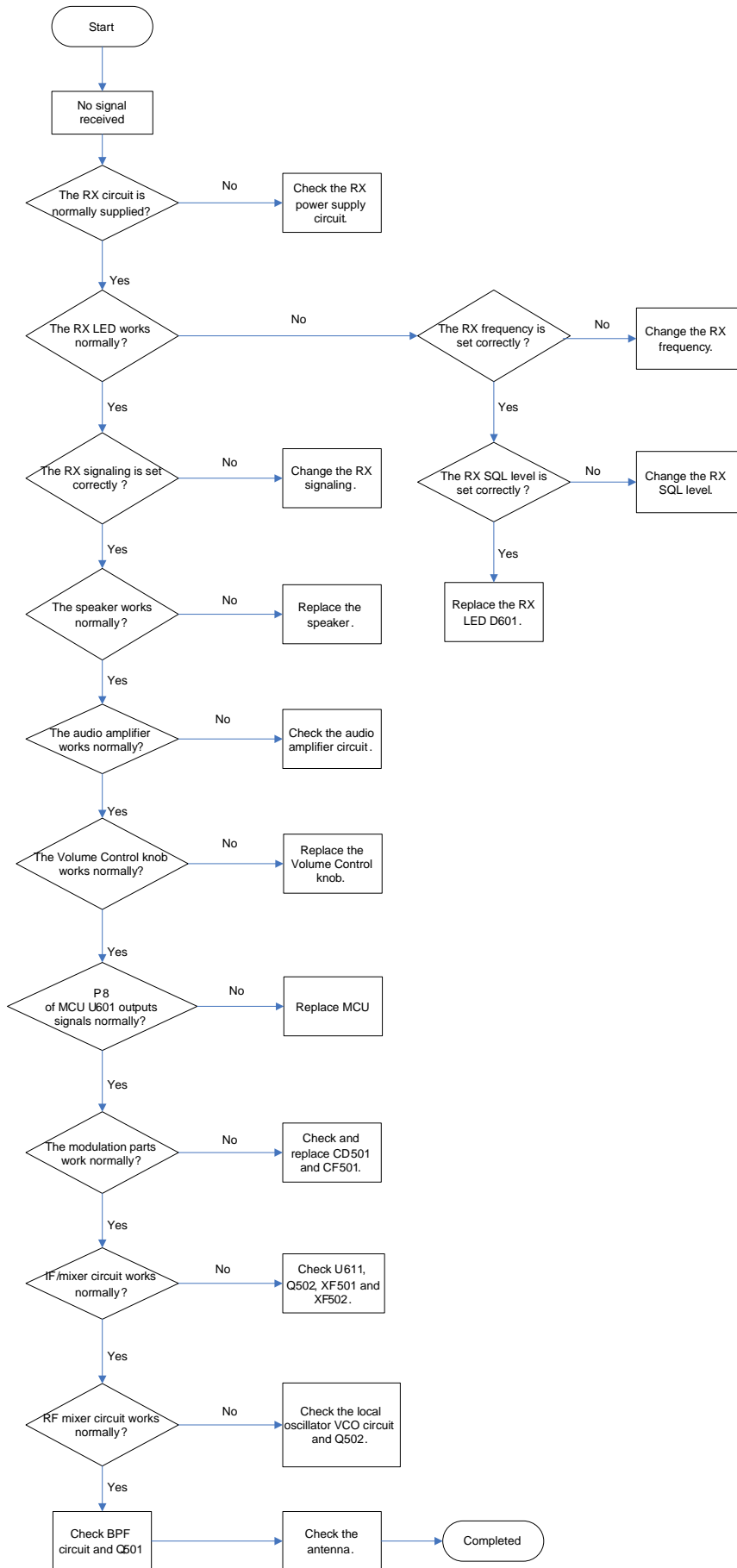
# Troubleshooting Flow Chart

## TX Circuit

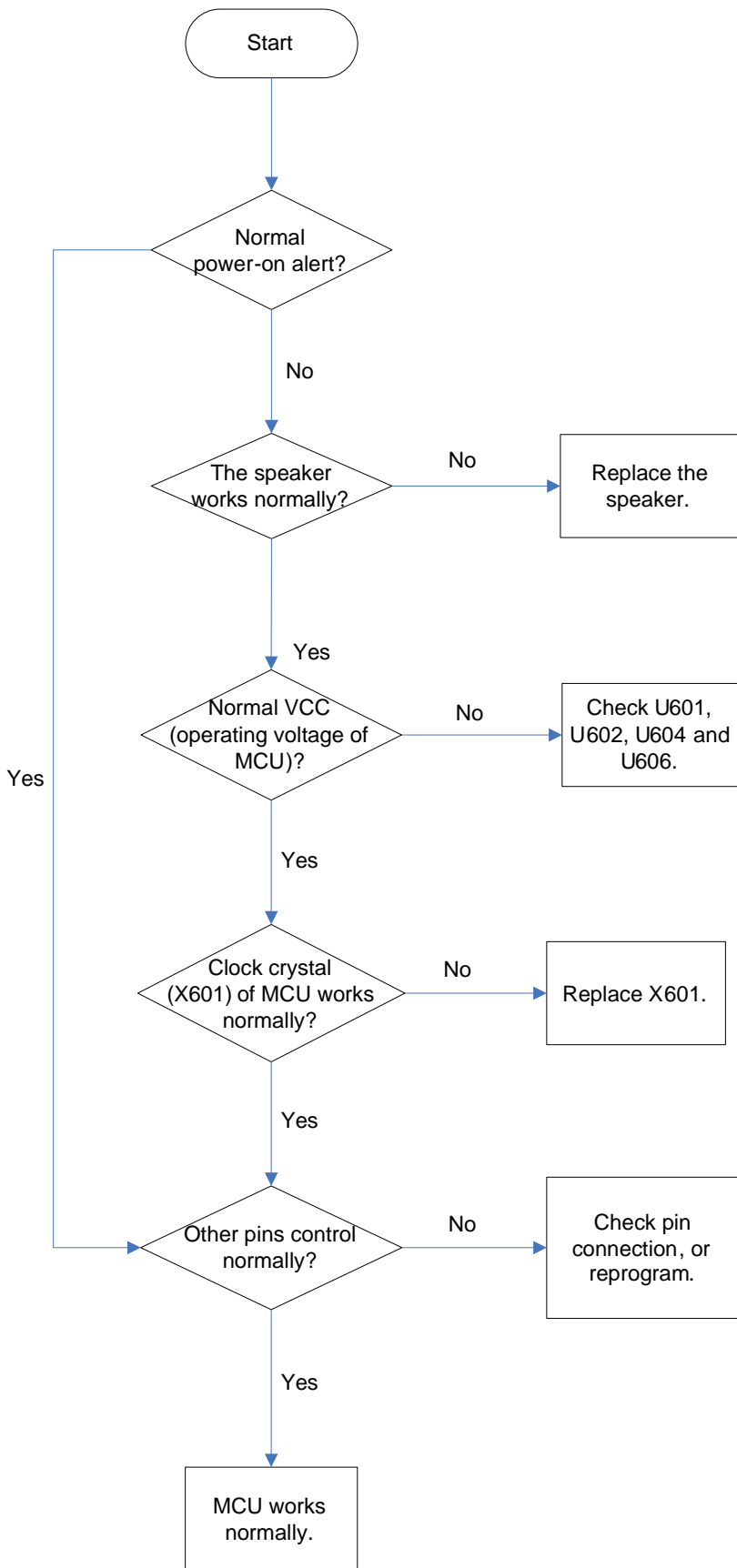




**RX Circuit**



**MCU**



## Disassembly and Assembly

### Disassembling the chassis

1. Remove the Antenna, Channel Selector knob and Radio On-Off/Volume Control knob.
2. Unscrew the nuts for the channel selector knob and the volume control knob.
3. Unscrew the two screws with a screwdriver at the bottom of the radio.
4. Lift the chassis by 25 degrees and pull it backwards.
5. Unsolder the speaker cable with an electric iron and remove the chassis.

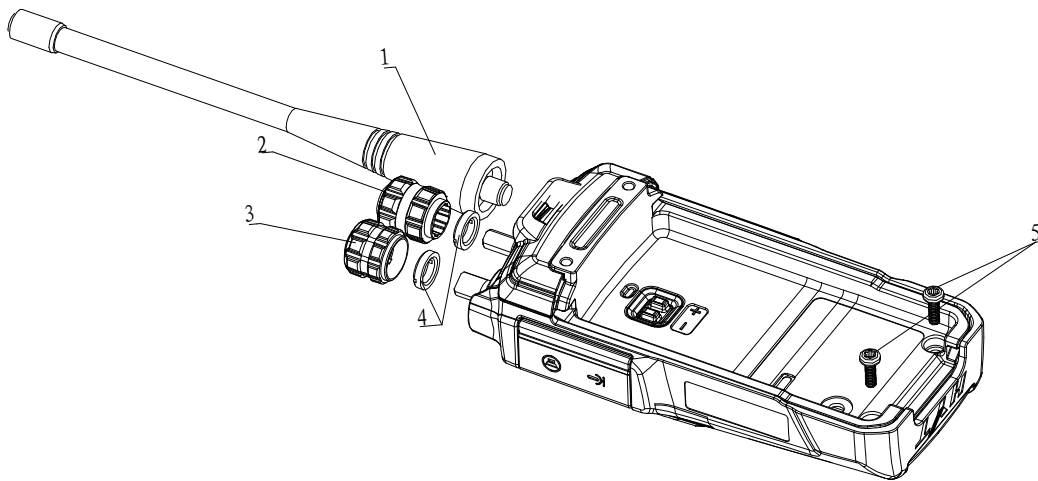


Figure 7

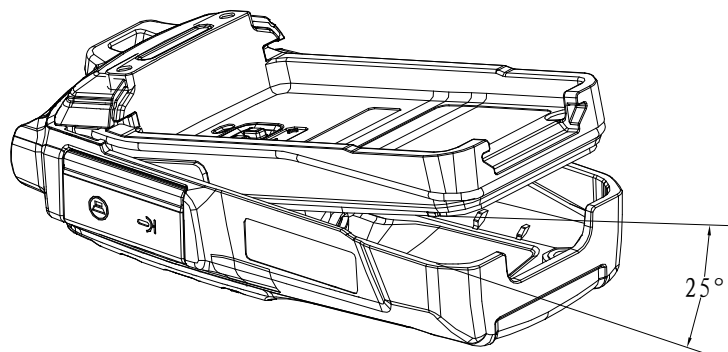


Figure 8

### Disassembling the speaker

1. Unscrew the screw shown in Figure 9, and remove the speaker fixing sheet.
2. Remove the speaker.

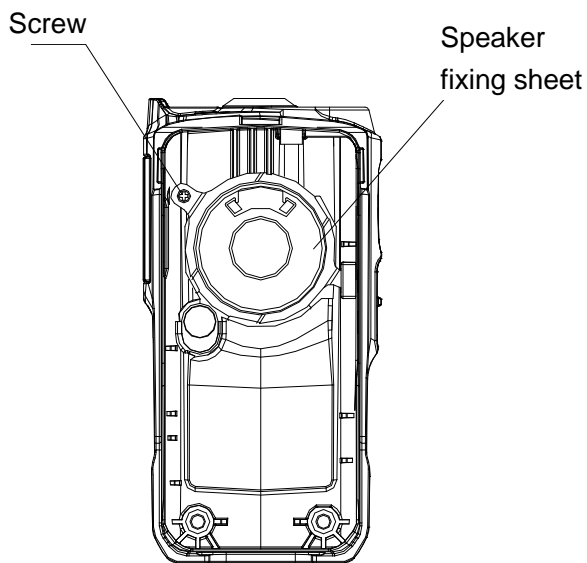


Figure 9

### Disassembling the PCB

1. Loosen the screw ⑥ (fixing the PCB) and ⑦ (fixing the PTT keypad). Then unsolder the antenna connector.
2. Remove the main board ⑧ from the chassis.

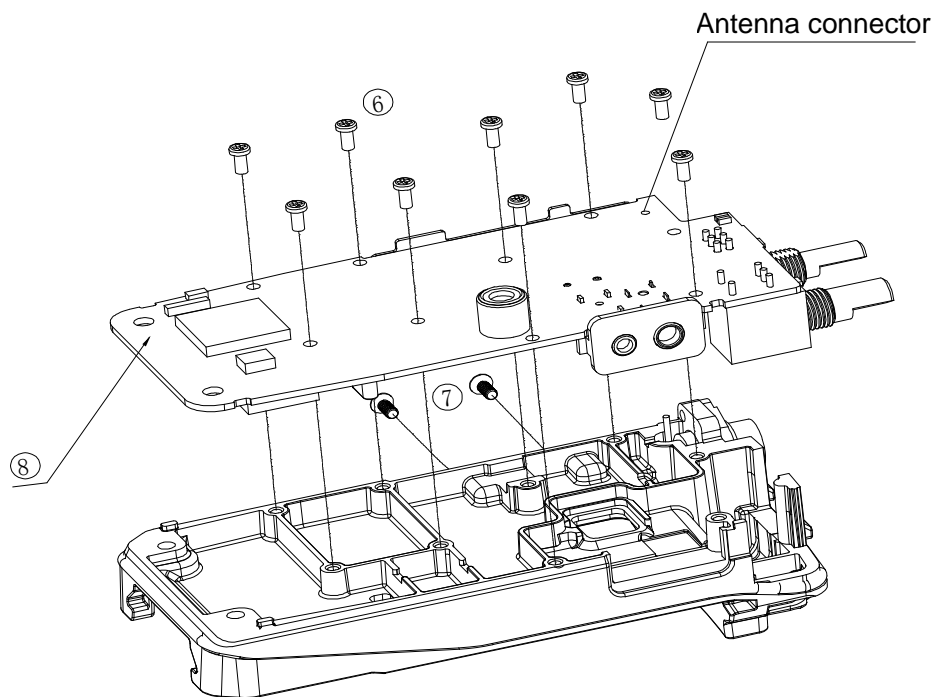


Figure 10

## Assembling the radio unit

1. Insert the speaker into the front case properly.
2. Insert the speaker fixing sheet into the front case, and fix it with a screw.
3. Make sure the antenna sleeve is properly attached.
4. Make sure the waterproof ring surrounding the chassis is well fitted into the slot.
5. Insert the antenna core into the sleeve. and solder the speaker cable to the PCB.
6. After the chassis and front case are fully assembled, press the bottom of the chassis downwards, and then secure them with the screw, so as to fit the chassis into the radio case.

**Note:** If the waterproof ring is not properly positioned after assembly, use your fingers to make it in place.

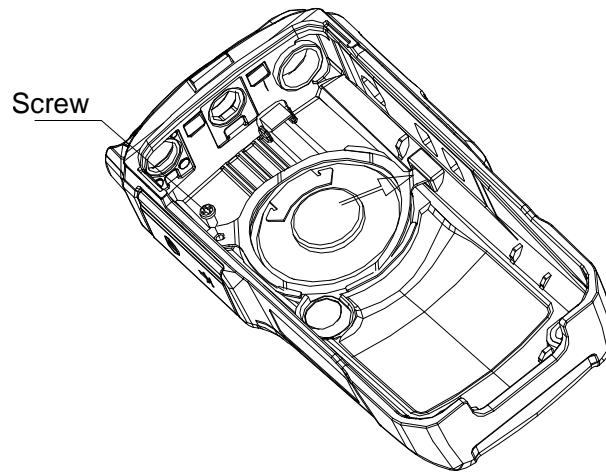


Figure 11

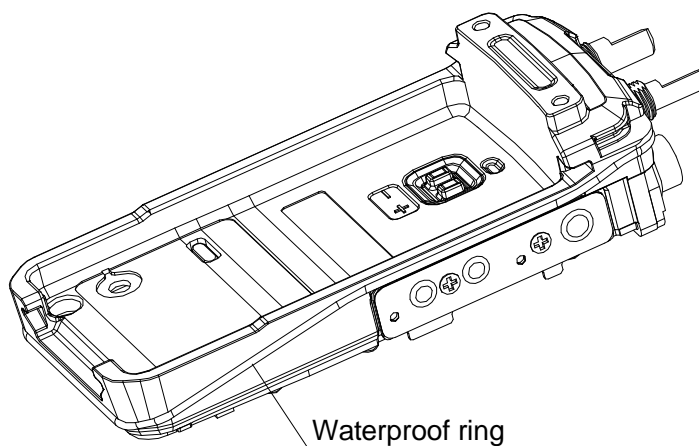
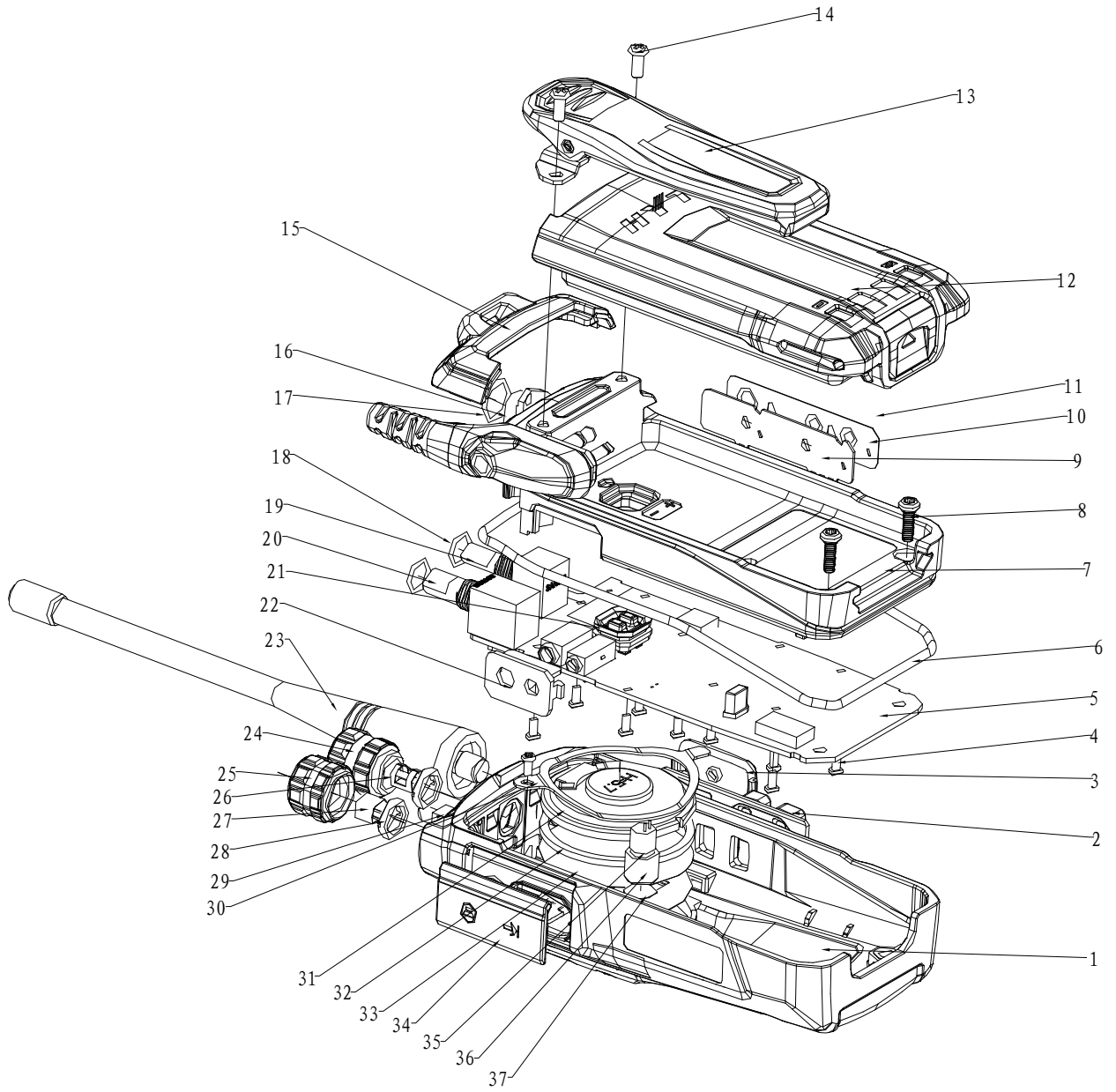


Figure 12

**Exploded View**

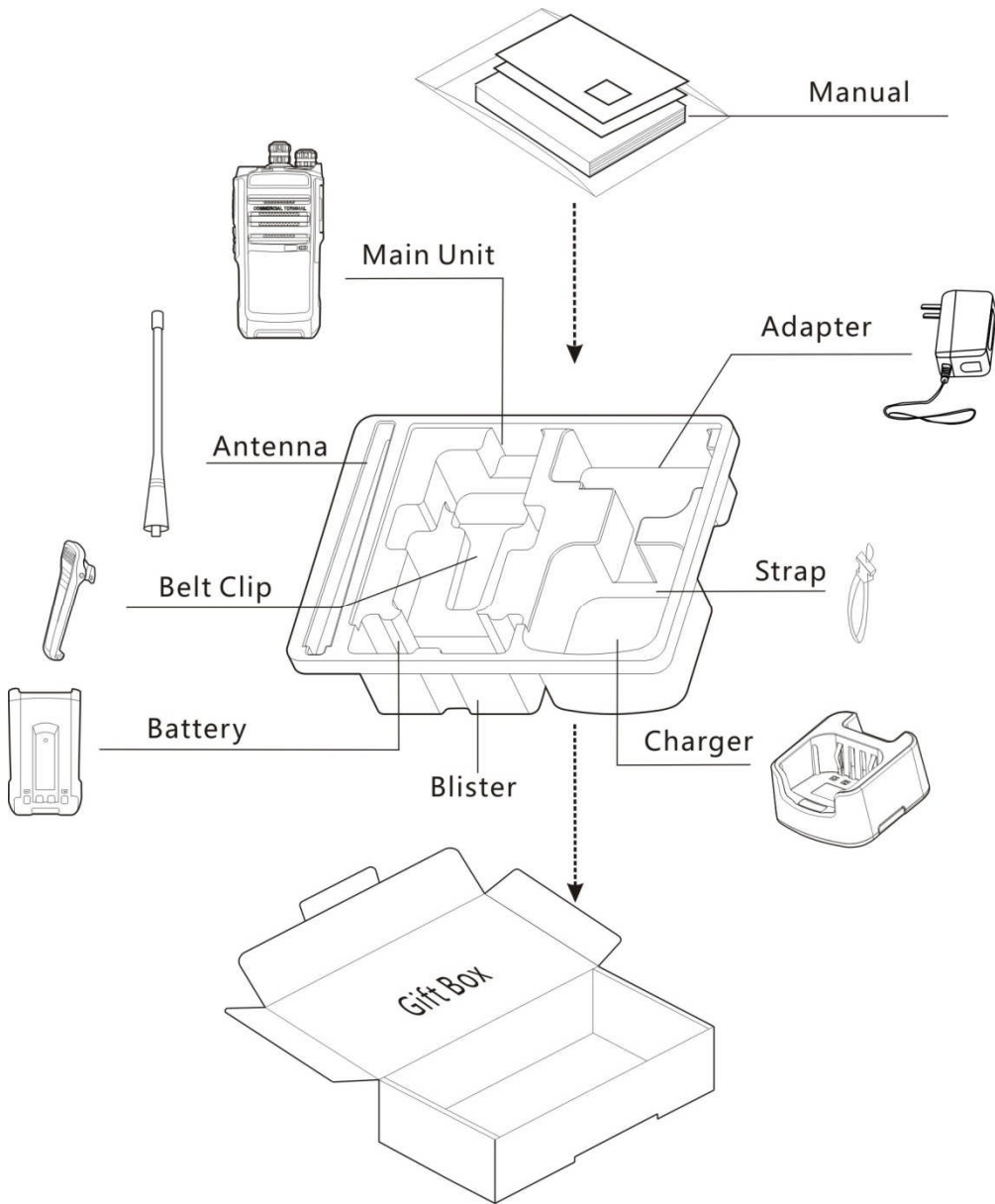


**Parts List 2**

No.	Part No.	Description	Qty.
1	6001139000000	Front case (RoHS)	1
2	6100312000010	PTT key (silicone rubber) (RoHS)	1
3	6000842100010	PTT key (plastic) (RoHS)	1
4	7101904020200	Self-tapping screw (RoHS)	10
5		Main PCB board (RoHS)	1
6	6100542100000	Waterproof ring for radio (RoHS)	1
7	6300115000000	Aluminum chassis (RoHS)	1
8	7102508000010	Machine screw (RoHS)	1
9	41005002004B0	PCB for PTT key (RoHS)	1
10	7300032000000	Metal dome for PTT key (RoHS)	1
11	7102504000300	Machine screw (RoHS)	2
12	1602L13000000	Li-Ion battery pack (RoHS)	1
13	1605040000000	Spring belt clip with metal bracket (RoHS)	1
14	7103006004000	Machine screw (RoHS)	2
15	6001140000000	Rear cover (RoHS)	1
16	4400100008000	SMA RF connector (RoHS)	1
17	6100335000000	O_ring for antenna (RoHS)	1
18	6100370000000	Waterproof ring for switch (RoHS)	2
19	4304030000010	Rotary switch (RoHS)	1
20	4302020000140	Volume switch (RoHS)	1
21	6100314000000	Waterproof ring for battery connector (RoHS)	1
22	6000852000000	Bracket for accessory jack (RoHS)	1
23	16010415W0050	Antenna (RoHS)	1
24	6000845100010	Encoder knob (RoHS)	1
25	6000846100000	Volume control knob (RoHS)	1
26	6201739000000	Inner lining for knob (RoHS)	1
27	6201066000000	Inner lining for knob (RoHS)	1
28	7207002200200	Nut (RoHS)	2
29	6000854000000	Light guide (RoHS)	1
30	6201870000000	Speaker fixing sheet (RoHS)	1
31	5001210000470	Speaker (RoHS)	1
32	6100077000000	Speaker washer (RoHS)	1
33	7400322000000	Speaker felt (RoHS)	1
34	6000749000000	Accessory jack cover (RoHS)	1
35	5002220000070	Microphone (RoHS)	1
36	6100345000000	MIC cover (RoHS)	1
37	7400141000000	MIC net (RoHS)	1

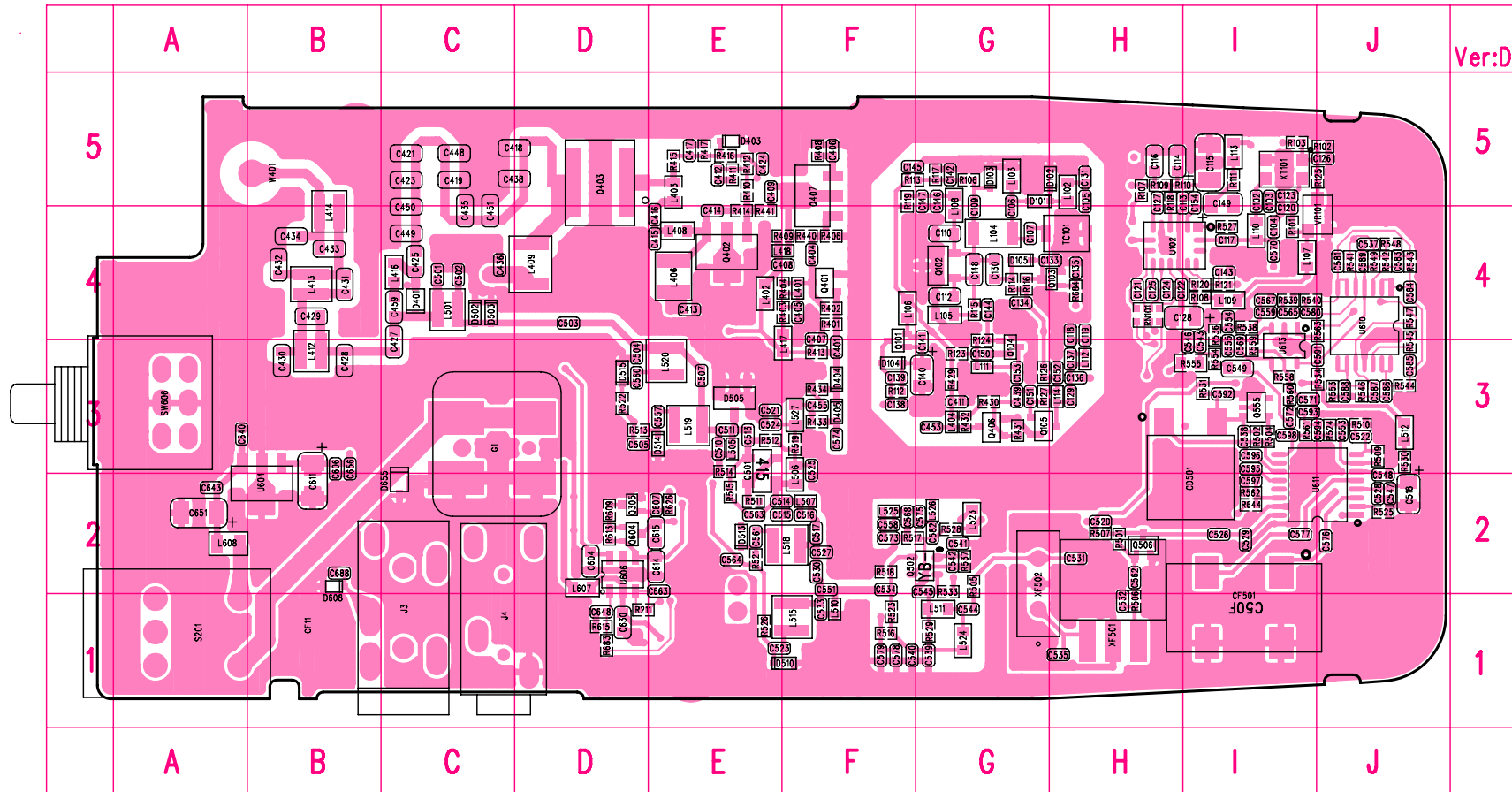
Note: Parts that are not marked with Part No. may vary with the radio frequency band.

**Packing Guide**

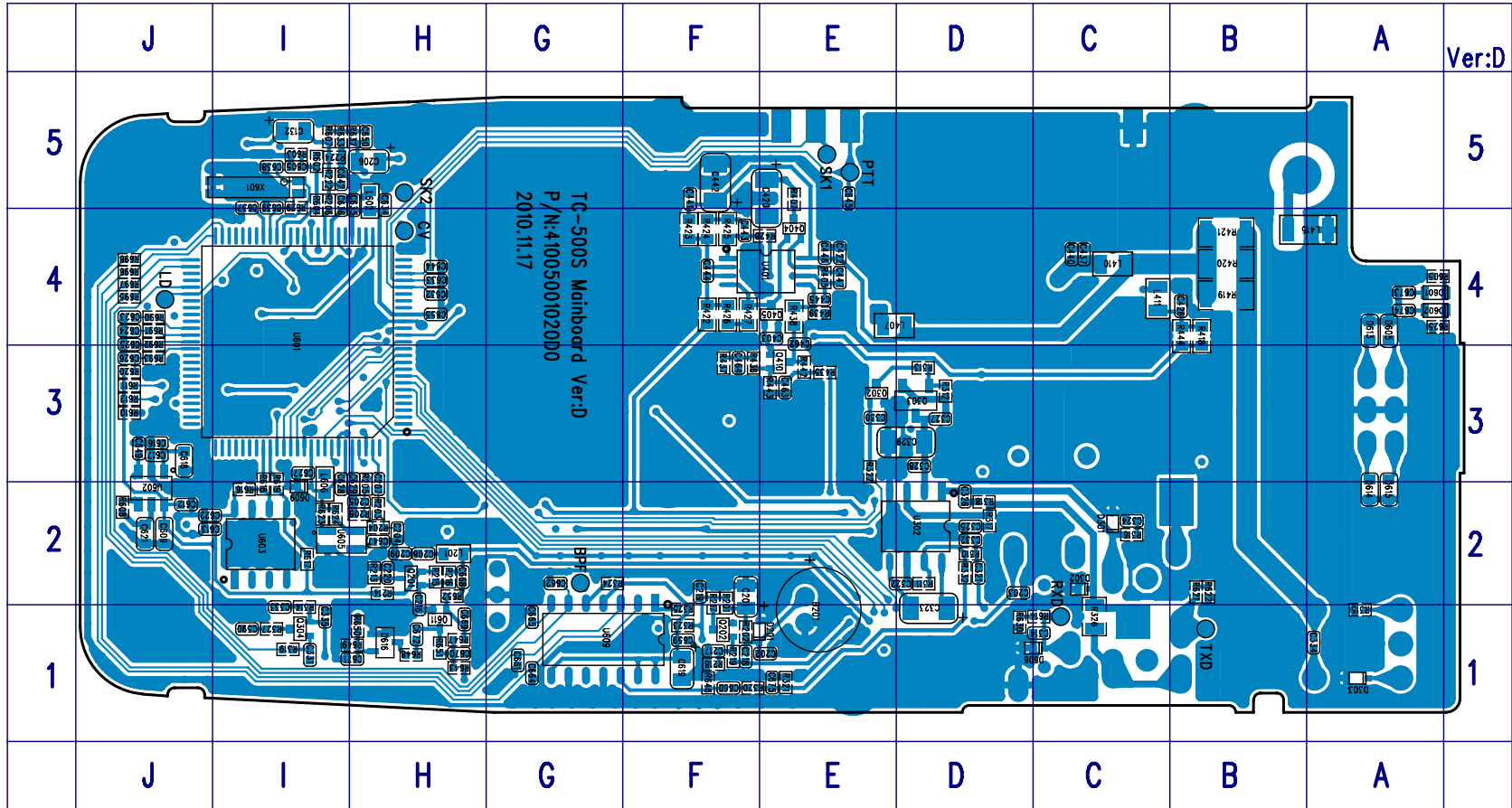




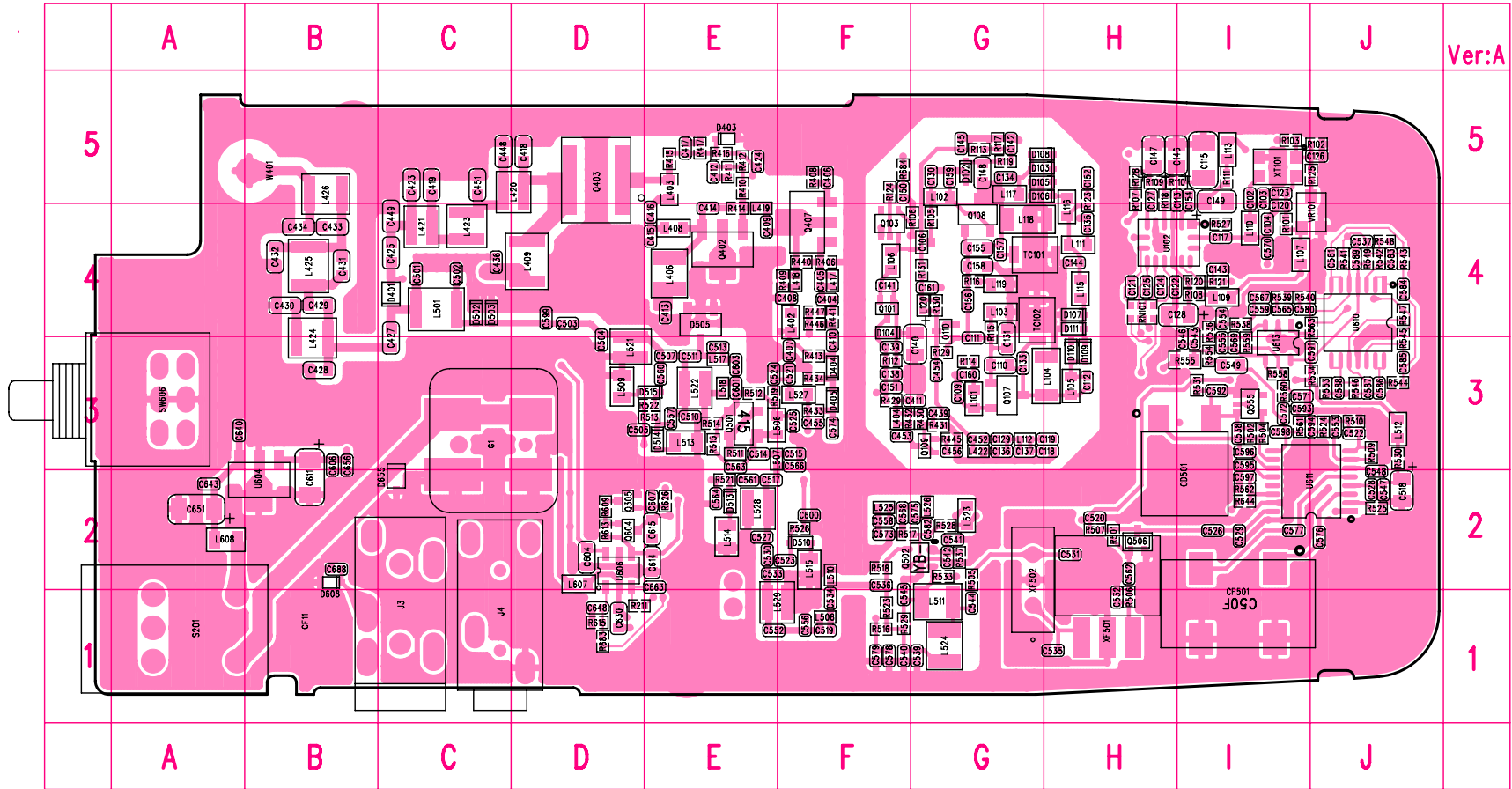
# TC-508 UHF PCB View Top Layer



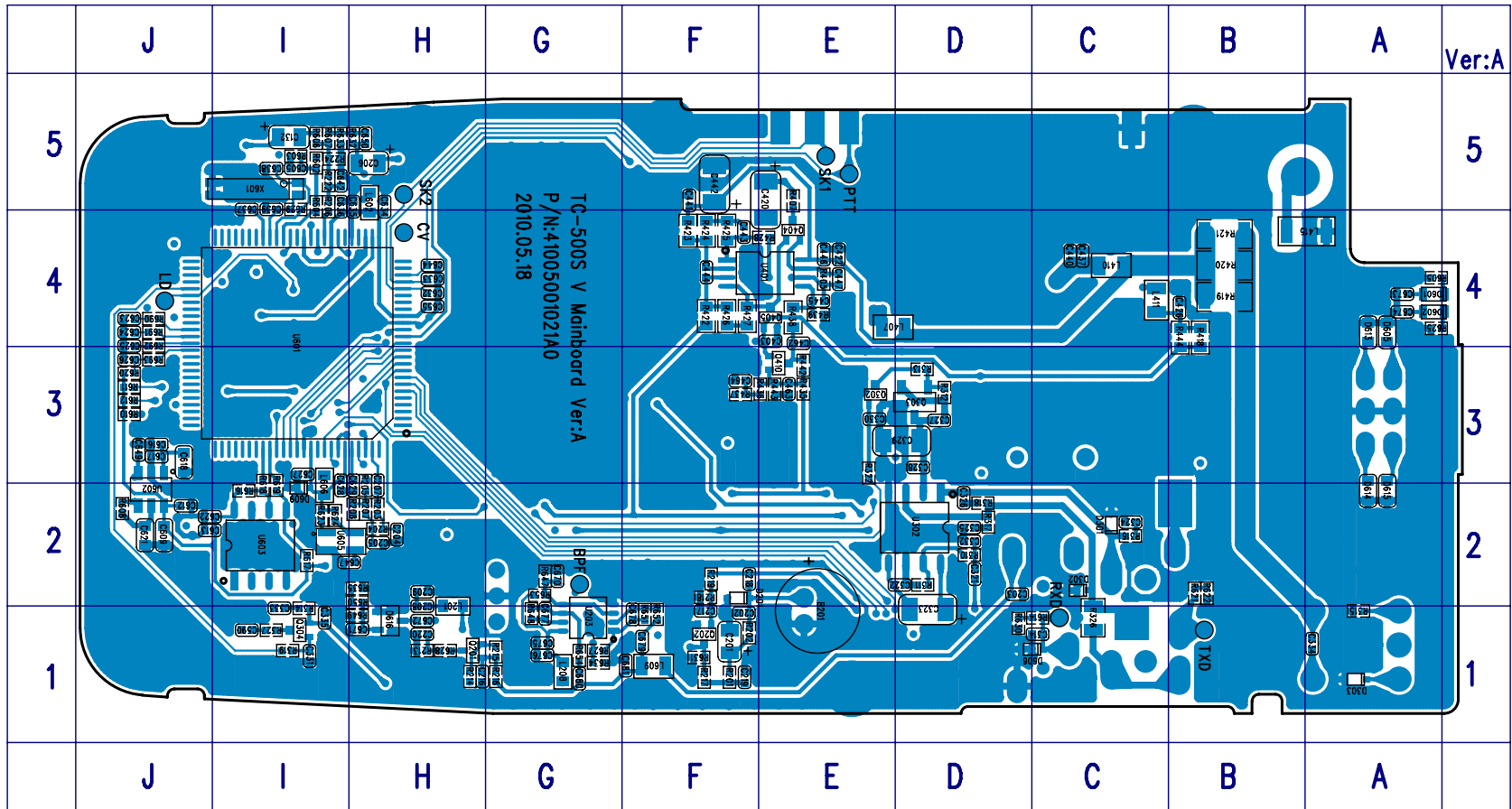
# TC-508 UHF PCB View Bottom Layer



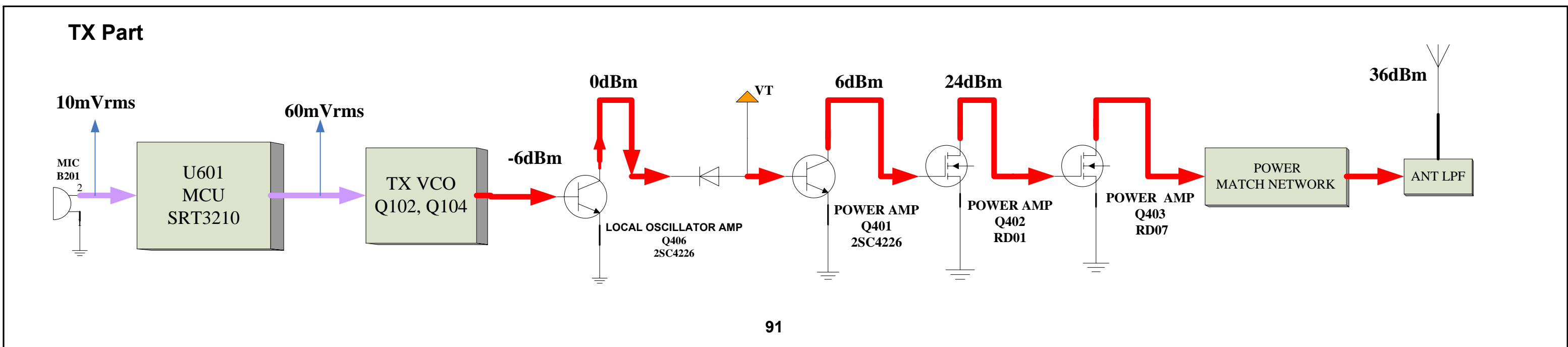
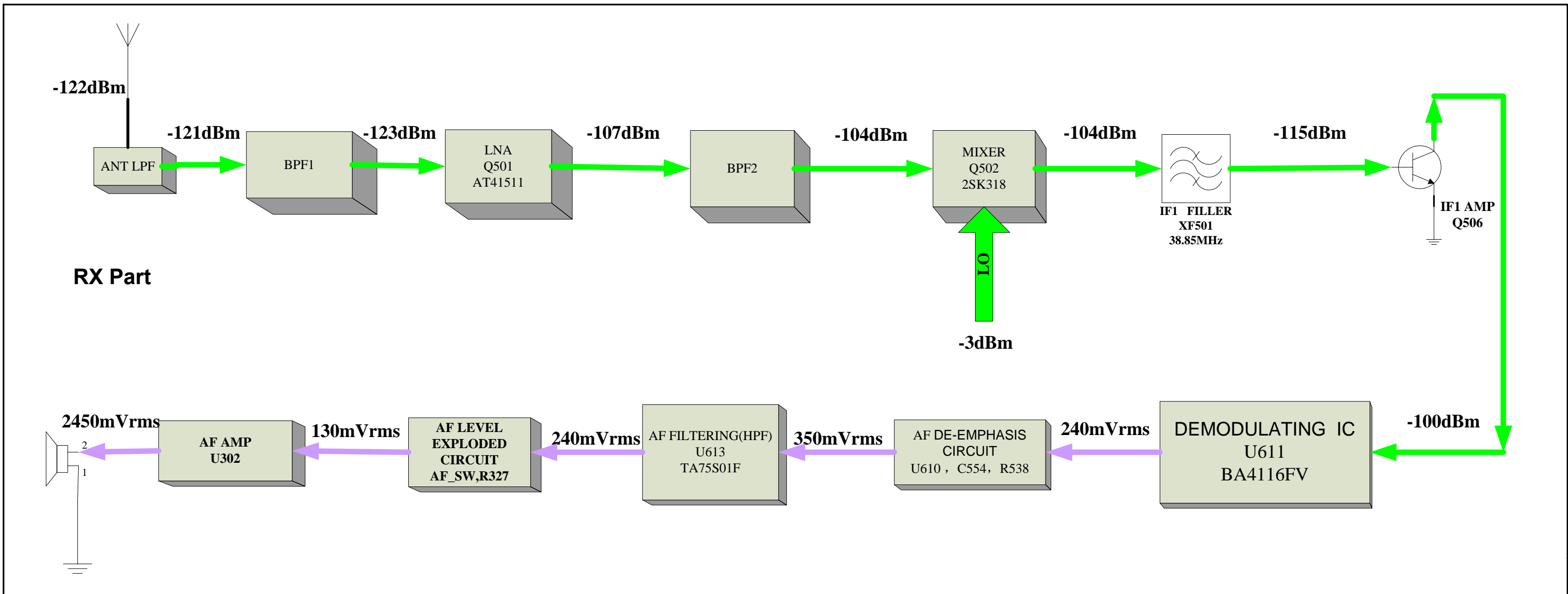
# TC-508 VHF PCB View Top Layer



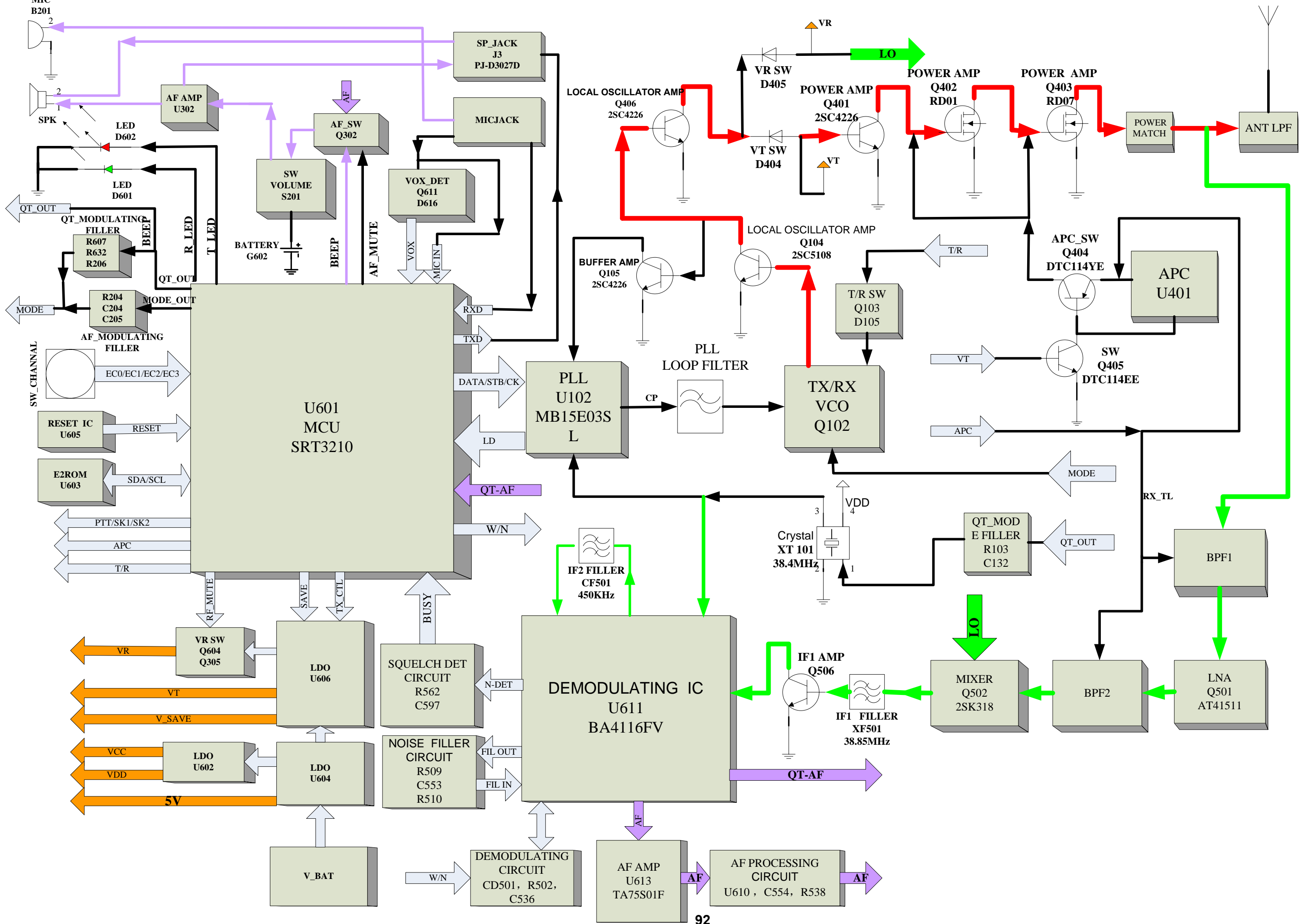
# TC-508 VHF PCB View Bottom Layer



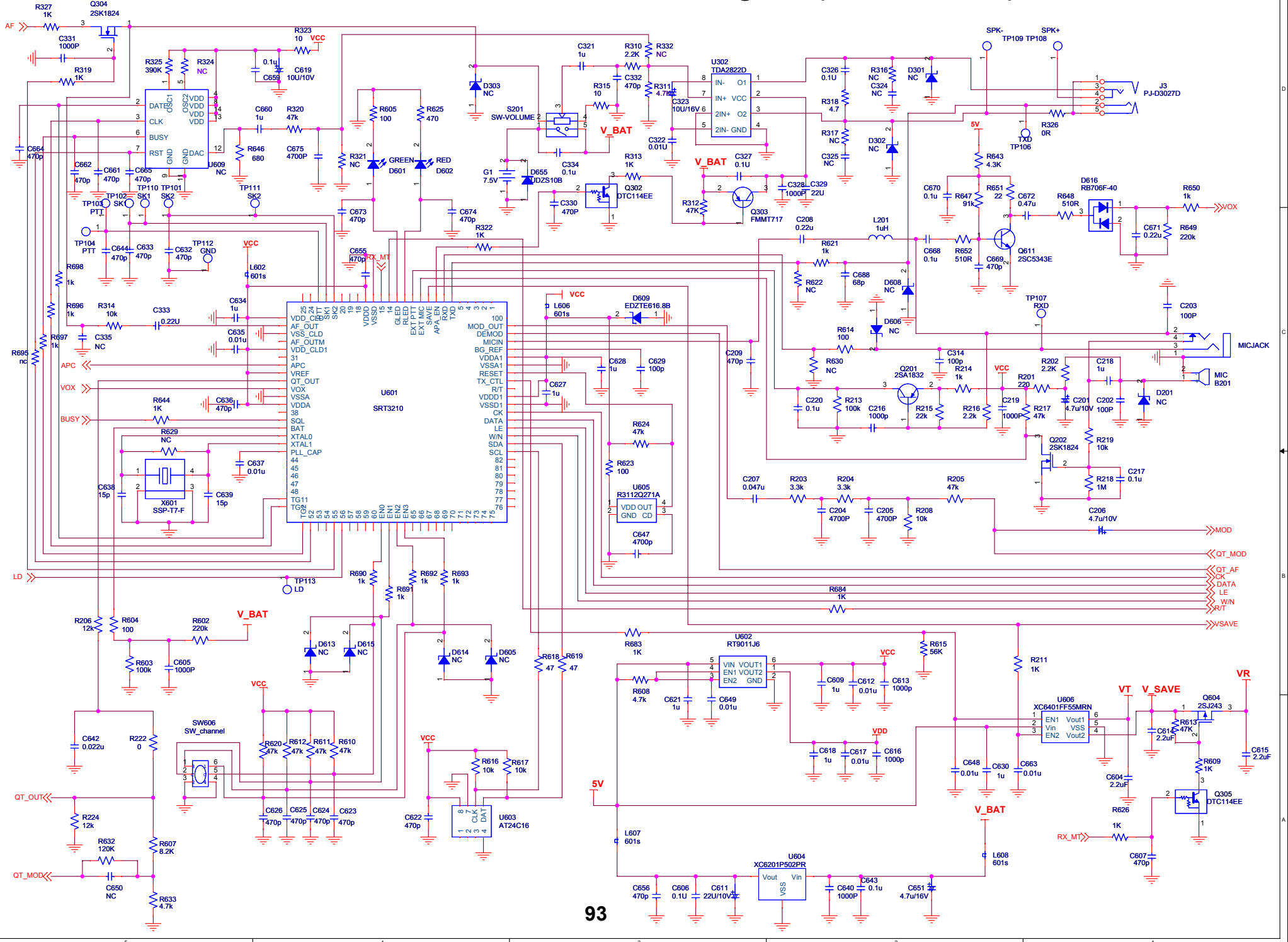
# TC-508 UHF/VHF Level Diagram



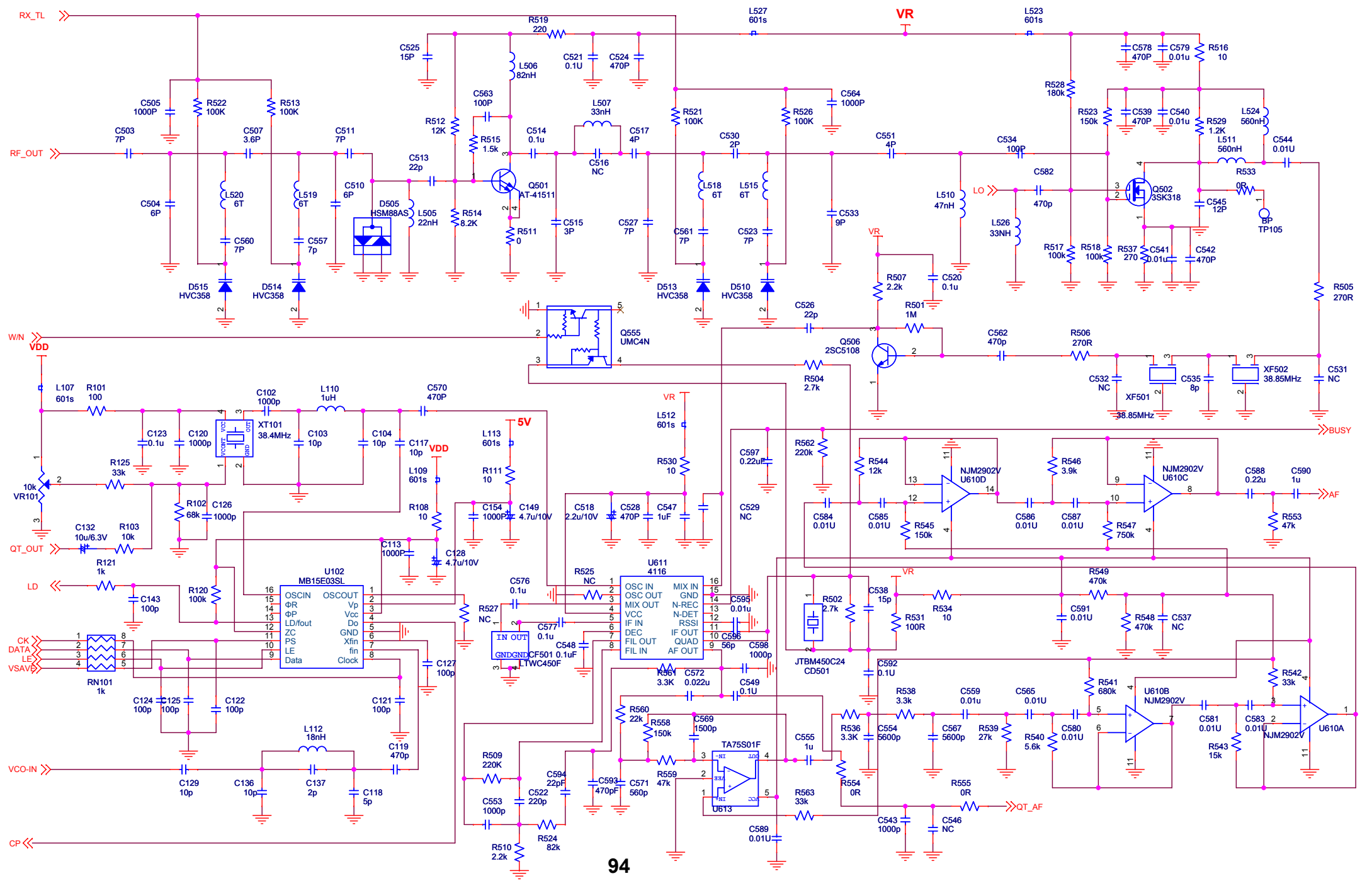
# TC-508 UHF/VHF Block Diagram



# TC-508 UHF Schematic Diagram (MCU&POWER)

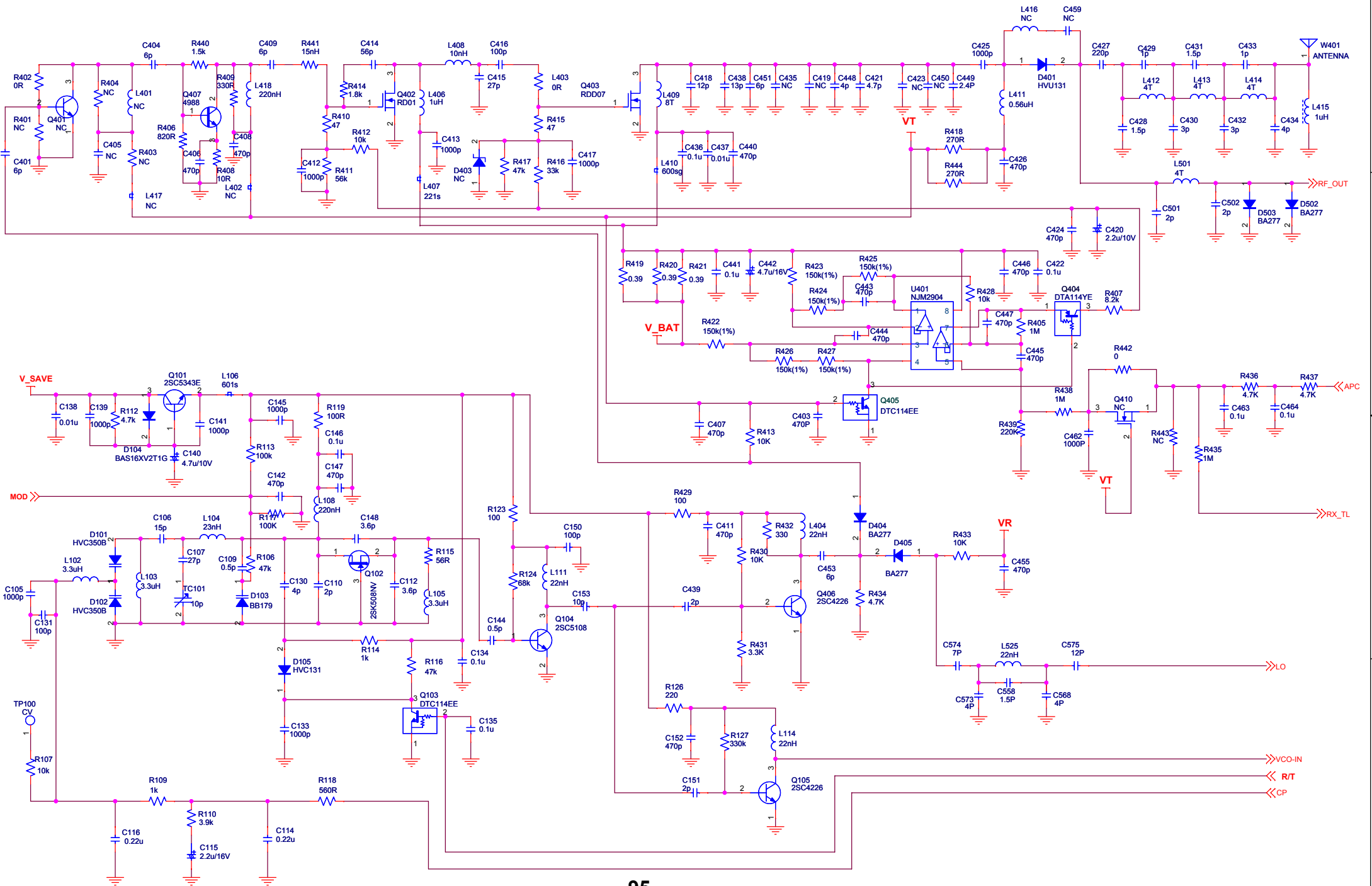


# TC-508 UHF Schematic Diagram (PLL&RX)

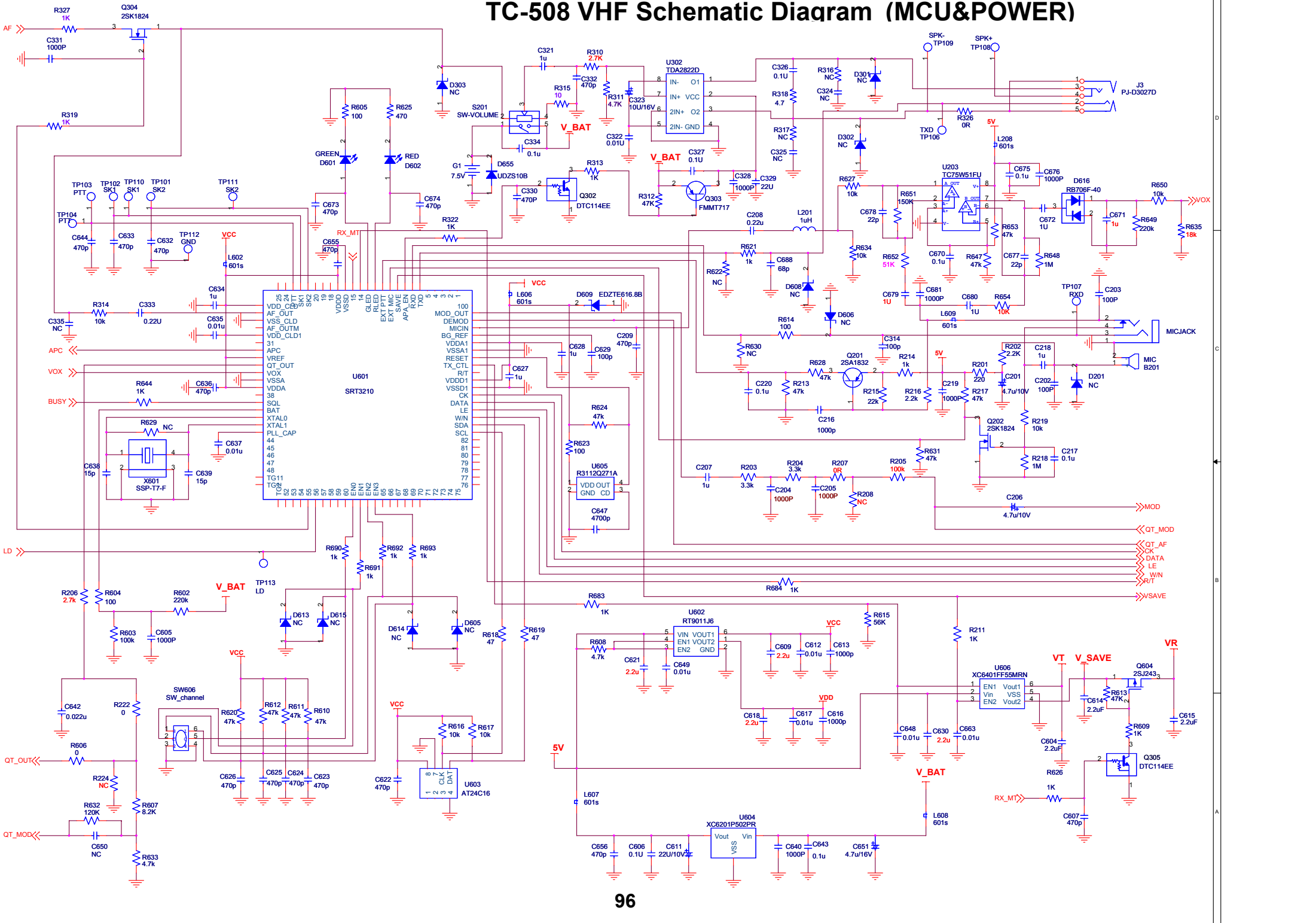




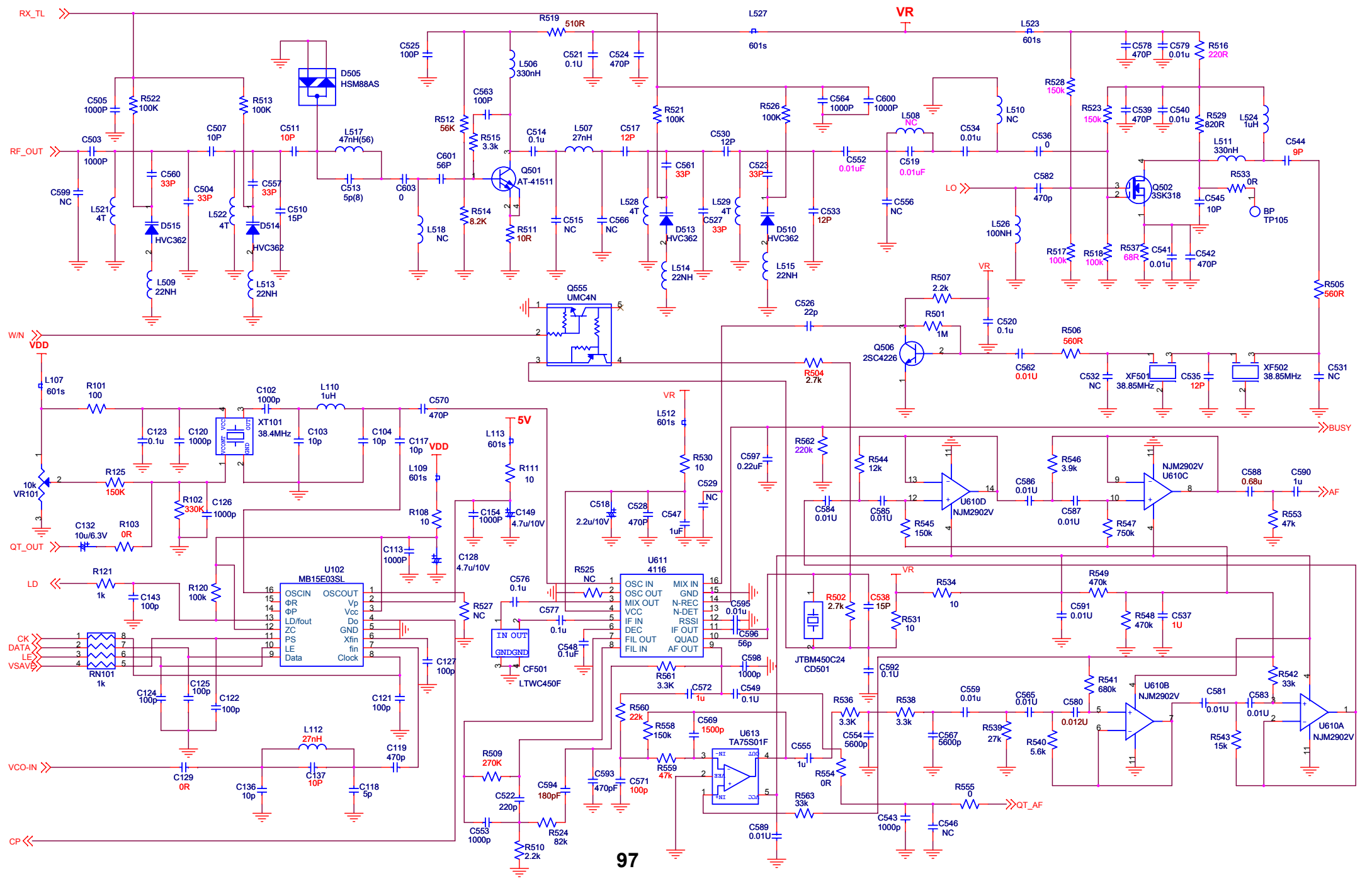
# TC-508 UHF Schematic Diagram (TX&VCO)



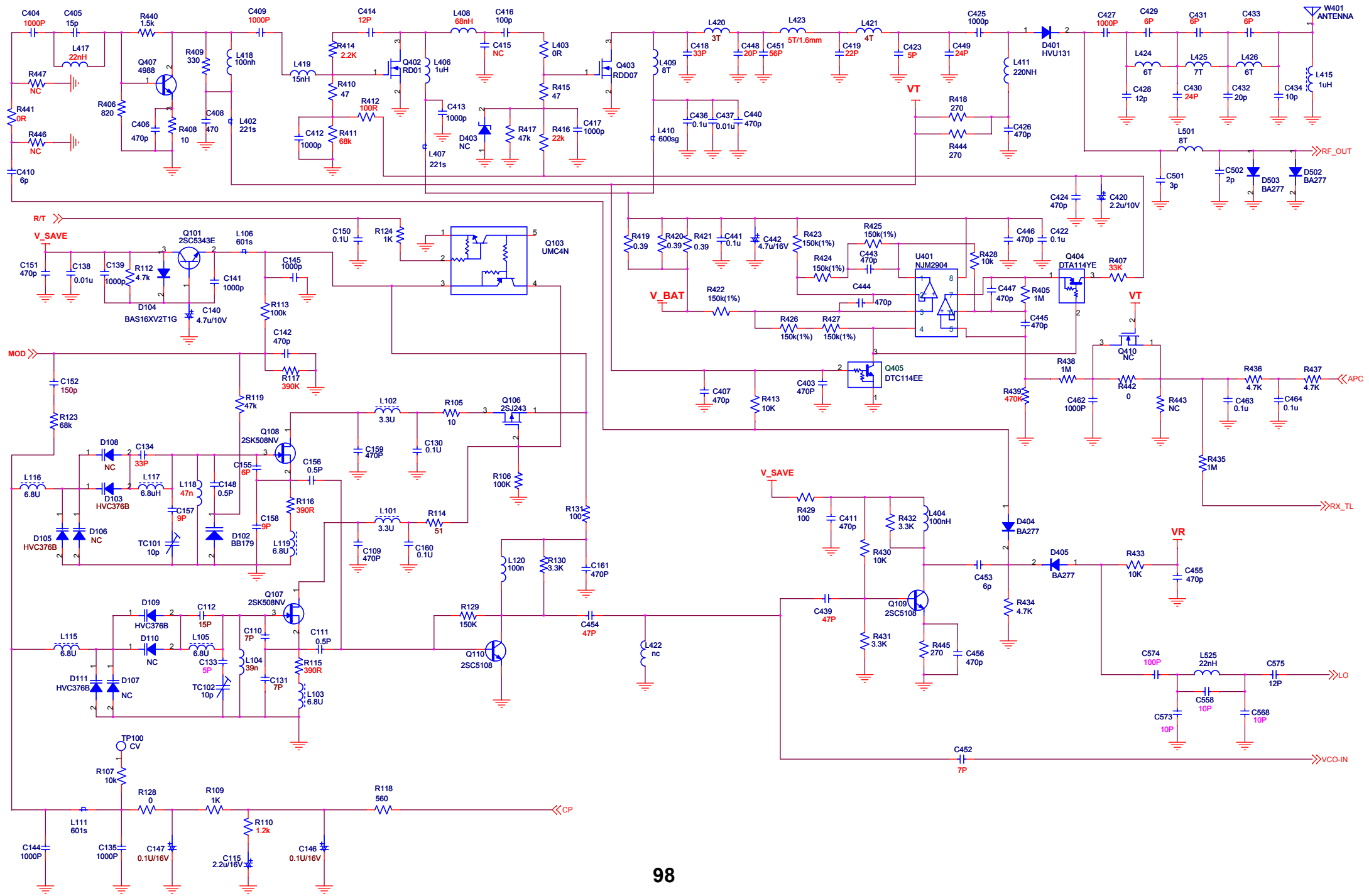
# TC-508 VHF Schematic Diagram (MCU&POWER)



# TC-508 VHF Schematic Diagram (PLL&RX)



# TC-508 VHF Schematic Diagram (TX&VCO)



**Specifications**

<b>General</b>	
Frequency Range	UHF1: 400-420MHz UHF2: 450-470MHz UHF3: 430-450MHz VHF: 146-174MHz
Channel Capacity	16
Channel Spacing	25KHz/ 12.5KHz
Operating Voltage	7.4V
Battery	1650mAh Li-Ion battery
Battery Life (5-5-90 Duty Cycle)	14 hours
Operating Temperature	-25°C ~+60°C
Dimensions (HxWxD) (with standard battery, without antenna)	113mmx 54mmx35mm
Weight (with standard antenna & battery)	280g
Frequency Stability	±2.5ppm
<b>Receiver</b>	
Sensitivity	≤0.251uV/0.282uV
Adjacent Channel Selectivity	65dB/55dB
Intermodulation	60dB
Spurious Response Rejection	65dB
Rated Audio Power Output	0.5W (Speaker impedance: 16 ohm)
Rated Audio Distortion	≤5% (0.5W)
<b>Transmitter</b>	
RF Power Output	4W/2W
Spurious and Harmonics	≤-26dBm
Modulation Limiting	≤5KHz (25KHz) ≤2.5KHz (12.5KHz)
FM Noise	40dB/35dB
Modulation Distortion	≤5%

**NOTE:** All Specifications are tested according to applicable standards, and subject to change without notice due to continuous development.

**HYT**

is the trademark or registered trademark of  
Hytera Communications Corp., Ltd  
© 2012 Hytera Corp., Ltd. All Rights Reserved.

Address: HYT Tower, Hi-Tech Industrial Park North, Beihuan  
RD., Nanshan District, Shenzhen, China  
Postcode: 518057  
<http://www.hytera.com>



8130050800100